

Fresh Living Tip

What to do with 90 pounds of nugget ice every day?
Let us count the ways.

1. Add to smoothies for a silky texture.
2. Use the softer ice setting to make crunch cones or glacier drinks with your favorite flavored syrup.
3. Enjoy the most satisfying iced beverages with an appealing crunch.
4. Serve fresh seafood on a bed of nugget ice.
5. Chill champagne.
6. Blanch vegetables.
7. Fill up a cooler on the go.
8. Plunge in a recovery ice bath.

FINISH OPTIONS



15" Marvel Nugget Ice Machine

MLNP115

Performance

- Preferred for its satisfying crunch, easy to chew texture and slow melt
- Commercially-rated to produce up to 90 pounds of nugget ice daily and stores 30 pounds
- Engineered for supremely efficient ice production to conserve water and energy consumption
- Shaped in bite-sized 3/4" L x 1/2" H cylindrical ice nuggets
- One of the easiest nugget ice machines to clean
- Factory-installed pump

Convenient Controls

- Digital touch controls with built-in cleaning alerts simplify ownership and maintenance
- Select from five adaptable ice density settings ranging from soft to extra crunchy
- Features easy-to-use settings and options

Fit & Finish

- Elegant midnight black interior and arctic white LED interior lighting
- Reversible door allows for right or left swing for adaptable installation
- (4) height-adjustable leveling legs and black toe kick
- For built-in or freestanding use

Warranty

- 1-year parts and labor warranty and 5-year sealed system parts warranty



With adjustable texture from soft and easy to chew to extra crunchy, this uniquely shaped cylindrical ice is known for its satisfying crunch and slow melt.

DOOR STYLE

Solid Stainless Steel

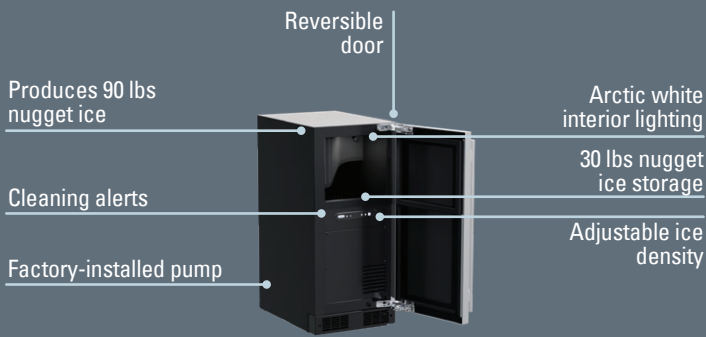
Solid Panel Ready

MODEL NUMBER

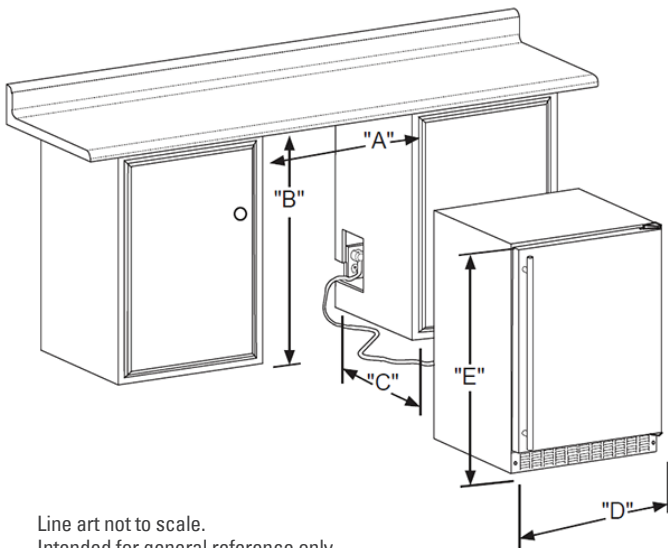
MLNP115-SS01B

MLNP115-IS01A

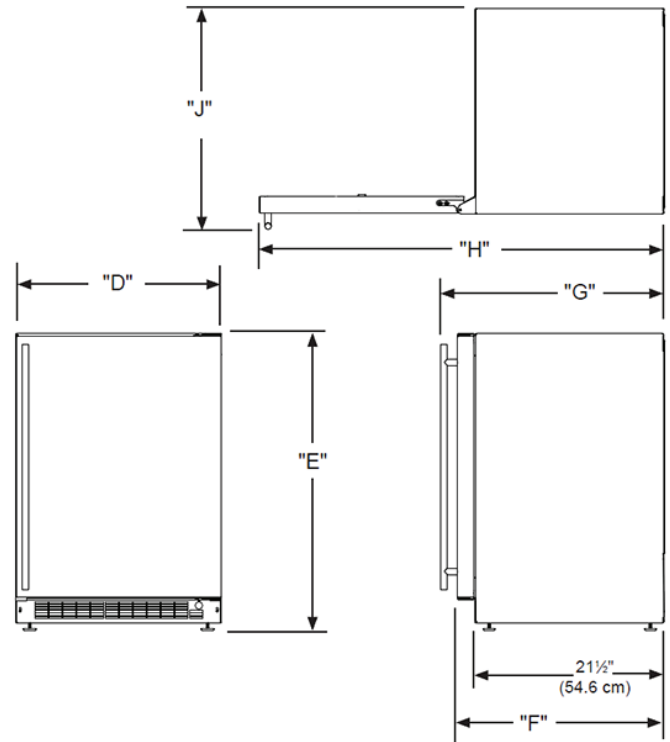




H: 33 3/4" W: 14 7/8" D: 26 7/32" (with handle)



Line art not to scale.
Intended for general reference only.



Rough In Dimensions*

"A"	"B"	"C"
15"	34-1/4" TO 35-1/4"	24"
(38.1 CM)	(87 CM TO 89.5 CM)	(61 CM)

Cabinet Dimensions*

"D"	"E"	"F"	"G"	"H"	"J"
14-15/16"	33-1/8" TO 34-11/16"	23-15/16"*	24-13/16"*	38-3/4"*	17-1/2"*
(37.9 CM)	(84.1 CM TO 88.1 CM)	(58.3 CM)	(63 CM)	(98.4 CM)	(44.4 CM)

*Stainless steel model dimensions only. For panel-ready models, see the owner's guide online at marvelrefrigeration.com.

Capacity	30 lbs
Control Type	Electronic
Sabbath Mode	Yes
Temperature Range	N/A
Handle Style	Slim (handle not included on panel-ready models)
Hinge Type	Reversible
Interior Lighting	White LED
Shelving System	N/A
Toe Grille Finish	Black

Lock	No
Electrical Requirements	115V / 60 Hz / 3.3A
Cord Length	5 FT.
Shipping Dimensions	28" W x 31" D x 37" H
Shipping Weight	101 LBS
Agency Approval	UL
Refrigerant Type	R600a

For comprehensive installation instructions, including panel overlay details, please visit marvelrefrigeration.com to access the owner's guide.

