

NAPOLEON®
FIREPLACES



Ascent™ 46 shown with 3" bevelled trim kit and MIRRO-FLAME™ Porcelain Reflective Radiant Panels

NOW AVAILABLE



ASCENT™ 46

DIRECT VENT GAS FIREPLACE



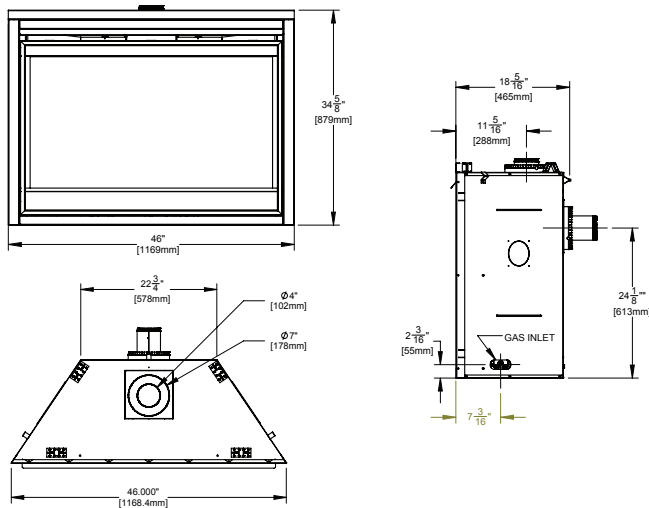
For more information or to place an order call 1-800-461-5581 or visit napoleonfireplaces.com

Ascent™ 46 Now Available

Napoleon's Ascent™ 46 is now the largest single view fireplace in the Ascent™ Series and is offered as a 4" x 7" top and rear vent model. Offering a multitude of options with decorative fronts, trim kits, decorative brick panels and MIRRO-FLAME™ Reflective Radiant Panels, the Ascent™ 46 can be designed to your personal taste and match any home décor. An approved safety barrier comes standard on the Ascent™ 46.

Product Features

- Up to 22,000 BTU's
- 34 5/8" h x 46" w x 18 5/16" d
- Exclusive PHAZER™ log set and glowing ember bed are the most realistic in the industry
- Pan style burner
- Back-up control system ensures reliable use, even during power failures
- Millivolt or Electronic ignition systems available
- Flex connector complete with shut off (Electronic ignition system only)
- Optional Sandstone Decorative Brick Panels
- Optional MIRRO-FLAME™ Porcelain Reflective Radiant Panels
- Optional decorative fronts and trim kits
- Optional remote control
- Optional blower kit
- Pre-wired for wall switch
- Optional AMBIENT-GLOW metal fibers are designed to enhance the glowing embers on gas fires



Model	BTU'S (Input)	Top & Rear Venting	Height		Front Width		Depth		Glass Size		Efficiency	Blower
			Actual	Framing	Actual	Framing	Actual	Framing	Height	Width		
B46	22,000	4" & 7"	34 5/8"	35"	46"	46 1/2"	18 5/16"	18 9/16"	23 11/16"	41 11/16"	73.3%	Optional

Certified under Canadian and American National Standards
 Figures may vary with individual conditions such as floor plan layout, insulation value/heat loss of the house and geographical location.

Consult your owner's manual for complete installation instructions, accurate framing dimensions and proper clearances to combustible material. Check all local and national building codes and gas regulations. All specifications are subject to change without prior notice due to on-going product improvements. Products may not be exactly as shown. Napoleon™ is a registered trademark of Wolf Steel Ltd. © Wolf Steel Ltd.



24 Napoleon Road, Barrie, Ontario, Canada L4M 0G8
 103 Miller Drive, Crittenden, Kentucky, USA 41030
 7200 Trans Canada Highway, Montreal, Quebec, Canada H4T 1A3
 Tel: 705-721-1212 Fax: 705-722-6031
 napoleonfireplaces.com



Ascent™ 46

Features/Options/Accessories



Heritage Decorative Front



Zen Decorative Front



Premium 3" Bevelled Trim Kit



Media Enhancement Kits

Variety of mixtures with Beach Fire, Shore Fire and Mineral Rock kits



Decorative Brick Panels

Porcelain Reflective Radiant Panels and Sandstone



Convenient Remote Control



Napoleon™, leaders in design & technology have developed safety screens with aesthetically pleasing designs for every gas appliance to ensure ultimate safety and peace of mind for your family.

Authorized Dealer

