



24" ADA-COMPLIANT SERIES
Refrigerator



ecofriendly
R600a Refrigerant



| | |
|-----------|--|
| JOB | |
| AREA | |
| ITEM NO. | |
| MODEL NO. | |



Glass Door Model



Solid Door Model

| MODELS | DESCRIPTION |
|----------------------|--|
| HA24RB-4-1R/L | Indoor ADA Refrigerator Solid Stainless Steel Door |
| HA24RB-4-2R/L | Indoor ADA Refrigerator Solid Panel Ready Door |
| HA24RB-4-3R/L | Indoor ADA Refrigerator Stainless Steel Glass Door |
| HA24RB-4-4R/L | Indoor ADA Refrigerator Panel Ready Glass Door |

KEY PRODUCT FEATURES AND BENEFITS

- Industry's largest selection of ADA compliant models for accessible and aging in place designs
- 800 BTU/hr capacity delivers commercial grade cooling performance
- Variable speed compressor minimizes sound, up to 30% quieter than competitors
- Commercial-grade all stainless steel interior provides superior durability and easy cleaning; black vinyl exterior for built in applications
- Full extension shelving provides faster and safer product access with no reaching in the back of the cabinet; shelves fully extend on vibration dampened stainless steel ball-bearing glides

Quick Features:

- Industry's best full 6 year warranty for owner ease of mind
- Available with stainless steel or panel ready door to match your design style
- Audible door alarm warns user if door is held open
- Selectable blue or white LED lighting
- R600a Natural Refrigerant offers maximum energy efficiency with zero ozone depletion potential
- Storage for up to 108 cans



24" ADA-COMPLIANT SERIES
Refrigerator

| MODEL NUMBERS | | HA24RB |
|----------------------------------|-----------------------------|--|
| MODEL DESCRIPTION | | 24" Indoor Refrigerator |
| ATTRIBUTES | | |
| Perlick Anti-Condensation System | | NO |
| Energy Star Certified | | YES |
| OVERALL DIMENSIONS | Width - in. (mm) | 23-7/8" (606 mm.) |
| | Depth - in. (mm) | 24" (610 mm.) |
| | Height - in. (mm) | 32" (813 mm.) |
| OPENING DIMENSIONS | Width - in. (mm) | 24" (610 mm.) |
| | Depth - in. (mm) | 24-7/8" (632 mm.) |
| | Height - in. (mm) | 32-1/4" (819 mm.) |
| INTERNAL VOLUME Net. Cu. Ft. (L) | | 4.8 cu. ft total |
| SHIPPING WEIGHT Lbs. (kg.) | | 181 lbs (82.27 kg.) |
| ELECTRICAL SPECIFICATIONS | Electrical Supply | 115 VAC/60 Hz/1 Ph |
| | Running Load Amps | 2.2 amps |
| | Electrical Connection | Cord connected |
| | Cord Plug Type | NEMA 3 Prong 5-15P |
| | Cord Length | 6' |
| | Defrost Initiation | Automatic |
| | Defrost Type | Off cycle |
| | Thermostat | Digital |
| REFRIGERATION SPECIFICATIONS | Refrigerant | R600a (50g) |
| | Expansion Device | Capillary Tube |
| | Temperature Settings F°(C°) | 33° (0.5°) - 48° (8.8°) Factory Set Point 36° (2.2°) |
| | Heat Rejection (at 75°F) | 450 BTU/hr |
| | Pull Down Capacity | 800 BTU/hr |
| | Front Vented | Yes |
| PLUMBING | | None Required |

Installation Notes: To achieve 24" install depth, place electrical connection adjacent to the installation cavity.

ACCESSORIES

| MODEL NOS. | DESCRIPTION |
|------------|--|
| (L) | Factory Installed Lock |
| 67164 | 6" Toe Kick Kit (includes riser) for HA24 models |
| 66736 | Caster Kit for HP24/HC24/HA24 models |
| RS-24-24D | Divider Shelf for HP24/HC24/HA24 models |

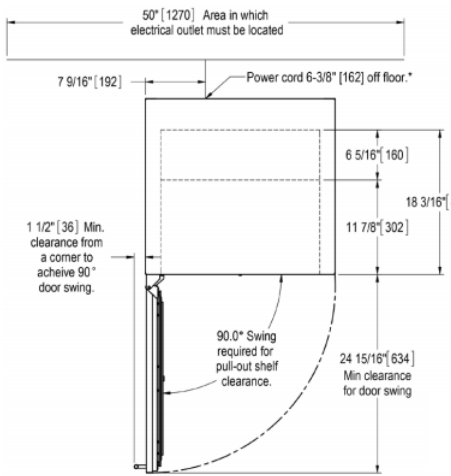
Perlick accessories are available for purchase through an authorized Perlick dealer. For a full list of accessories and to find a dealer near you, visit perlick.com.



24" ADA-COMPLIANT SERIES

Refrigerator

| CUSTOMER MODEL NUMBER | REGULATORY MODEL NUMBER | Hinge Side | Lock |
|-----------------------|-------------------------|------------|------|
| HA24RB-4-1L | HA24RB4C-00-SLS0R | Left | No |
| HA24RB-4-1R | HA24RB4C-00-SRS0R | Right | No |
| HA24RB-4-2L | HA24RB4C-00-PL00R | Left | No |
| HA24RB-4-2R | HA24RB4C-00-PR00R | Right | No |
| HA24RB-4-3L | HA24RB4C-00-TLS0R | Left | No |
| HA24RB-4-3R | HA24RB4C-00-TRS0R | Right | No |
| HA24RB-4-4L | HA24RB4C-00-RL00R | Left | No |
| HA24RB-4-4R | HA24RB4C-00-RR00R | Right | No |
| HA24RB-4-1LL | HA24RB4C-00-SLSLR | Left | Yes |
| HA24RB-4-1RL | HA24RB4C-00-SRSLR | Right | Yes |
| HA24RB-4-2LL | HA24RB4C-00-PL0LR | Left | Yes |
| HA24RB-4-2RL | HA24RB4C-00-PR0LR | Right | Yes |
| HA24RB-4-3LL | HA24RB4C-00-TLSLR | Left | Yes |
| HA24RB-4-3RL | HA24RB4C-00-TRSLR | Right | Yes |
| HA24RB-4-4LL | HA24RB4C-00-RL0LR | Left | Yes |
| HA24RB-4-4RL | HA24RB4C-00-RR0LR | Right | Yes |



Door Models

