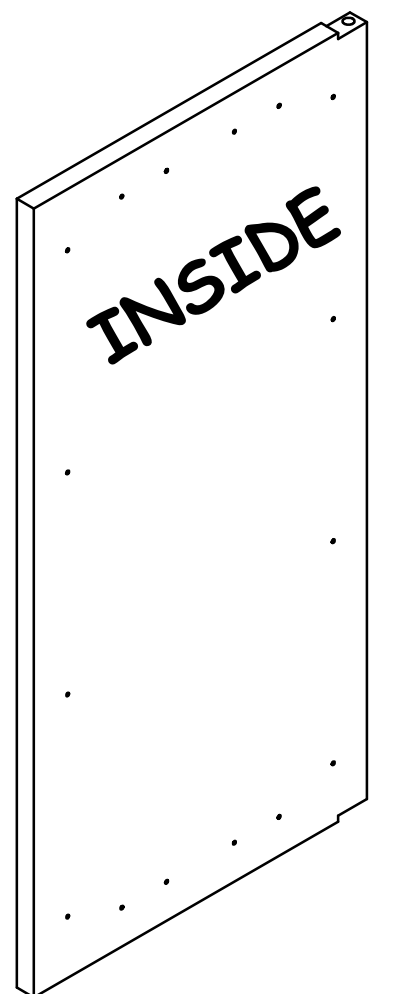


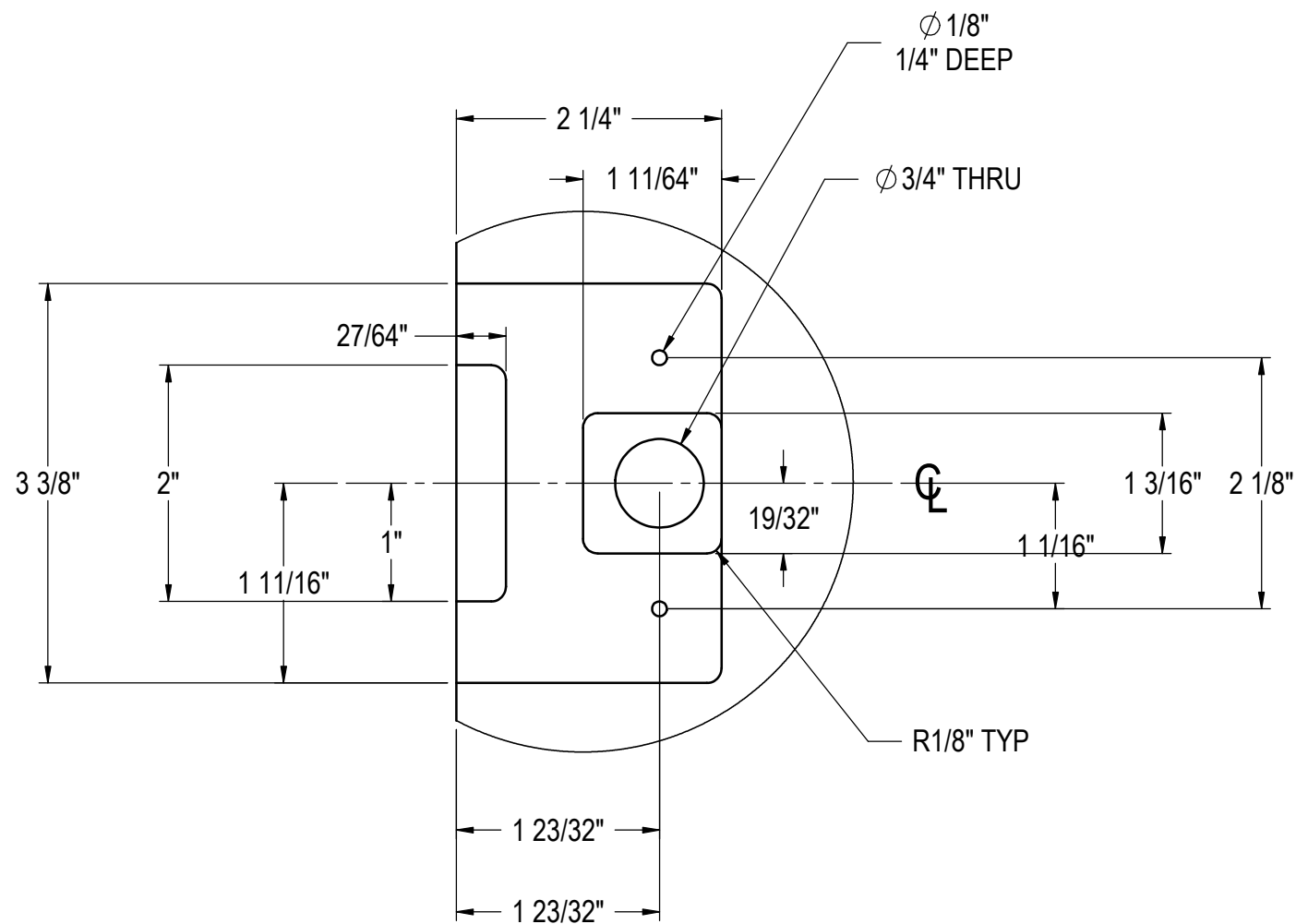
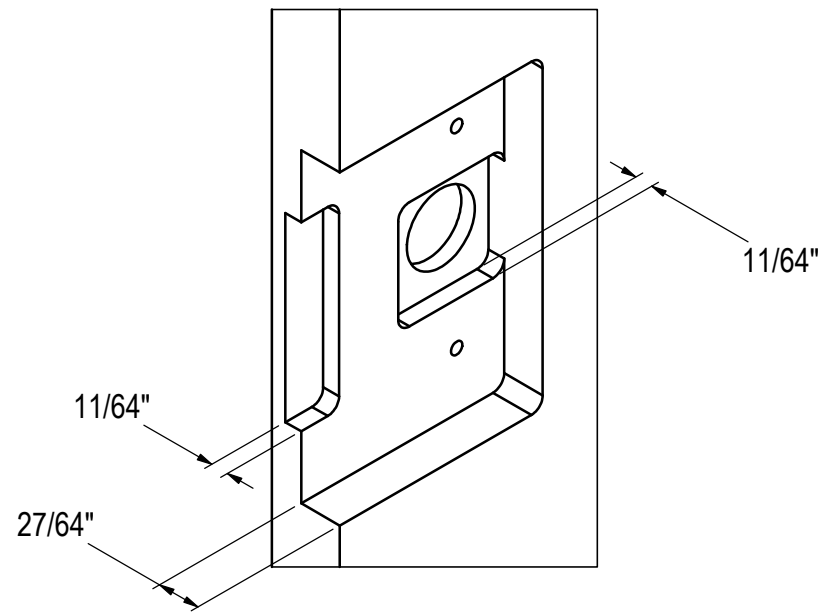
DETAIL A
SCALE 1:1



RELEASE FOR PRODUCTION		
A	11/10/2015	JMP
REVISIONS		

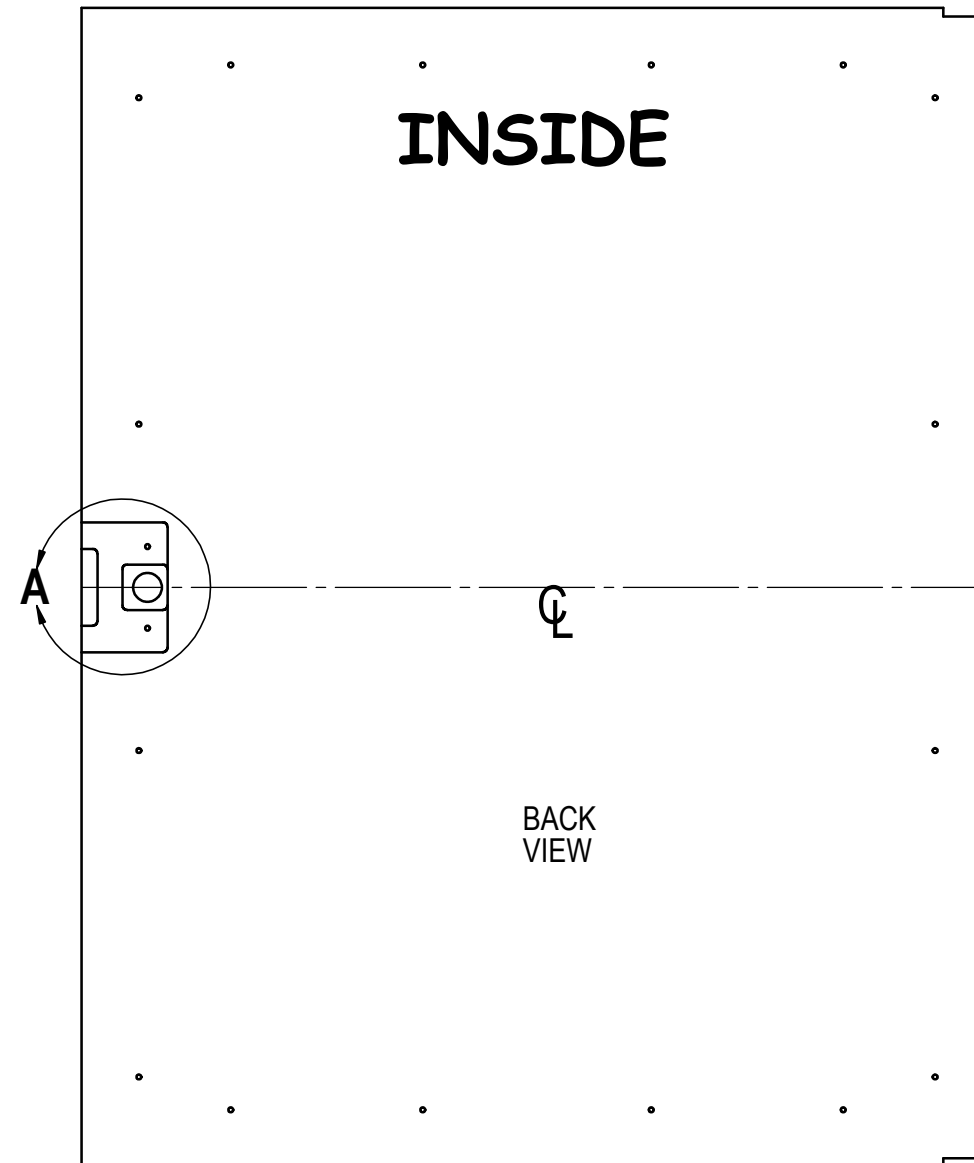
<small>UNLESS OTHERWISE SPECIFIED: DIMENSIONS ARE IN INCHES TOLERANCES: .X = ±.05, .XX = ±.01, .XXX = ±.005, ANGULAR: ±.5°, FRACTIONS: ±1/64 BREAK SHARP EDGES - .015 X 45°. RADIUS SHARP FILLETS - .015 TO .031</small>	SIGNATURES	DATE	Perlick Corporation Milwaukee, Wisconsin	
	DESIGNED JMP	11/10/2015		
	DRAWN JMP	11/10/2015	SOLID WOOD OVERLAY 15" HP & HC DOOR	
	CHECKED	11/10/2015		
MATERIAL: WOOD	QTY.:	FINISH:	REFERENCE:	DWG NO.
			PART NO. 68134A-4	68134A
			PURCHASE REC.:	SCALE = 1:5 SHEET 4 OF 16

**NOTE: VALID FOR ANY ORDERS
ENTER ON OR AFTER JAN. 1, 2016**



DETAIL A
SCALE 1 : 1.5

**NOTE: VALID FOR ANY ORDERS
ENTER ON OR AFTER JAN. 1, 2016**



RELEASE FOR PRODUCTION

A	11/10/2015	JMP
---	------------	-----

REVISIONS

UNLESS OTHERWISE SPECIFIED:

DIMENSIONS ARE IN INCHES
TOLERANCES:
.X = ±.05,
.XX = ±.01,
.XXX = ±.005,
ANGULAR: ±.5°, FRACTIONS: ±1/64
BREAK SHARP EDGES - .015 X 45°.
RADIUS SHARP FILLETS - .015 TO .031

SIGNATURES	DATE
DESIGNED JMP	11/10/2015
DRAWN JMP	11/10/2015
CHECKED	11/10/2015

Perlick Corporation
Milwaukee, Wisconsin

TITLE:
**SOLID WOOD OVERLAY
RESIDENTIAL DOORS W/LOCKS**

MATERIAL:

QTY.:

FINISH:

REFERENCE:

PART NO.

DWG NO.

68134A

PURCHASE REC.:

SCALE = 1:5

SHEET 15 OF 16

THIS DOCUMENT / PUBLICATION / SOFTWARE / DRAWING CONTAINS PROPRIETARY INFORMATION WHICH IS THE PROPERTY OF THE PERLICK CORPORATION. IT MAY NOT BE REPRODUCED OR TRANSMITTED IN ANY FORM, ELECTRONIC OR MECHANICAL, INCLUDING PHOTOCOPYING, RECORDING, OR USED IN ANY INFORMATION STORAGE, TRANSMISSION, OR RETRIEVAL SYSTEM, WITHOUT WRITTEN PERMISSION FROM THE PERLICK CORPORATION. COPYRIGHT 2001 PERLICK CORPORATION. ALL RIGHTS RESERVED.