



Additional Options

- Accessory panels are designed for easy installation on Integrated models
- Stainless lock model available



Stainless Handleless Panel



Stainless Lock Model

Key Features

- **Industry Exclusive: Full-depth lower interior maximizes storage options**
- **Industry Leading: Variable speed compressor delivers maximum energy efficiency, faster temperature response, and quieter operation**
- Stainless steel interior
- Stainless steel cabinet, toe kick, and accents
- U-Adjust™ Interior: 19 adjustable positions
- Seven removable, full-extension wine racks
- Wine racks accommodate a variety of bottle shapes and sizes and can be configured to store champagne and magnum bottles
- Convection cooling system provides a quick cool down and consistent temperature
- Temperature range: 33°F - 70°F

- Adjustable bright white or blue LED lighting
- Soft close door with articulating hinge
- Volume of 2.9 cu ft holds up to 28 wine bottles (750 ml)
- Digital touch pad control with blue LED display
- Stainless steel handle (7/8" diameter)
- Integrated model requires 3/4" custom door panel and handle (not supplied by U-Line)
- Field reversible door is shipped right-hand hinged
- Built-in or freestanding
- Four adjustable leveling legs

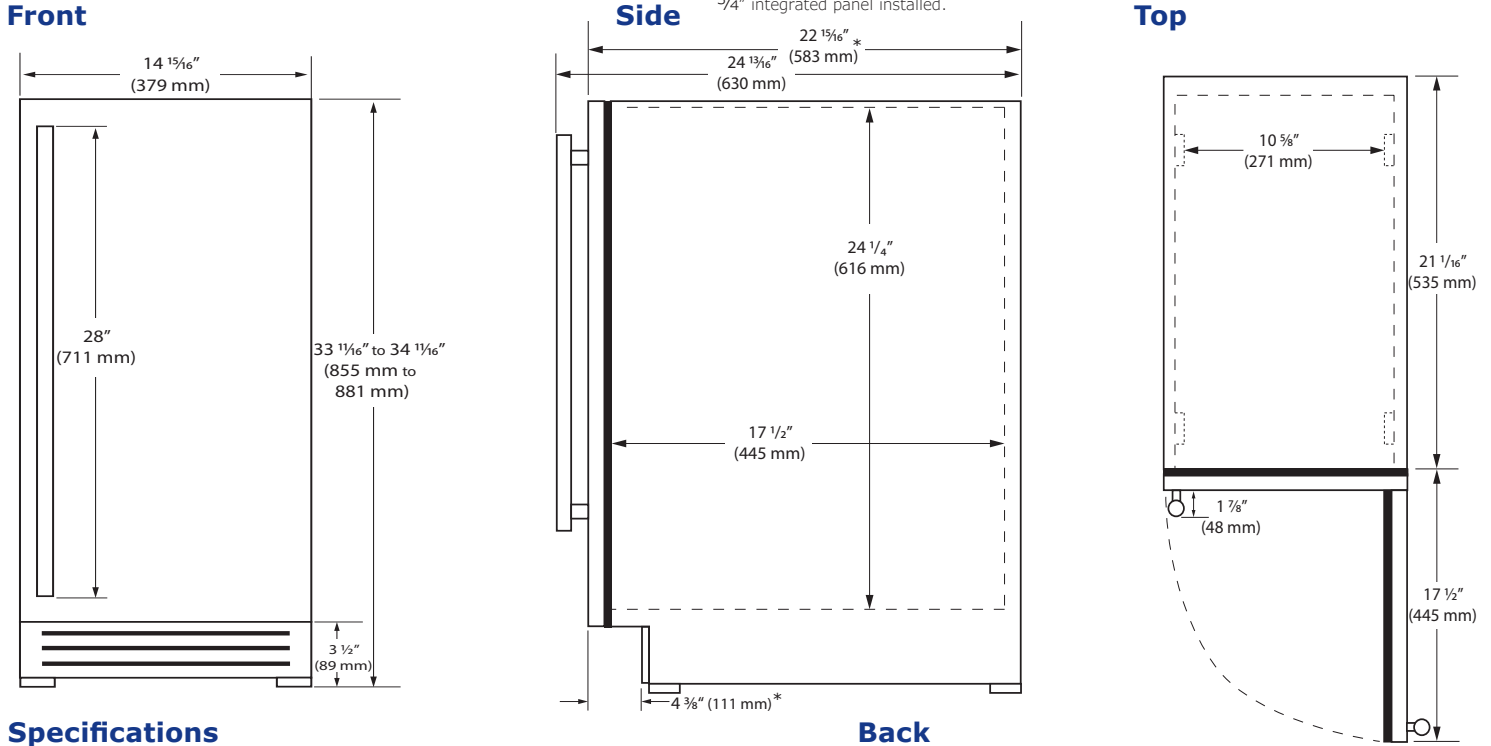
MODEL DETAILS

Model	Voltage/Hz	Door Swing	Finish	Shipping Weight
UHC515-SG01A	115 / 60	Field Reversible	Stainless Frame	105 lb
UHC515-SG41A	115 / 60	Right-Hand Hinged	Stainless Frame (with lock)	105 lb
UHC515-SG51A	115 / 60	Left-Hand Hinged	Stainless Frame (with lock)	105 lb
UHC515-IG01A	115 / 60	Field Reversible	Integrated Frame	103 lb
UHC515-IS01A	115 / 60	Field Reversible	Integrated Solid	88 lb

ACCESSORIES

Model	Description	Finish	Shipping Weight
ULAGRILLE15	Adjustable Grille (Accepts Integrated Panel)	Black	1.5 lb
ULASHP15FRAME*	Stainless Handleless Panel Frame	Stainless	5 lb
ULASHP15SOLID*	Stainless Handleless Panel Solid	Stainless	6 lb

*Installs on integrated models.



Specifications

Model	HWC515
Amps: Running	1.2
Capacity: Bottle (12 oz)	N/A
Capacity: Can (12 oz)	N/A
Capacity: Volume (cu ft)	2.9
Capacity: Wine Bottle (750 ml)	28
Dimensions: Product Depth	22 15/16" / 583 mm
Dimensions: Product Height (Min.)	33 11/16" / 855 mm
Dimensions: Product Width	14 15/16" / 379 mm
Energy Consumption: Avg. Per Year	255 - 285 kWh
ENERGY STAR (glass door)	No
ENERGY STAR (solid door)	Yes
Product Weight: Max	105 lb
Refrigerant Type:	R600a
Sabbath (Star K Certified)	Yes
Temperature Range	33°F - 70°F

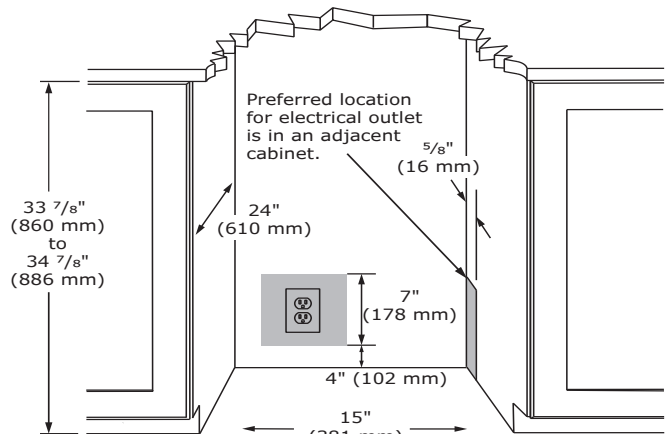
Warranty

- 1 Year (parts & labor) / 5 year sealed system (parts)
- **2 Year (parts & labor) / 5 year sealed system (parts) upgrade at no cost with product registration**



See complete warranty for details

Cabinet Cut-Out



Installation Notes

- No additional clearance is needed for ventilation
- Do not obstruct front grille air flow



Please visit u-line.com to view this model's User Guide & Service Manual. All Specifications are subject to change without notice.