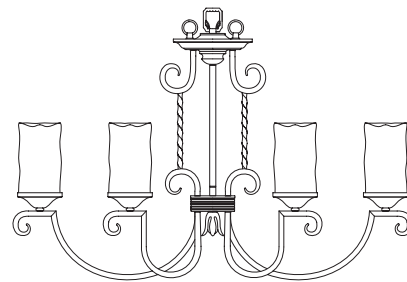
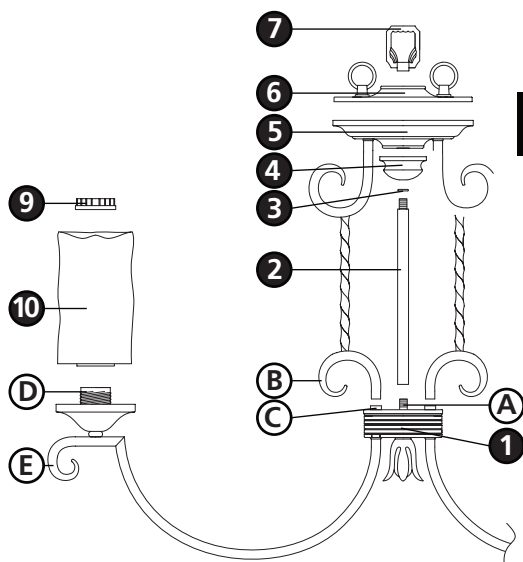


Family: Casa | Item No. 3508 OL



Drawing 1 - Glass Installation



▼ start here

1

1. Find a clear area in which you can work.
2. Unpack fixture and glass from carton.
3. Carefully review instructions prior to assembly.

*** The construction of this fixture will be accomplished by first assembling the main body of the fixture, installing the mounting hardware, making all necessary electrical connections, hanging the fixture from the ceiling, and then installing the glass.

SAFETY WARNING: READ WIRING AND GROUNDING INSTRUCTIONS (I.S. 18) AND ANY ADDITIONAL DIRECTIONS. TURN POWER SUPPLY OFF DURING INSTALLATION. IF NEW WIRING IS REQUIRED, CONSULT A QUALIFIED ELECTRICIAN OR LOCAL AUTHORITIES FOR CODE REQUIREMENTS.

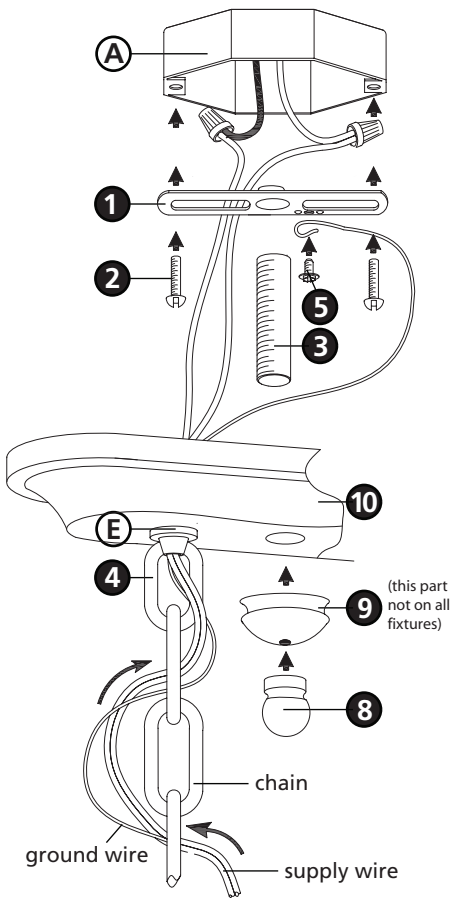
2

1. To assemble main body, thread center stem (2) onto nipple (A) and tighten.
2. Thread ring nut (3) down onto center stem (2).
3. Slip bottom cap (4) onto center stem (2).
4. Slip scroll and canopy assembly (5) onto center stem (2). Making sure the end of scroll (B) set into square ring (C).
5. Slip canopy cover (6) onto center stem (2). Making sure the edges fit over the edge of scroll and canopy assembly (5).
6. Thread loop (7) onto end of center stem (2) and tighten to secure assembly.
7. Spread arms (E) until they are equally spaced 60 degrees apart.
8. Please refer to the hanging instruction sheet (I.S. 19-75) provided to hang fixture. Then refer back to this sheet to install glass.

3

1. To install glass, remove socket ring (9) from socket (D).
2. Slip glass (10) over socket (D).
3. Thread socket ring (9) back onto socket (D) to secure glass (10).
4. Fixture can now be lamped accordingly.

Drawing 1 - Fixture Assembly



▼ start here

SAFETY WARNING: READ WIRING AND GROUNDING INSTRUCTIONS (I.S. 18) AND ANY ADDITIONAL DIRECTIONS. TURN POWER SUPPLY OFF DURING INSTALLATION. IF NEW WIRING IS REQUIRED, CONSULT A QUALIFIED ELECTRICIAN OR LOCAL AUTHORITIES FOR CODE REQUIREMENTS.

1

1. Shut off electrical current before starting. If the fixture you are replacing is turned on and off by a wall switch, simply turn the switch off. If not, remove the appropriate fuse (or open the circuit breakers) until the fixture is dead.

- DO NOT restore current - either by fuse, breaker or switch - until the new fixture is completely wired and in place.

2

1. Fasten mounting strap (1) to outlet box (A) with the original outlet box screws (2) - see **Drawing 1**.

2. Thread nipple (3) into mounting strap (1) approximately 3/8" .

3

1. Taking the chain, determine the length you require to hang the fixture.

2. Attach one end of the chain to the top loop of the fixture.

3. Attach other end of chain to loop (4) on canopy.

4

1. Unwrap supply wire and ground wire and weave them up through the chain.

2. Slip supply wire and ground wire through center hole (E) of loop (4).
Note: Get assistance for this step since fixture may be heavy and difficult to hold while attaching the chain.

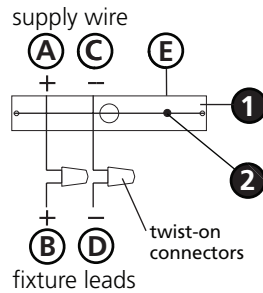
3. Connect ground wire to mounting strap (1) using green ground screw (5).

4. Make electrical connections from supply wire to fixture lead wires. Refer to instruction sheet (I.S. 18) and follow all instructions to make all necessary wiring connections.

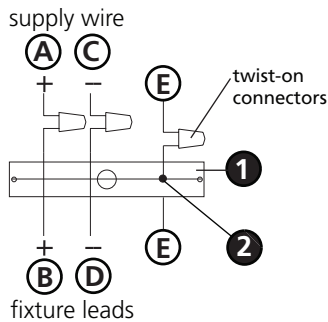
5. Slip canopy (10) over nipple (3) and up against ceiling.

6. Thread decorative finial (8) onto end of nipple (3), or on some fixtures slip decorative cap (9) onto nipple (3) then thread decorative finial (8) onto nipple (3).

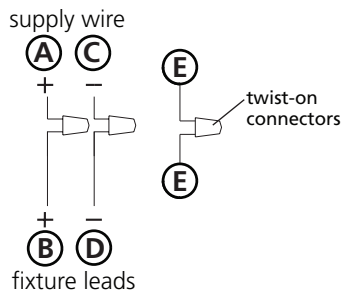
Drawing 1 - Flush Mount



Drawing 2 - Chain Hung



Drawing 3 - Post-Mount



SAFETY WARNING: READ WIRING AND GROUNDING INSTRUCTIONS (I.S. 18) AND ANY ADDITIONAL DIRECTIONS. TURN POWER SUPPLY OFF DURING INSTALLATION. IF NEW WIRING IS REQUIRED, CONSULT A QUALIFIED ELECTRICIAN OR LOCAL AUTHORITIES FOR CODE REQUIREMENTS.

wiring instructions

Indoor Fixtures

1. Connect positive supply wire **(A)** (typically black or the smooth, unmarked side of the two-conductor cord) to positive fixture lead **(B)** with appropriately sized twist on connector - see **Drawings 1 or 2**.
2. Connect negative supply wire **(C)** (typically white or the ribbed, marked side of the two-conductor cord) to negative fixture lead **(D)**.
3. Please refer to the **grounding instructions** below to complete all electrical connections.

Outdoor Fixtures

1. Connect positive supply wire **(A)** (typically black or the smooth unmarked side of the two-conductor cord) to positive fixture lead **(B)** with appropriately sized twist on connector - see **Drawings 2 or 3**.
2. Connect negative supply wire **(C)** (typically white or the ribbed, marked side of the two-conductor cord) to negative fixture lead **(D)**.
3. Cover open end of connectors with silicone sealant to form a watertight seal.
 - If installing a wall mount fixture, use caulk to seal gaps between the fixture mounting plate (backplate) and the wall. This will help prevent water from entering the outlet box. If the wall surface is lap siding, use caulk and a fixture mounting platform specially.
4. Please refer to the **grounding instructions** below to complete all electrical connections.

grounding instructions

Flush Mount Fixtures

For positive grounding in a 3-wire electrical system, fasten the fixture ground wire **(E)** (typically copper or green plastic coated) to the fixture mounting strap **(1)** with the ground screw **(2)** - see **Drawing 1**.

Note: On straps for screw supported fixtures, first install the two mounting screws in strap. Any remaining tapped hole may be used for the ground screw.

Chain Hung Fixtures

Loop fixture ground wire **(E)** (typically copper or green plastic coated) under the head of the ground screw **(2)** on fixture mounting strap **(1)** and connect to the loose end of the fixture ground wire directly to the ground wire of the building system with appropriately sized twist-on connectors - see **Drawing 2**.

Post-Mount Fixtures

Connect fixture ground wire **(E)** (typically copper or green plastic coated) to power supply ground with appropriately sized twist-on connector inside post. Cover open end of connector with silicone sealant to form a watertight seal - see **Drawing 3**.