

# INSTALLATION INSTRUCTIONS

Item #N6672-274 (12/23/2014)

## READ AND SAVE THESE INSTRUCTIONS

**WARNING! SHUT POWER OFF AT FUSE OR CIRCUIT BREAKER.**  
**AVERTISSEMENT! COUPER LE COURANT AU NIVEAU DES FUSIBLES OU DU DISJONCTEUR.**

### PREPARING THE FIXTURE (Fig.2)

1. Shut off the power at the fuse box or circuit breaker. If necessary, remove the existing fixture and its mounting hardware from the ceiling.
2. Carefully remove the new fixture from the carton and check that all parts are included as shown in the illustration.
3. Screw nipple (C) into the top coupling of the fixture and secure with nut (B).
4. Place rod (D), cap (E), plate (F) and canopy (G) over the nipple (C) and secure with washer (H) and nut (J). Pass the fixture wires through each part as you assemble.

### MOUNTING THE FIXTURE (Fig. 1)

5. Attach mounting strap to the outlet box using the box screws (Size: #8-32\*0.5L). The side of the mounting strap marked "GND" must face out.

### CONNECTING THE WIRES (Fig. 3)

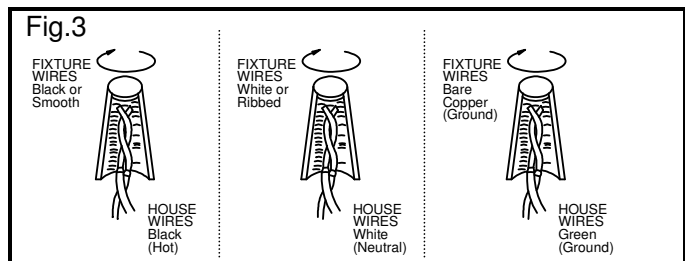
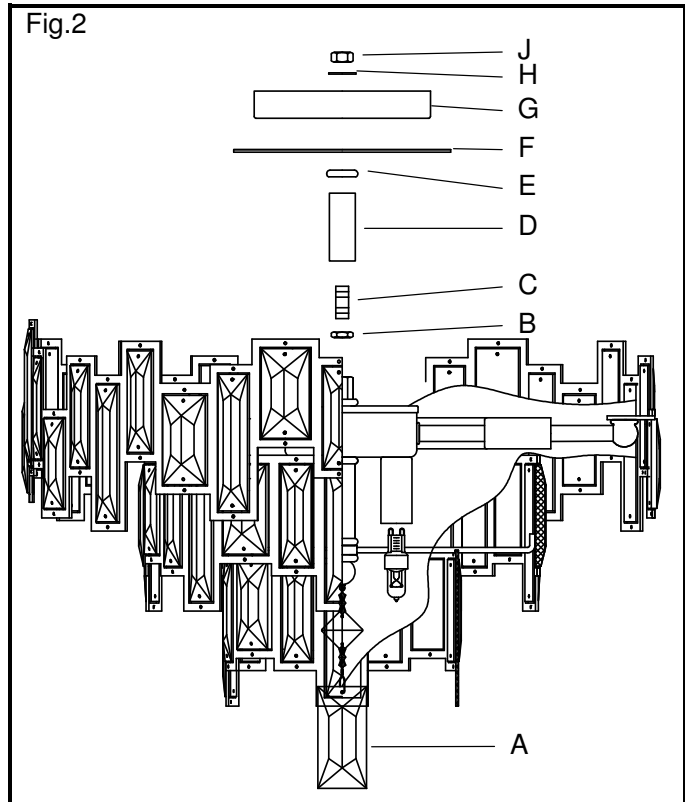
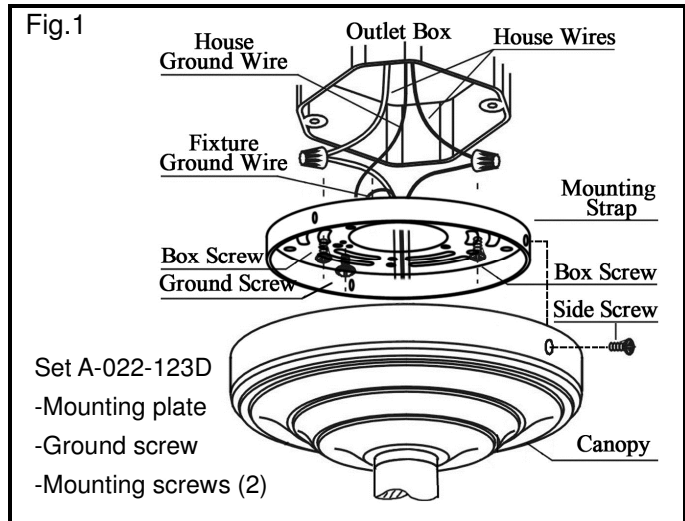
6. At this point, connect the electrical wires as shown in Fig. 3, making sure that all wire connectors are secured. If your outlet box has a ground wire (green or bare copper), connect the fixture's ground wire to it. Otherwise, connect the fixture's ground wire directly to the mounting strap using the green screw provided. After the wires are connected, tuck them carefully inside the outlet box.

### FINISHING THE INSTALLATION (Fig. 1 & 2)

7. Align the side holes of the canopy to the holes on the side of the mounting plate. Then secure the canopy to the mounting plate using the side screws.
8. Install the bulbs in accordance with the fixture's specifications. (DO NOT EXCEED THE MAXIMUM WATTAGE RATING!) (NE PAS DEPASSER LA PUISSANCE NOMINALE MAXIMALE!)
9. Hook the crystal (A) onto the body.

Your installation is now complete. Return power to the outlet box and test the fixture.

**Note: Illustration on this manual is for installation purposes only. It may or may not be identical to the fixture purchased. Do not clean your light fixture or parts with water or cleanser.**



american  
lighting  
association