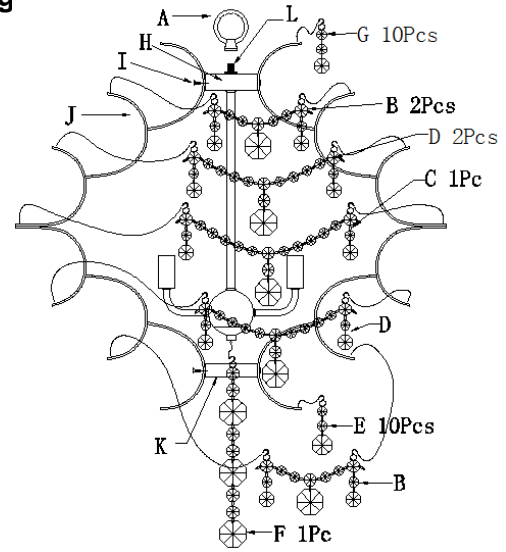


**WARNING! SHUT POWER OFF AT FUSE OR CIRCUIT BREAKER.
AVERTISSEMENT! COUPER LE COURANT AU NIVEAU DES FUSIBLES OU DU DISJONCTEUR.**

ASSEMBLING THE FIXTURE (FIG. 1)

1. Shut off the power at the fuse box or circuit breaker. If necessary, remove the old fixture including the mounting hardware.
2. Carefully remove the fixture from the carton and check that all parts are included as shown in the illustration.
3. Thread the fixture loop (A) onto the nipple (L) until snug;
4. Install the light bulb (not included) in accordance with fixture's specifications. **(DO NOT EXCEED THE MAXIMUM WATTAGE RATING!) (NE PAS DEPASSER LA PUISSANCE NOMINALE MAXIMALE!).**
5. Take this support (J) on to the fixture (H) and ring (K) using screw (I) as shown in Fig1.
6. Hang the crystal drops (G and E) onto the support (J) as shown in Fig 1.
7. Hang the crystal drop chain (F) on to the fixture(H) as shown in Fig1.
8. Hang the crystal chains (B&C&D) ont the support (J) as shown in Fig 1.(Fasten each crystal chain between front and rear make it be a circle).

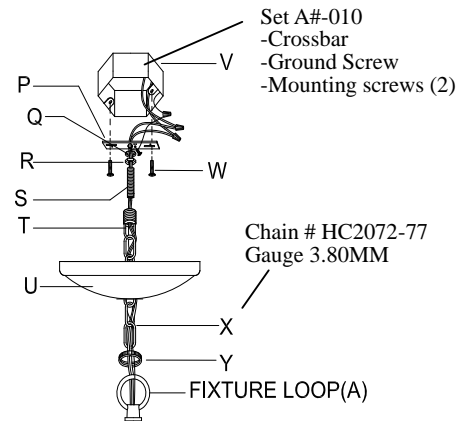
Fig 1



MOUNTING THE FIXTURE (FIG. 2)

1. Thread the nipple (S) into the collar loop (T) until snug.
2. Thread the other end of nipple (S) into the cross bar (P).
3. Place lock washer (Q) and hex nut (R) over the end of nipple (S) protruding through cross bar (P), then thread hex nut (R) to nipple (S) until snug.
4. Take this crossbar assembly and mount to ceiling outlet box (V) using outlet box screw (W). The side of cross bar marked "GND" must face out.
5. Use proper chain pliers to open one end link of the chain and connect to the fixture loop (A). Close the link.
6. By measuring, determine the correct number of links needed for proper hanging height. Using the chain pliers, disconnect and discard the remaining chain.
7. Carefully lace the fixture wires through the chain (X).
8. Slip collar ring (Y) over the chain (X), then do the same with canopy (U).
9. Open the other end link of the chain (X) and connect to the collar loop (T). Close the link.
10. Feed the fixture wires through the collar loop (T) and nipple (S) and pull until tight.

Fig. 2



CONNECTING THE WIRE (See fig.3)

1. At this point, connect the electrical wires as shown in Fig. 3, making sure that all wire connectors are secured. If your outlet box has a ground wire (green or bare copper), connect the fixture's ground wire to it. Otherwise, connect the fixture's ground wire directly to the mounting plate using the green screw provided.
2. Tuck the wire connectors neatly into the ceiling outlet box and raise the canopy (U) and collar ring (Y). Then thread collar ring (Y) onto collar loop (T) protruding through canopy.

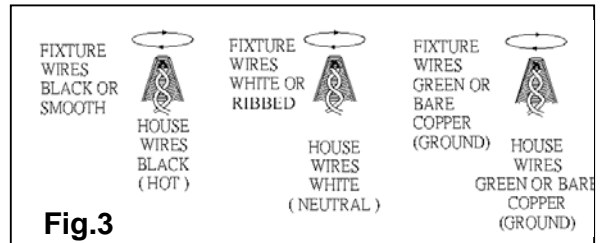


Fig.3

Your installation is now complete. Return power to the outlet box and test the fixture



Notice: It is important to use proper chain pliers (not included) to OPEN and CLOSE the chain included with this fixture. Do not open them with other tools that may twist or stress the chain links. It is important to use proper chain pliers like the ones shown in the diagram.