

# Metal Man & Metal Woman

700\_M\_

1.6

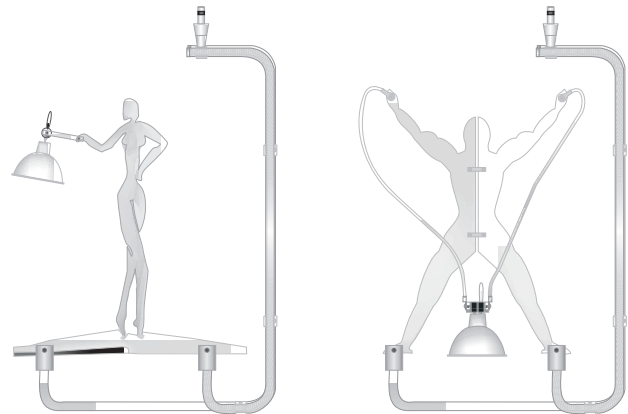


## GENERAL PRODUCT INFORMATION:

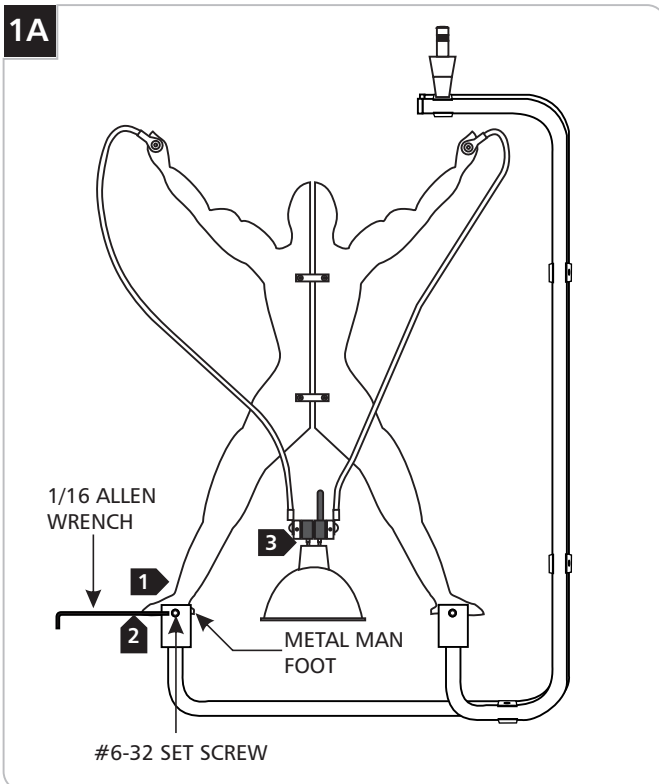


This product is ETL listed and suitable only for indoor dry locations and approved for use at any height above the finished floor.

Wild Thing, Sun Louver Lens Holder, Flight Paper, MR16 Snout, Lil Egypt, Lil Wok, Barndoors, Snap Barndoors, Backlight Shield, Louver Lens Holder, Snap Louver Lens Holder, Eggcrate Louver, Glass Lens, MR11 compatible accessories and optical controls, Flight Paper, Backlight Shield, Louver Lens Holder, and Eggcrate Louver are compatible accessories.



## Install the Metal Man



- 1 Push each Metal Man foot all the way down into one connector slot.
- 2 Tighten the #6-32 set screw on the connectors with the 1/16 Allen wrench.

Use **MAX 75 Watt**, MR16 Front Cover Halogen Lamp with Metal Man 8.0" & 5.5".



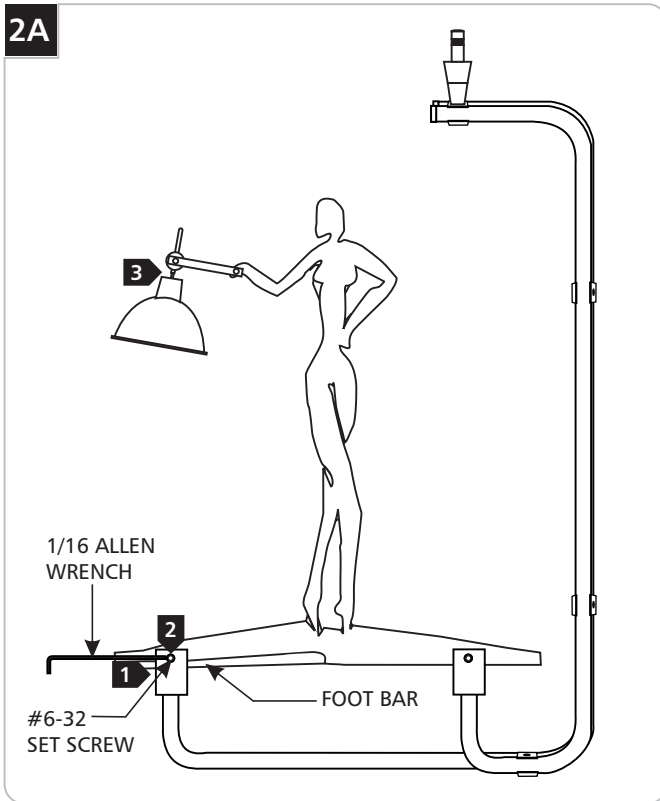
Use **MAX 35 Watt**, MR11 Front Cover Halogen Lamp with Metal Man 3.5".



- 3 Push the lamp pins all the way into the socket pins. Improperly installed bulb may drop out.

## Install the Metal Woman

2A



- 1 Insert each end of the foot bar all the way into one connector slot.
- 2 Tighten the #6-32 set screw on the connectors with the 1/16 Allen wrench.

Use **MAX 75 Watt, MR16 Front Cover Halogen Lamp.**



- 3 Push the lamp pins all the way into the socket pins. Improperly installed bulb may drop out.

## IMPORTANT SAFETY INSTRUCTIONS

*To reduce the risk of fire, electrical shock, exposure to excessive UV radiation, or injury to person:*

- Use this fixture indoors only.
- Do not look directly at the lighted lamp.
- Do not remain in light if skin feels warm.
- Risk of fire: Use only the type of lamp and maximum wattage indicated in this instruction manual.
- Never cover the halogen lamp with anything other than a Tech Lighting lamp shield and never place flammable material close to your fixture.
- Never turn the fixture on and off by connecting and disconnecting the halogen lamp.
- Do not touch the fixture shades or lamp shield while the fixture is on. These surfaces may be HOT.

## Halogen Lamp General Information

- A new halogen lamp may smoke slightly when it is used for the first time. This is perfectly normal; the protective coating is simply being vaporized.

## Two Tips For Prolonging Halogen Lamp Life

- First avoid touching the lamp with bare hands during installation. Any contaminant, even the oil from your hands can deteriorate the lamp. Rubbing alcohol can be used to remove any contaminant.
- Second, do not run the lamps at full power when you do not need to. However, if dimming the fixture for an extended period of time, occasionally bring the light up to full brightness for a few minutes to complete the halogen cycle.

**SAVE THESE INSTRUCTIONS!**



**TECH LIGHTING®**

7400 Linder Ave, Skokie, IL 60077  
847.410.4400

[www.techlighting.com](http://www.techlighting.com)

© 2008 Tech Lighting, L.L.C. All rights reserved. The "Tech Lighting" graphic is a registered trademark of Tech Lighting, L.L.C. Tech Lighting reserves the right to change specifications for product improvements without notification.  
A Generation Brands Company