

Joshua 2" Canopy

700JS2C_

1.7



GENERAL PRODUCT INFORMATION:

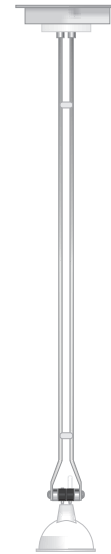


This product is suitable for indoor dry locations only.

Install the 2" electrical box prior to these steps.

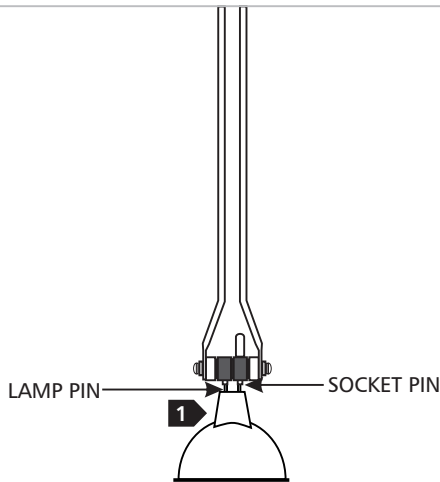
This product can be dimmed with a standard incandescent dimmer.

Minimum volume of the electrical box must be 6 cubic inches (98 cubic centimeter).



Installing the Lamp

1A



CAUTION: To reduce the risk of a burn or electric shock during relamping, disconnect the power to the fixture.

NOTE: Use only your fingers and a soft cloth to replace the lamp.

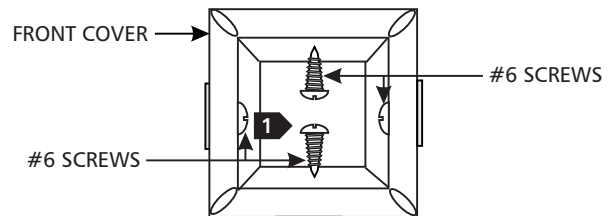
Use **MAX 75 Watt, MR16 Front Cover Halogen Lamp.**



- 1 Push the MR16 lamp pins all the way into the socket pins.

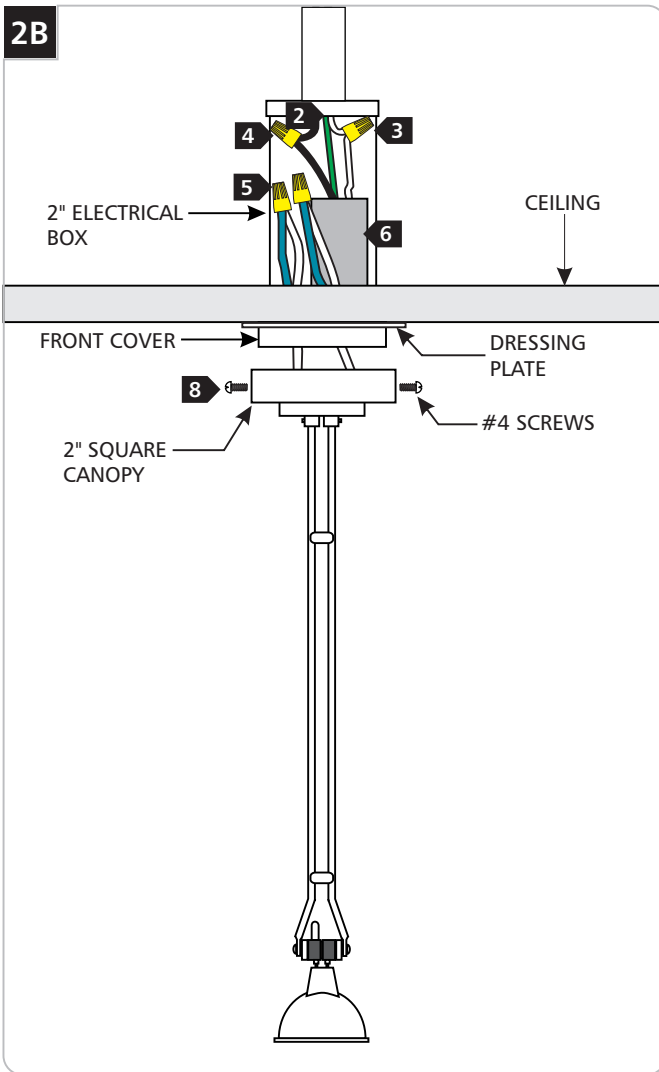
Installing the Fixture

2A



NOTE: Use only your fingers and a soft cloth to replace the lamp.

- 1 Remove the two #6 opposing screws from the front cover of the 2" Electrical box.



- 2** In accordance with local electrical codes, ground the transformer green wire.
- 3** Connect the 120 volt white transformer wire to the 120 volt neutral power line wire with a wire nut.
- 4** Connect the 120 volt black transformer wire to the 120 volt hot power line wire with a wire nut.
- 5** Connect the 12 volt transformer wires to the 2" square canopy wires with wire nuts.
- 6** Place the transformer and all the wires inside the 2" electrical box. Use the adhesive pads to secure the transformer in the electrical box.
- 7** Replace and tighten the two #6 screws on the front canopy.
- 8** Mount the 2" square canopy to the 2" electrical box with two #4 screws from the both sides.

IMPORTANT SAFETY INSTRUCTIONS

To reduce the risk of fire, electrical shock, exposure to excessive UV radiation, or injury to person:

- Use this fixture indoors only.
- Do not look directly at the lighted lamp.
- Do not remain in light if skin feels warm.
- Risk of fire: Use only the type of lamp and maximum wattage indicated in this instruction manual.
- Never cover the halogen lamp with anything other than a Tech Lighting lamp shield and never place flammable material close to your fixture.
- Never turn the fixture on and off by connecting and disconnecting the halogen lamp.
- Do not touch the fixture shades or lamp while the fixture is on. These surfaces may be HOT.
- The MR16 lamp must have a protective front cover glass.

Halogen Lamp General Information

- A new halogen lamp may smoke slightly when it is used for the first time. This is perfectly normal; the protective coating is simply being vaporized.

Two Tips For Prolonging Halogen Lamp Life

- First avoid touching the lamp with bare hands during installation. Any contaminant, even the oil from your hands can deteriorate the lamp. Rubbing alcohol can be used to remove any contaminant.
- Second, do not run the lamps at full power when you do not need to. However, if dimming the fixture for an extended period of time, occasionally bring the light up to full brightness for a few minutes to complete the halogen cycle.



© 2008 Tech Lighting, L.L.C. All rights reserved. The "Tech Lighting" graphic is a registered trademark of Tech Lighting, L.L.C. Tech Lighting reserves the right to change specifications for product improvements without notification.
A Generation Brands Company

SAVE THESE INSTRUCTIONS!