

# INSTALLATION INSTRUCTIONS

Model# 73312-66

READ AND SAVE THESE INSTRUCTIONS

**WARNING! SHUT POWER OFF AT FUSE OR CIRCUIT BREAKER.  
AVERTISSEMENT! COUPER LE COURANT AU NIVEAU DES FUSIBLES OU DU**

## PREPARING FOR INSTALLATION (Fig. 1)

1. Shut off power at the fuse box or circuit breaker box and remove the old fixture including the mounting hardware.
2. Carefully unpack your new fixture and lay out all the parts in a clear area. Take care not to misplace any small parts necessary for installation.
3. Attach circular strap (B) using outlet box screws (D) to outlet box (A) (Not included). The side of circular strap (B) marked "GND" must face out. (Fig 1)

## CONNECTING THE WIRES (Fig. 2)

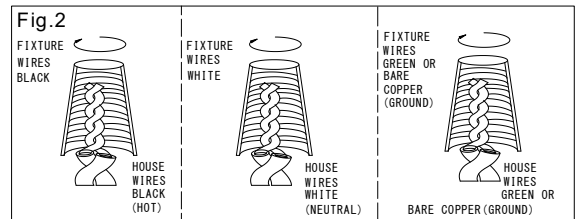
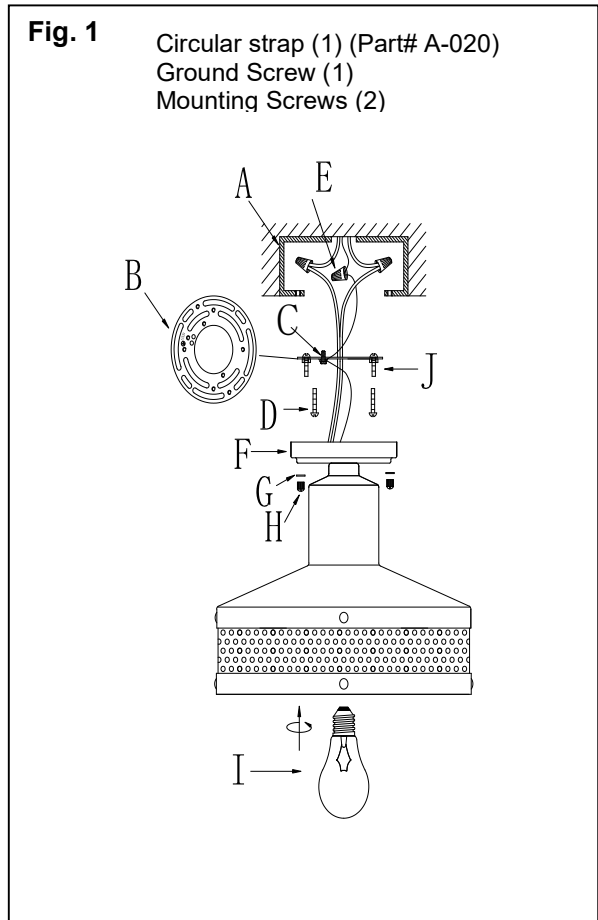
4. Connect electrical wires as shown in Fig.2 making sure that all wire connectors (E) are secured. If your outlet box (A) has a ground wire (green or bare copper), connect fixture's ground wire to it. Otherwise, connect fixture's ground wire directly to circular strap (B) using green screw (C) provided.
5. Tuck wire connectors neatly into the outlet box (A).

## COMPLETING THE INSTALLATION (Fig. 1)

6. Place canopy (F) over mounting screws (J), followed by rubber gasket (G) and secure to ceiling using cap nuts (H).
7. Install (1) one medium base bulb (I) up to 100 Watts, or CFL or LED equivalent (not included), in accordance with the fixture specification. **(DO NOT EXCEED THE MAXIMUM WATTAGE RATING) (NE PAS DEPASSER LA PUISSANCE NOMINALE MAXIMALE!)**

This fixture is ETL listed for damp location applications.

Your installation is now complete. Return power to the outlet box and test the fixture.



**“CAUTION-RISK OF FIRE CONSULT A QUALIFIED ELECTRICIAN TO ENSURE CORRECT BRANCH CIRCUIT CONDUCTOR”**

**ATTENTION – RISQUE D’INCENDIE. CONSULTER UN ÉLECTRICIEN QUALIFIÉ POUR VOUS ASSURER QUE LES CONDUCTEURS DE LA DÉRIVATION SONT ADÉQUATS.**

