

INSTALLATION INSTRUCTION

J Track Systems

JT2, JT4, JT6, JT8

WAC LIGHTING

Responsible Lighting®

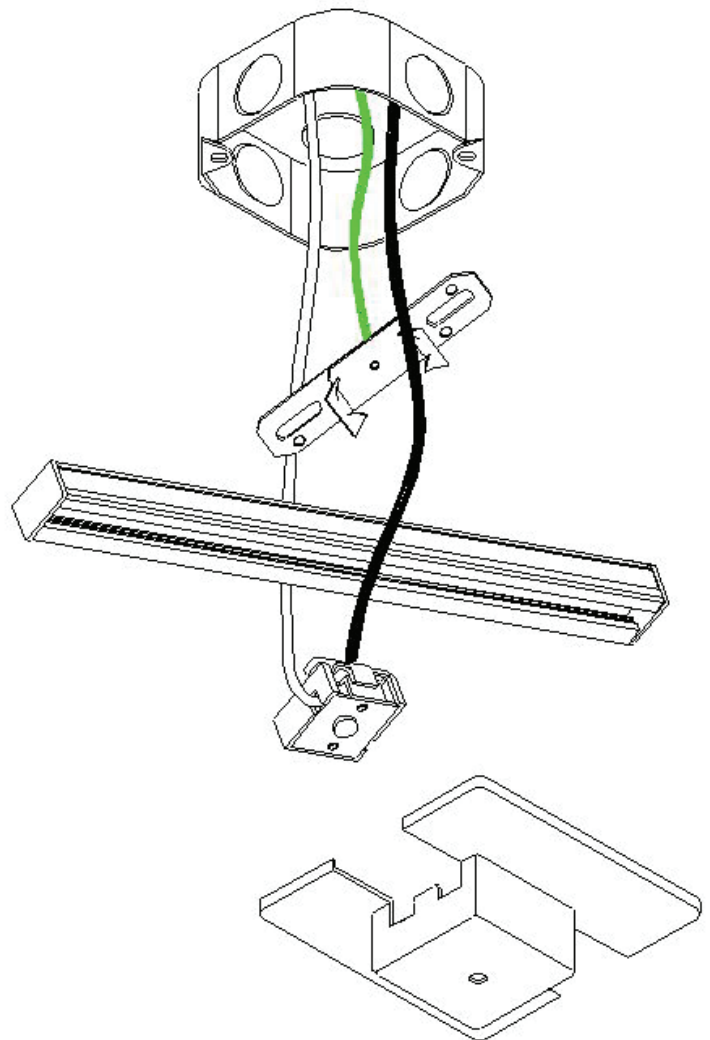
SAFETY INSTRUCTION

- Read all of these instructions before installing the track system.
- Turn off power at main switch before installing or modifying the system.
- Do not install within six inches of any curtain or combustible materials.
- Do not install less than 5 feet above a floor.
- Do not install in damp or wet locations.
- Do not install concealed, or extended through building walls.
- Do not attempt to energize anything other than a track light fixture.
- Do not connect a track to more than one branch circuit. Although track light systems may seem to operate acceptably, a dangerous overload of the neutral may occur and result in a risk of fire.
- Check with a qualified electrician before wiring.
- All installation shall be in accordance with NEC and all local codes
- Save these installation instructions and refer to them when additions or changes to the track configuration are made.

ELECTRICAL FEED FROM A JUNCTION BOX WITH FLOATING CANOPY

The floating canopy covers a junction box and brings power to the track anywhere along its length.

1. Make sure power is off.
2. Secure cross bar to the junction box.
3. Hold track to the ceiling and mark the position of mounting holes.
4. Secure track between the scratch brackets located on the cross bar.
5. Mount track to ceiling following track mounting instructions (see track mounting section).
6. Position electrical adapter into track, turn 90° to install. Route wires along the side of track into the junction box.
7. Connect neutral (white) and hot (black) wires from the ceiling with their respective wires from the track adapter, with wire nuts (supplied).
8. Connect ground wire from ceiling to green grounding wire from adapter, with a wire nut (supplied).
9. Tuck excess wire back into the junction box.
10. Replace canopy cover and secure with screw.



WAC Lighting
www.waclighting.com
Phone (800) 526.2588 • Fax (800) 526.2585

Headquarters/Eastern Distribution Center
44 Harbor Park Drive • Port Washington, NY 11050
Phone (516) 515.5000 • Fax (516) 515.5050

Western Distribution Center
1750 Archibald Ave • Ontario, CA 91761
Phone (800) 526.2588 • Fax (800) 526.2585

INSTALLATION INSTRUCTION

J Track Systems

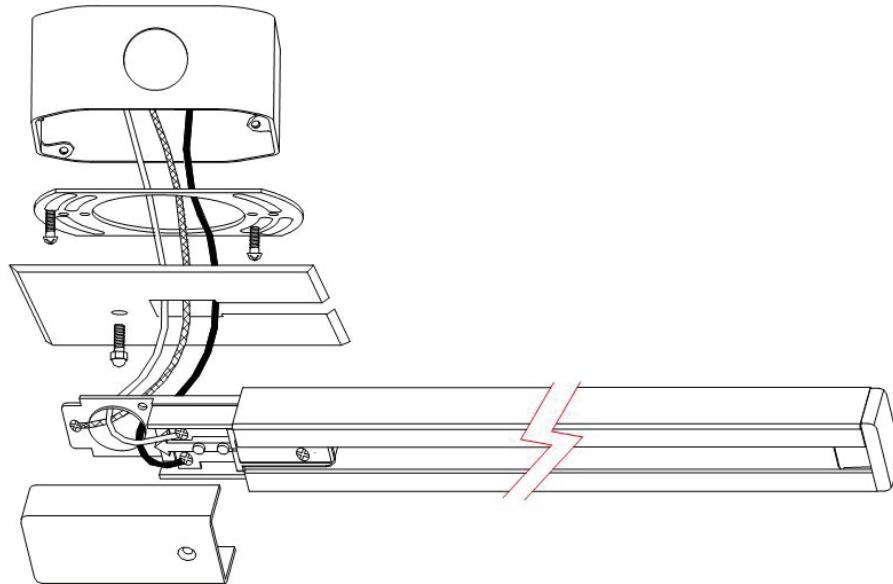
JT2, JT4, JT6, JT8

WAC LIGHTING

Responsible Lighting®

LIVE END ELECTRICAL FEED OVER A JUNCTION BOX

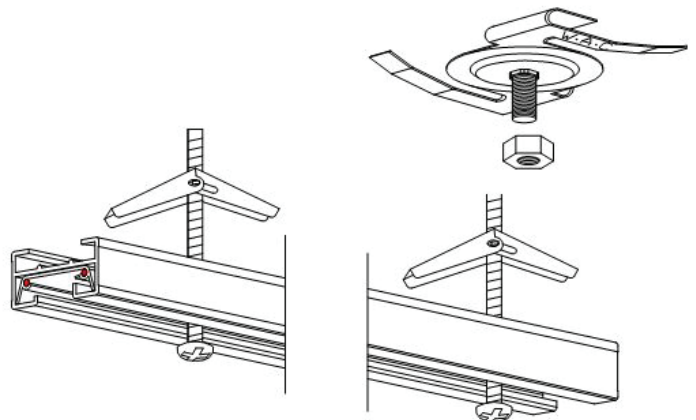
- Make sure power is off.
- Note the polarity indicator of the track. The live end can only be installed on one end. Brace the track end cap (opposite the live end) against a solid surface, and insert live end. This is important to achieve good electrical contact.
- Position live end over center of junction box. Mark track-mounting holes.
- Remove live end cover and pry out the knock out hole.
- Use a canopy plate "CP". Attach mounting plate to junction box. Note plate has threaded screw holes, the remaining screw will fit in a slotted hole to permit positioning. The plate will protrude slightly beyond the junction box, but will be covered when completed.
- Connect neutral (white) wire to the silver screw terminal on the live end marked "N" and Hot (black) wires to the brass colored screw terminal marked "A" on the live end.
- Connect Ground wire to green wire or screw terminal on the live end. Tuck any excess wire back into the junction box.
- Replace live end cover and secure with screw.



LIVE END ELECTRICAL FEED OVER A JUNCTION BOX

1. Raise track assembly to ceiling. Mark mounting hole locations. Track support points should be not more than 4' apart. Use a minimum of two support points for 2' and 4' track and three for 6' and 8' track.
2. Drill ceiling holes suitable for the fasteners you intend to use. Toggle wings (supplied) require 1/2 inch holes.
3. If additional holes in track are needed, drill 5/32" holes through the centerline of track (locate holes at least 6" in from track ends).
4. Insert bolts through track, and into the toggle wings, tighten 2 or 3 turns.
5. Push toggle wings into ceiling holes. Do not fully tighten toggle bolts until all electrical connections are made.

Use "T" bar clip for grid ceilings.



WAC Lighting

www.waclighting.com

Phone (800) 526.2588 • Fax (800) 526.2585

Headquarters/Eastern Distribution Center

44 Harbor Park Drive • Port Washington, NY 11050

Phone (516) 515.5000 • Fax (516) 515.5050

Western Distribution Center

1750 Archibald Ave • Ontario, CA 91761

Phone (800) 526.2588 • Fax (800) 526.2585

INSTALLATION INSTRUCTION

J Track Systems

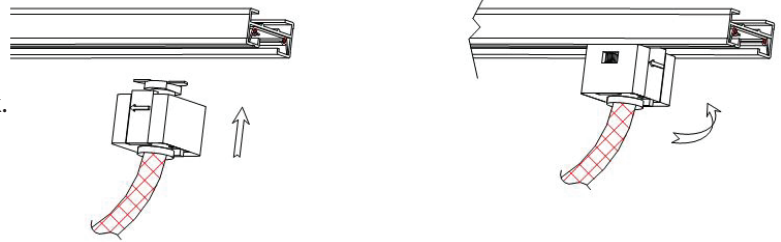
JT2, JT4, JT6, JT8

WAC LIGHTING

Responsible Lighting®

FIXTURE INSTALLATION

1. Note the track has a groove running it's length to indicate polarity.
2. Note the arrow on the locking tab.
3. Insert adapter into track slot and rotate it 90°
The arrow should point to the grooved side of the track.
4. Make sure the locking tab sits in the track slot.
5. Removal is the reverse procedure. Track heads may be positioned anywhere along the track length.

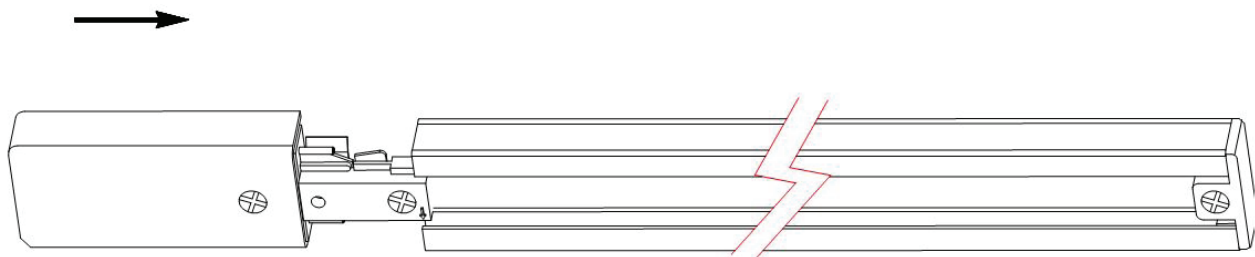


FIELD CUTTING TRACK

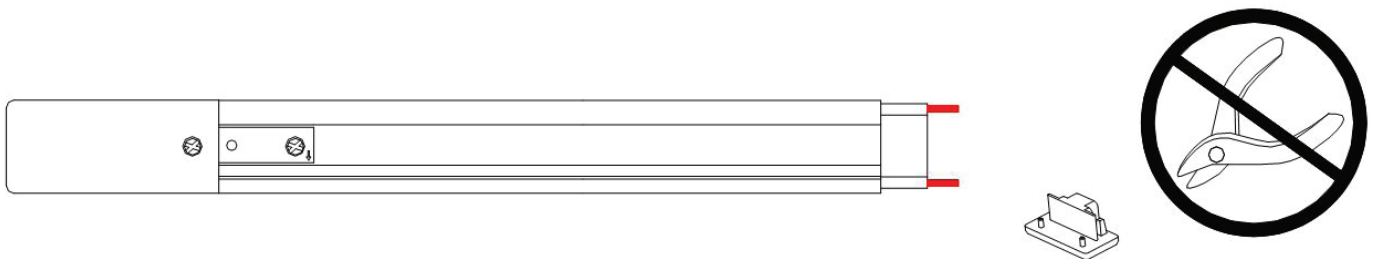
Measure the length of track needed, allow for the length of the live end or other connector.

Work at floor level. Note the polarity of the track (arrow on connector points to groove in track). Identify the side that accepts the live end connector.

1. Brace the opposite end of track against a solid surface. Insert the live end and secure by tightening the screw.



2. Do not allow bus wires and insulation to protrude from the end and **do not** cut the wires and push insulation back into the track.



WAC Lighting
www.waclighting.com
Phone (800) 526.2588 • Fax (800) 526.2585

Headquarters/Eastern Distribution Center
44 Harbor Park Drive • Port Washington, NY 11050
Phone (516) 515.5000 • Fax (516) 515.5050

Western Distribution Center
1750 Archibald Ave • Ontario, CA 91761
Phone (800) 526.2588 • Fax (800) 526.2585

INSTALLATION INSTRUCTION

J Track Systems

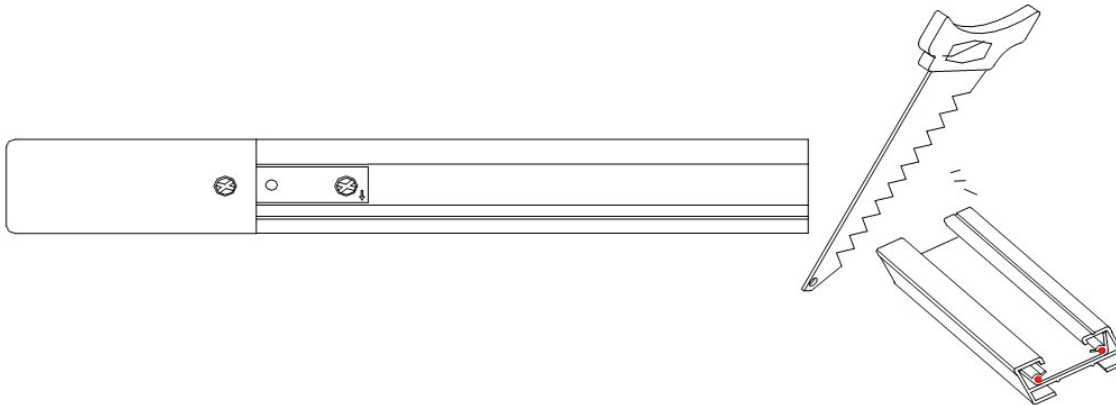
JT2, JT4, JT6, JT8

WAC LIGHTING

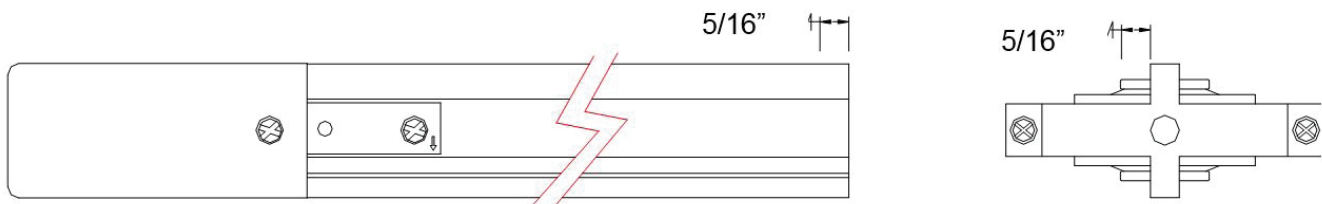
Responsible Lighting®

FIELD CUTTING CONTINUED

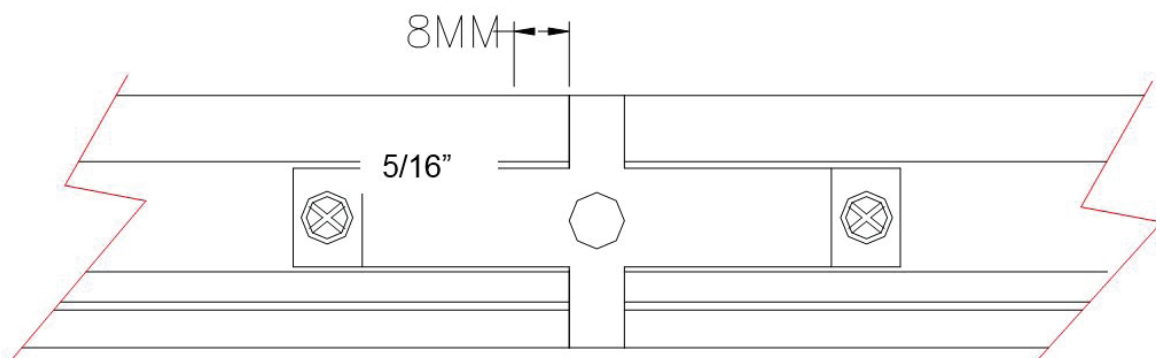
3. Make a flush cut through track with a fine-toothed hacksaw. File any rough edges or flash. Brush out any remaining filings.



4. Once the flush cut is made trim 5/16" off the end of the copper bus wire. This will allow sufficient clearance for the end cap or a mating connector. If not performed in this sequence the bus wires will be short and cause faulty contact.



5. When mating to connector already at ceiling level make sure to support connectors at both ends. Retain instructions for future reference.



WAC Lighting
www.waclighting.com
Phone (800) 526.2588 • Fax (800) 526.2585

Headquarters/Eastern Distribution Center
44 Harbor Park Drive • Port Washington, NY 11050
Phone (516) 515.5000 • Fax (516) 515.5050

Western Distribution Center
1750 Archibald Ave • Ontario, CA 91761
Phone (800) 526.2588 • Fax (800) 526.2585