

SPECIFICATIONS

CIRTANGULAR® BIDET

Model

DC024110

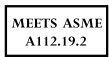
Description

- Vertical spray with rim wash
- Overflow
- Matching color ceramic floor bolt cover plates included
- Mounting hardware included

Standards



• UPC



• ASME A112.19.2



• CSA B45.1

Warranty

Five Year Limited Warranty (Vitreous China)

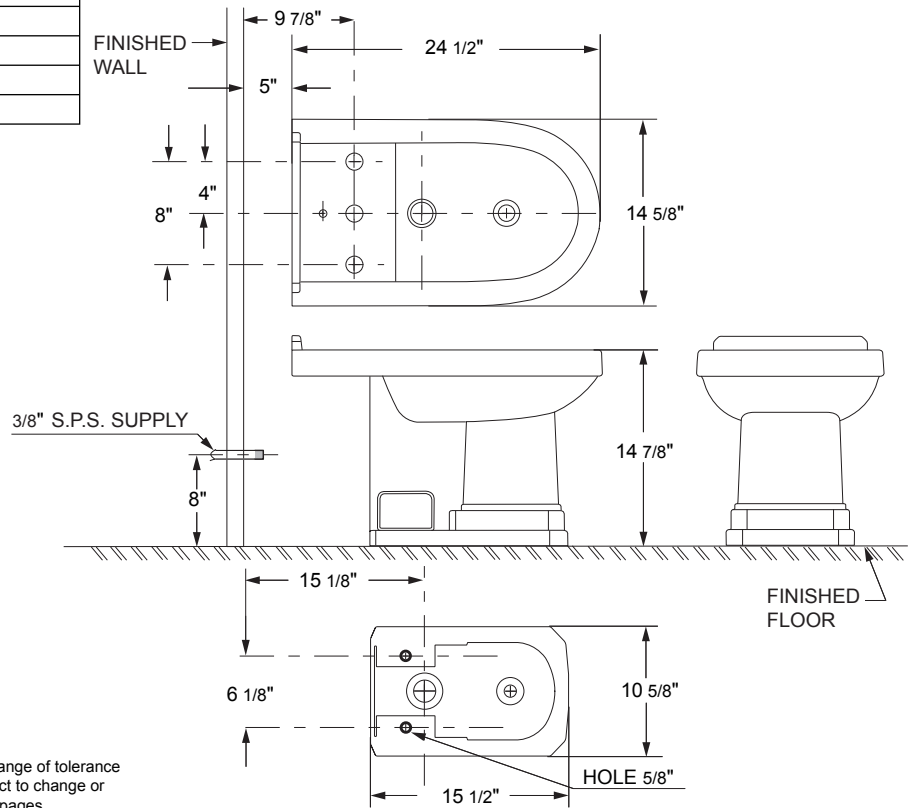
Technical Information

Fixture:	
Configuration	rim wash
Drain hole	1 3/4" (4.4 cm)
Faucet holes	1 3/8" (3.5 cm)
Pop-up rod hole	5/8" (1.6 cm)
Spray hole	15/16" (2.4 cm)
Diverter	1 3/8" (3.5 cm)



Colors Available

- White (WH)
- Biscuit (BC)



IMPORTANT: Dimensions of fixtures are nominal and may vary within the range of tolerance established by ASME Standard A112.19.2. These measurements are subject to change or cancellation. No responsibility is assumed for use of superseded or voided pages.

Submittal Information:

Job Name: _____

Location: _____

Contractor: _____

Contact #: _____