

EL7RIC EL7RICA

6" Line Voltage Remodel Housing-Type IC
For Use in Insulated Ceilings
For Use in Existing Ceilings

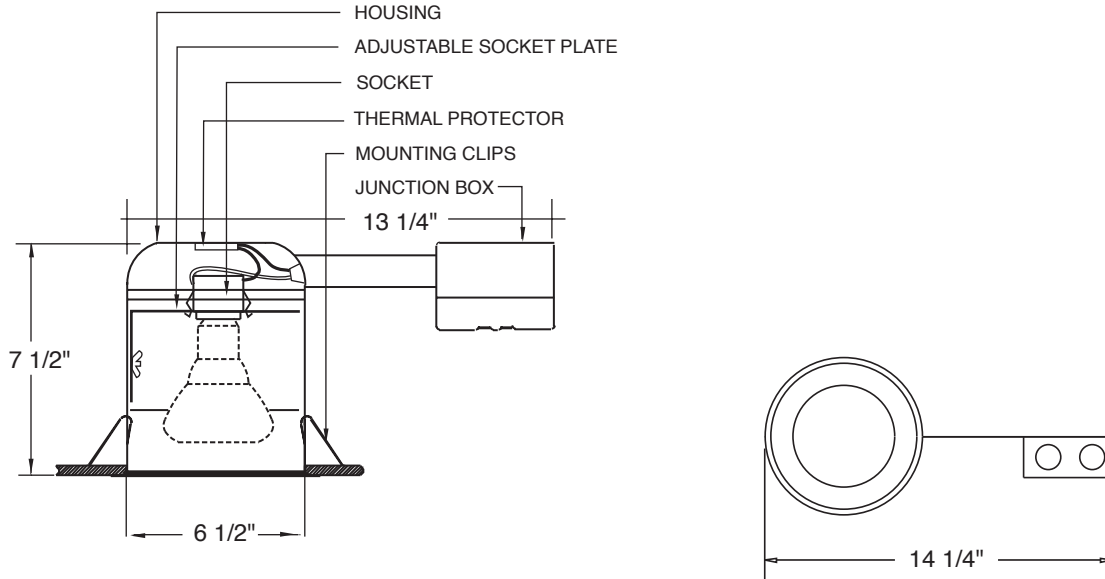
PROJECT INFORMATION:

Project Name: _____

Fixture Type: _____

Date: _____

DIMENSIONS



PRODUCT SPECIFICATIONS

Housing Features: For use in existing insulated ceilings. Integral thermal protector guards against improper lamping. Single wall construction.

The **EL7RIC & EL7RICA** for use in insulated ceilings.

The **EL7RICA** housings meets restricted air flow requirements.

Adjustable socket bracket allows the use of different lamp types and sizes as well as proper and consistent lamp positioning,

INSTALLATION

Junction Box: Pre-wired junction box provided with 1/2" and 3/4" knockout. U.L. listed/C.U.L. listed: for through branch wiring, maximum (8) No. 12 AWG branch circuit conductors (4 in, 4 out). Junction box provided with removable access plates.

Lamp: 120V, 90W Maximum

Lamp Holder: Medium Base Socket

Trim Ring: Polycarbonate trim ring, metal trim ring, designed to conceal ceiling cut-out.

Mounting: Four remodel clips secure housing and accommodate various ceiling thickness.

Mounting Frame: Stamped steel material and painted for corrosion resistance.

Labels:

- U.L. listed for damp locations
- U.L. listed for feed through
- U.L. listed for direct contact with insulation

CATALOG NUMBER

Example: EL7RIC - ELA101B

See trims page for variety of trims available.

2042 East Vernon Avenue, Vernon, CA 90058 • Tel: (323) 231-2600 Fax: (323) 231-3200 • www.elcolighting.com

© ELCO LIGHTING 2006 All Rights Reserved. Rev. Feb 2006. ELCO Lighting reserves the right to make specification and design changes without notice.

ELCO
LIGHTING

ELCO Lighting®