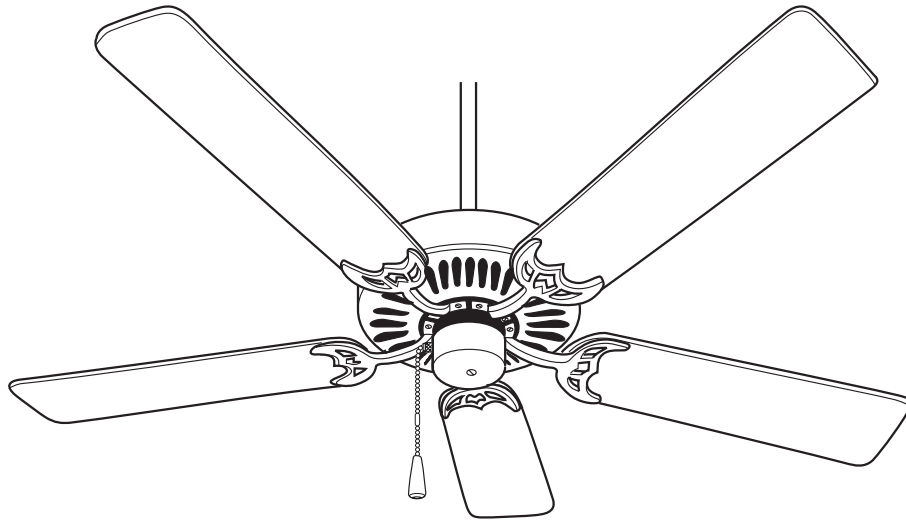


READ AND SAVE THESE INSTRUCTIONS



Model No.

CF700AB08

CF700PB08

CF700AW08

CF700PBW08

CF700BS08

CF700SCB08

CF700BSW08

CF700WB08

CF700CK08

CF700WPB08

CF700ORB08

CF700WW08

Net Weight: 14.4 Lbs.



EMERSON™

BUILDER Series Ceiling Fan Owner's Manual

 **WARNING**

WARNING: To avoid fire, shock, and serious personal injury, follow these instructions.

Safety Instructions

1. Read your owner's manual carefully and keep it for future reference.
2. Before servicing or cleaning unit, switch power off at service panel and lock service panel disconnecting means to prevent power from being switched on accidentally. When the service disconnecting means cannot be locked, securely fasten a warning device, such as a tag, to the service panel.
3. Be careful of the fan and blades when cleaning, painting, or working near the fan. Always turn off the power to the ceiling fan before servicing.
4. Do not put anything into the fan blades while they are turning.
5. Do not operate reversing switch until fan blades have come to a complete stop.

Additional Safety Instructions for Installation

1. To avoid possible shock, be sure electricity is turned off at the fuse box before wiring, and do not operate fan without blades.
2. All wiring must be in accordance with the National Electrical Codes "ANSI/NFPA 70-1999" and Local Electrical Codes. Use the National Electrical Code if Local Codes do not exist. The ceiling fan must be grounded as a precaution against possible electrical shock. Electrical installation should be made or approved by a licensed electrician.
3. The outlet box and joist must be securely mounted and capable of reliably supporting at least 50 pounds. Use only U.L. outlet boxes listed as "Acceptable for Fan Support", and use the mounting screws provided with the outlet box. Most outlet boxes commonly used for support of light fixtures are not acceptable for fan support and may need to be replaced. Consult a qualified electrician if in doubt.
4. The downrod furnished with the fan proves the minimum recommended floor to fan blade clearance for an 8 foot ceiling.
5. The fan must be mounted with the fan blades at least 7 feet from the floor to prevent accidental contact with the fan blades.
6. Follow the recommended instructions for the proper method of wiring your ceiling fan. If you do not know enough about electrical wiring, have your fan installed by a licensed electrician.

WARNING: To avoid fire, shock or injury, do not use an Emerson or any other brand of control not specifically approved for this fan.

WARNING: This product is designed to use only those parts supplied with this product and/or any accessories designated specifically for use this product by Emerson Electric Co. could result in personal injury or property damage.

WARNING: To Reduce the risk of personal injury, do not bend the blade flange when installing the blade flanges, balancing the blades or cleaning the fan. Do not insert foreign objects in between rotating fan blades.

Tools Required

- | | |
|----------------------|---------------|
| Standard screwdriver | Wire stripper |
| Phillips screwdriver | Step ladder |

 **WARNING**

Do not install or use fan if any part is damaged or missing. Call Toll-Free:

1-800-654-3545

 **WARNING**

This product is designed to use only those parts supplied with this product and/or any accessories designated specifically for use with this product by Emerson Electric Co. Substitution of parts or accessories not designated for use with this product by Emerson Electric Co. could result in personal injury or property damage.

 **WARNING**

If you feel you do not have enough wiring knowledge or experience, have your fan installed by a licensed electrician.

General

After opening the box you should find the following parts:

- One motor housing assembly
- One upper canopy
- One set of blade flanges
- One hanger bracket
- One downrod/hanger ball assembly
- Parts bag
- One set of blades
- One switch housing cover
- One Owner's Manual

Installation Instructions

WARNING

The fan must be hung with at least 7' of clearance from floor to blades.

1. If your fan is to replace an existing ceiling light fixtures, turn electricity off at the main fuse box at this time and remove the existing light fixture.

WARNING

Turning off wall switch is not sufficient. To avoid possible electrical shock, be sure electricity is turned off at the main fuse box before wiring. All wiring must be in accordance with National and Local Codes and the ceiling fan must be properly grounded as a precaution against possible electrical shock.

WARNING

To reduce the risk of fire, electrical shock, or personal injury, mount fan to outlet box marked "Acceptable for Fan Support", and use screws supplied with outlet box. Most outlet boxes commonly used for support of light fixtures are not acceptable for fan support and may need to be replaced. Consult a qualified electrician if in doubt.

WARNING

The outlet box and joist must be securely mounted and capable of supporting at least 50 lbs. Use only a U.L. outlet box listed as "Acceptable for Fan Support".

2. Install hanger bracket (item 1) to outlet box using the two screws supplied with the outlet box. Hanger bracket must seat firmly against outlet box. Remove wall board if necessary until bracket contacts box.

WARNING

Hanger bracket must seat firmly against outlet box. If the outlet box is recessed, remove wall board until bracket contacts box. If bracket and/or outlet box are not securely attached, the fan could wobble or fall.

3. Run the downrod (item 3) through the ceiling cover (item 4). Run the three wires from the fan through the downrod.

4. The fan is supplied with a hanger ball/downrod assembly. Slide the downrod (Item 3) into the collar mounting until the hole in the downrod aligns with the cross hole in the collar mounting. (Make sure wires do not twist during this step.) Next, insert clevis pin through cross holes in collar mounting and downrod. Install hair-pin clip in hole in clevis pin. Now tighten the downrod setscrews securely to the downrod.

WARNING

It is critical that the clevis pin in the collar mounting is properly installed and the setscrews securely tightened. Failure to verify that the clevis pin and setscrews are properly installed could result in the fan falling.

5. To attach switch housing (item 5) align the color stripes of connectors. Slide the connectors together until plastic latch on connector snaps over the tab on connector. Carefully tuck all wires and splices into the switch housing. Position switch housing (item 5) on switch housing adapter and align the holes in the switch housing by installing the three screws in the side of adapter.

NOTE: To install an accessory light kit, remove switch housing (item 5) and make light kit electrical connections to blue and white leads marked "For Light" in the switch housing. Follow light kit instructions for wiring and installation. Then reinstall switch housing as outlined above.

6. Lift the fan, without blades, and put the downrod assembly into the hanger bracket. Make sure to engage the groove on the hanger ball (item 2) with the tab on the hanger bracket (item 1) to prevent rotation.

WARNING

Failure to seat tab in groove could cause damage to electrical wires and possible shock or fire hazard.

WARNING

To avoid possible fire or shock, do not pinch wires between the hanger ball/downrod assembly and hanger bracket.

WIRING THE FAN. If you do not have enough electrical experience, have your fan installed by a licensed electrician.

NOTE: This fan comes with 42" long electrical leads. Before installing the fan, measure approximately 6 to 9 inches above the hanger ball/downrod assembly. Cut off excess leads and strip back insulation 1/2-inch from end of leads.

WARNING

Turning off wall switch is not sufficient. To avoid possible electrical shock, be sure electricity is turned off at the main fuse box before wiring. All wiring must be in accordance with National and Local codes and the ceiling fan must be properly grounded as a precaution against possible electrical shock.

- Connect the green grounding lead from the hanger ball and the green grounding lead from the hanger bracket to the grounding conductor of supply (this may be a bare wire or wire with green colored insulation). Securely connect wires with wire connectors supplied.

Securely connect the fan motor white wire to the supply white (neutral) wire using wire connector supplied. Securely connect the fan motor black wire and the blue wire to the supply black (hot) wire using wire connector supplied. After connections have been made, separate the white and green leads from the black and blue leads. Carefully turn the leads upward and push the green and white leads into one side of the outlet box. Then push the black and blue leads into the other side of the outlet box.

⚠ WARNING

Check to see that all connections are tight, including ground, and that no bare wire is visible at the wire connectors, except for the ground wire. Do not operate fan until blades are in place. Noise and fan damage could result.

- Screw the two threaded studs (supplied) into the tapped holes in the hanger bracket.
- Lift the ceiling cover (item 4) up to the threaded studs and turn until studs protrude through the holes in the ceiling cover.
- Secure the ceiling cover in place by sliding lockwashers (supplied) over the threaded studs and installing the two knurled knobs (supplied). Tighten the knurled knobs securely until the ceiling cover fits snugly against the ceiling and the hole in the ceiling cover is clear of the downrod. Your fan is now wired to be turned on and off from the fan switch.

⚠ WARNING

To avoid possible fire or shock, make sure that the electrical wires are completely inside the outlet box and not pinched between the ceiling cover and the ceiling.

- Remove rubber packing grommets from the motor and discard. They are for shipping protection only.
- Attach the five blades (item 6) to their blade flanges (item 7) using the M5 x 6 washer head screws provided.

⚠ WARNING

To reduce the risk of personal injury, do not bend the blade flanges when installing the flanges, balancing the blades, or cleaning the fan. Do not insert foreign objects between rotating fan blades.

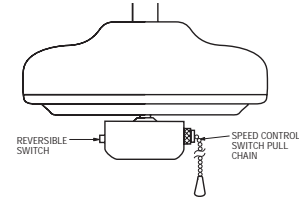
- Attach the blades to the fan motor with the ten M6 x 12 screws with lockwashers. Tighten the blades securely to the motor. Failure to securely tighten the blades could result in fan wobble. Attach the ball and chain to the pull chain.
- Turn on the electricity. Check to see that the fan forward and reverse speeds work properly. Use the pull chain switch to cycle through the three fan speed, plus off. Use the reversing slide switch on the switch housing to change fan direction. Make sure blades come to a complete stop before changing fan direction. Installation is now complete.

Using Your Ceiling Fan

- Restore electrical power to the outlet box by turning the electricity on at the main fuse box.
- Check the operation of the fan by gently pulling on the pull chain switch.
- All fans are shipped from the factory with the reversing switch positioned to the "down" circulate air downward.
- If airflow is desired in opposite direction, turn your fan off and wait for the blades to stop turning, then slide the reversing switch to the "up" position and turn fan on again. The fan blades will turn in the opposite direction and reverse the airflow.

Your fan model is equipped with a 4-position, 3-speed pull chain switch. The operating sequence is as follows:

Three-Speed	
1st Pull	HIGH
2nd Pull	Medium
3rd Pull	Low
4th Pull	OFF



Reverse Switch Information

Season	Rotation Direction	Switch Position
Summer	Counter-Clockwise	Down
Winter	Clockwise	Up

Energy Efficient Use of Ceiling Fans

Ceiling fan performance and energy savings rely heavily on the proper installation and use of the ceiling fan. Here are a few tips to ensure quality and product performance.

Choosing the Appropriate Mounting Location. Ceiling fans should be installed, or mounted, in the middle of the room and at least 7 feet above the floor and 18 inches from the walls. If ceiling height allows, install the fan 8 - 9 feet above the floor for optimal airflow. Consult your Emerson Retailer for optional mounting accessories.

Using the Ceiling Fan Year Round. In the summer, use the ceiling fan in the counter-clockwise direction. The airflow produced by the ceiling fan creates a wind-chill effect, making you "feel" cooler. Select a fan speed that provides a comfortable breeze, lower speeds consume less energy. In the winter, reverse the motor and operate the ceiling fan at low speed in the clockwise direction. This produces a gentle updraft, which forces warm air near the ceiling down into the occupied space. Remember to adjust your thermostat when using your ceiling fan - additional energy and dollar savings could be realized with this simple step!

Turn Off When Not in the Room. Ceiling fans cool people, not rooms. If the room is unoccupied, turn off the ceiling fan to save energy.

Maintenance

Do not use abrasive cleaners which may cut through the protective lacquer and possibly damage the finish, use only a soft brush or lint free cloth to avoid scratching finish. Do not use water when cleaning you fan, as it could damage the motor or blades and create the possibility of an electrical shock.

WARNING

Do not use water when cleaning you fan, as it could damage the motor or blades and create the possibility of an electrical shock.

Accessories

Emerson SW95 Speed Control can be used with this fan.

WARNING

To reduce the risk of fire or electrical shock, do not use the fan with any solid-state speed control device.

WARNING



Any control not specifically approved for this fan could result in fire, shock, and personal injury.

WARNING

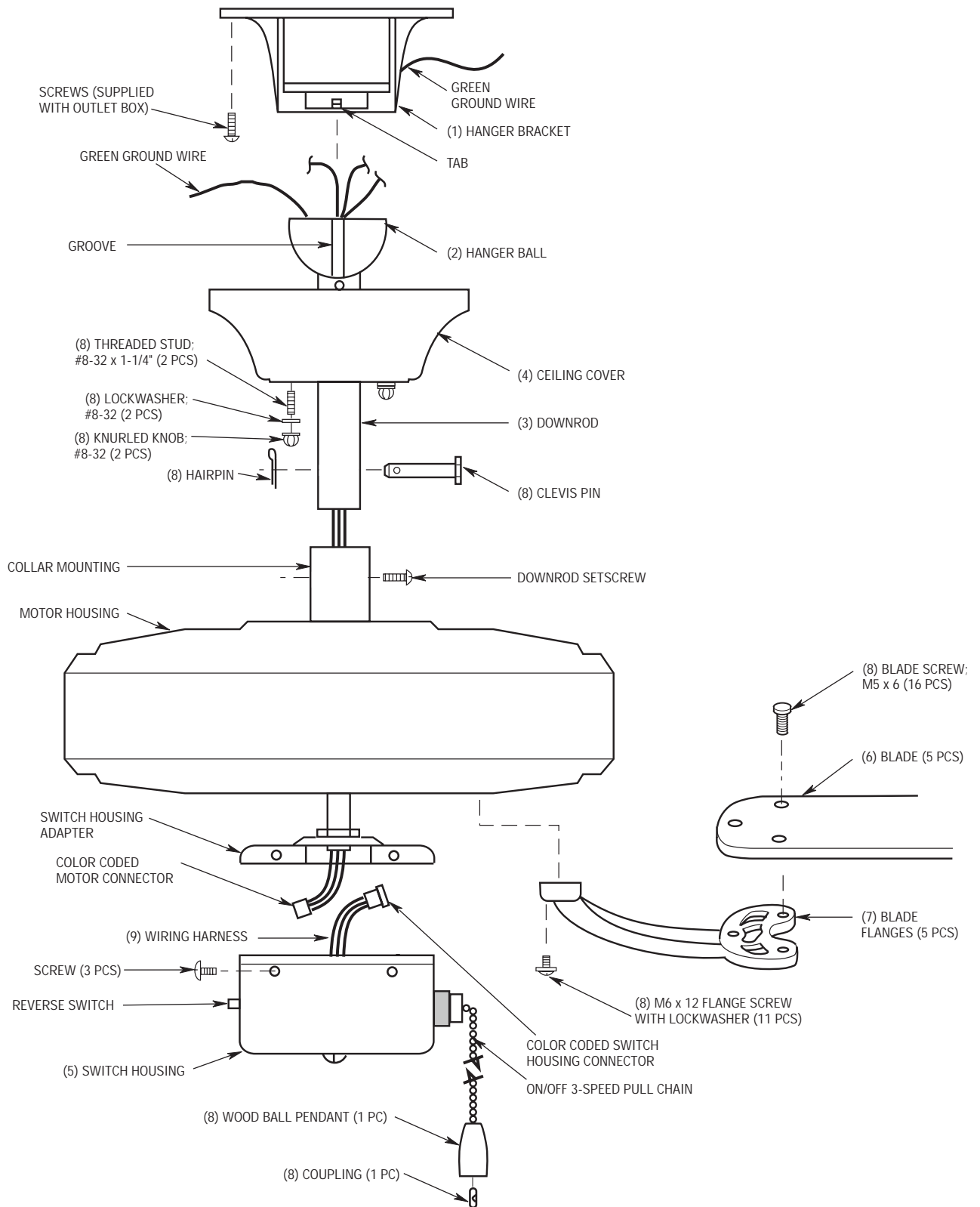
This product is designed to use only those parts supplied with this product and/or any accessories designated specifically for use with this product by Emerson Electric Co. Substitution of parts or accessories not designated for use with this product by Emerson Electric Co. could result in personal injury or properly damage.

 WARNING: FOR YOUR OWN SAFETY TURN OFF POWER AT FUSE BOX OR CIRCUIT BREAKER BEFORE TROUBLE SHOOTING YOUR FAN.

Trouble Shooting

TROUBLE	PROBABLE CAUSE	SUGGESTED REMEDY
1. Fan will not start.	<ol style="list-style-type: none"> 1. Fuse or circuit breaker blown. 2. Loose power line connections to the fan, or loose switch wire connections in the switch housing. 3. Reversing switch in neutral position. 	<ol style="list-style-type: none"> 1. Check main and branch circuit fuses or circuit breakers. 2. Check line wire connections to fan and switch wire connections in switch housing. <p> WARNING: Make sure main power is turned off.</p> <ol style="list-style-type: none"> 3. Make sure reversing switch position is all the way to one side.
2. Fan sounds noisy.	<ol style="list-style-type: none"> 1. Blades not attached to fan. 2. Loose screws in motor housing. 3. Screws securing fan blade holders to motor are loose. 4. Wire connectors inside switch housing rattling. 	<ol style="list-style-type: none"> 1. Attach blades to fan before operating. 2. Check to make sure all screws in motor housing are snug (not over-tight). 3. Check to make sure the screws which attach the fan blade holders to the motor are tight. 4. Check to make sure wire connectors in switch housing are not rattling against each other or against the interior wall of the switch housing. <p> WARNING: Make sure main power is turned off.</p>
3. Fan wobbles or shakes excessively.	<ol style="list-style-type: none"> 1. Setscrew in collar mounting is loose. 2. Setscrew in hanger ball/downrod assembly is loose. 3. Screws securing fan blade flanges to motor are loose. 4. Fan blade flanges are not seated properly. 5. Hanger bracket and/or ceiling outlet box is not securely fastened. 6. Fan blades are out of balance. 	<ol style="list-style-type: none"> 1. Tighten setscrew in collar mounting. 2. Tighten the setscrew in the hanger ball/downrod assembly. 3. Check to be sure screws which attach the fan blade flanges to the motor are tight. 4. Check to be sure the fan blade flanges seat firmly and uniformly to the surface of the motor. If flanges are seated incorrectly, loosen the holder screws and retighten. 5. Tighten the hanger bracket screws to the outlet box, and/or secure outlet box. 6. Interchanging an adjacent (side-by-side) blade pair can redistribute the weight and result in smoother operation.

Repair Parts



Before discarding packaging material, be certain all parts have been removed.

HOW TO ORDER REPAIR PARTS

WHEN ORDERING REPAIR PARTS, ALWAYS GIVE THE FOLLOWING INFORMATION:

- PART NUMBER
- PART DESCRIPTION
- NAME OF ITEM
- MODEL NUMBER

The model number of your Fan will be found on a label attached to the top housing.

For repair parts, phone 1-800-654-3545.

Repair Parts Listing

KEY NO.	DESCRIPTION	MODEL NUMBER					
		CF700WPB08	CF700WW08	CF700PB08	CF700AB08	CF700PBW08	CF700AW08
*	Hanger Ball Assembly, Consisting of:	760750-3	760750-3	760750-1	760750	760750-1	760750-41
1	Hanger Bracket	—	—	—	—	—	—
2	Hanger Ball	—	—	—	—	—	—
3	Downrod	—	—	—	—	—	—
4	Ceiling Cover	763103-WW	763103-WW	763103-PB	763103-AB	763103-PB	763103-AW
5	Switch Housing	763098-WW	763098-WW	763098-PB	763098-AB	763098-PB	763098-AW
6	Blade Assembly (set of 5)	763100-7	763100-7	763100-6	763100-6	763100	763100-8
7	Blade Flanges (set of 5)	763102-PB	763102-WW	763102-PB	763102-AB	763102-PB	763102-AW
8	Loose Parts Bag Containing:	763097-2	763097-3	763097-2	763097	763097-2	763097-1
	Pin Clevis (1)	—	—	—	—	—	—
	Wood Ball Pendant (1)	—	—	—	—	—	—
	Threaded Stud #8-32 x 1-1/4" (2)	—	—	—	—	—	—
	Screw, Flange M6 x 12 with Lockwasher (11)	—	—	—	—	—	—
	Screw, Blade M5 x 6 (16)	—	—	—	—	—	—
	Wire Connector (3)	—	—	—	—	—	—
	Hairpin (1)	—	—	—	—	—	—
	Lockwasher #8-32 (2)	—	—	—	—	—	—
	Knurled Knob #8-32 (2)	—	—	—	—	—	—
	Coupling (1)	—	—	—	—	—	—
9	Wiring Harness	762569-1	762569-4	762569	762569-2	762569-1	762569-4
—	Owner's Manual	BP7312-2	BP7312-2	BP7312-2	BP7312-2	BP7312-2	BP7312-2

KEY NO.	DESCRIPTION	MODEL NUMBER					
		CF700ORB08	CF700WB08	CF700BS08	CF700SCB08	CF700CK08	CF700BSW08
*	Hanger Ball Assembly, Consisting of:	760750-48	760750-39	760750-24	760750-36	760750-43	760750-24
1	Hanger Bracket	—	—	—	—	—	—
2	Hanger Ball	—	—	—	—	—	—
3	Downrod	—	—	—	—	—	—
4	Ceiling Cover	763103-ORB	763103-WB	763103-BS	763103-SCB	763103-CK	763103-BS
5	Switch Housing	763098-ORB	763098-WB	763098-BS	763098-SCB	763098-CK	763098-BS
6	Blade Assembly (set of 5)	763100-14	763100-9	763100-13	763100-11	763100-12	763100
7	Blade Flanges (set of 5)	763102-ORB	763102-WB	763102-BS	763102-SCB	763102-CK	763102-BS
8	Loose Parts Bag Containing:	763097	763097	763097-4	763097	763097-3	763097-3
	Pin Clevis (1)	—	—	—	—	—	—
	Wood Ball Pendant (1)	—	—	—	—	—	—
	Threaded Stud #8-32 x 1-1/4" (2)	—	—	—	—	—	—
	Screw, Flange M6 x 12 with Lockwasher (11)	—	—	—	—	—	—
	Screw, Blade M5 x 6 (16)	—	—	—	—	—	—
	Wire Connector (3)	—	—	—	—	—	—
	Hairpin (1)	—	—	—	—	—	—
	Lockwasher #8-32 (2)	—	—	—	—	—	—
	Knurled Knob #8-32 (2)	—	—	—	—	—	—
	Coupling (1)	—	—	—	—	—	—
9	Wiring Harness	762569-2	762569-2	762569-3	762569-2	762569-4	762569-4
—	Owner's Manual	BP7312-2	BP7312-2	BP7312-2	BP7312-2	BP7312-2	BP7312-2

LIMITED WARRANTY

What The Warranty Covers:

This warranty covers the motor and the other components and accessories of your Emerson ceiling fan against all defects in workmanship and materials. You must be the original purchaser or user of the product to be covered.

What The Period Of Coverage Is:

As it applies to the motor, this warranty will last for the lifetime of your ceiling fan. All other components and accessories are covered by this warranty for one year from the date you purchased your ceiling fan. ANY IMPLIED WARRANTY OF MERCHANTABILITY OR FITNESS FOR A PARTICULAR PURPOSE, MADE WITH RESPECT TO COMPONENTS AND ACCESSORIES IS ALSO LIMITED TO ONE YEAR.

What Will Emerson Electric Co. Do To Correct Problems:

Emerson Electric Co. will replace a defective Emerson Air Comfort Ceiling Fan motor, blade, component or other accessory at no charge to you. If repair of the motor or blades is not practical or possible within a reasonable time and no replacement can be provided, Emerson will refund the actual purchase price of your fan. We will ship the repaired product or replacement to you at no charge, but you are responsible for all costs of removal, reinstallation and shipping of the product to Emerson Electric Co.

How Can You Get Service:

YOU MUST HAVE PROOF OF YOUR PURCHASE OF THE CEILING FAN TO OBTAIN LIMITED WARRANTY SERVICE. KEEP YOUR RECEIPT OR OTHER PROOF OF PURCHASE. You can return the product to our factory or to your nearest authorized service center.

- To return the product to the factory, obtain a return authorization and service identification tag by writing to Air Comfort Products, Division of Emerson Electric Co., 8100 W. Florissant Ave., St. Louis, MO 63136. Include all model numbers shown on the product with your request.
- To return the product to an authorized service center, call 1-800-654-3545 for the address of the nearest authorized service center.

You will be responsible for all insurance, freight or other transportation charges to our factory or authorized service center. Your Emerson Air Comfort Ceiling Fan should be properly packed to avoid damage in transit since we will not be responsible for any such damage.

What Is Not Covered:

The glass globes and light bulbs of your ceiling fan are not covered by this warranty. This warranty also does not cover any defects, malfunctions or failures caused by:

- Repairs by persons not authorized by Emerson Electric Co.,
- Use of parts or accessories not authorized by Emerson Electric Co.,
- Mishandling, improper installation, modifications or damage to your ceiling fan while in your possession, or
- Unreasonable use, misuse, abuse, including failing to do reasonable and necessary maintenance, and normal wear and tear.

Additionally, this warranty and any implied warranty of merchantability or fitness for a particular purpose are voided when:

- The original purchaser or user ceases to own the product, or
- The fan is moved from its original point of installation.

This warranty is only valid within the 50 states of the United States and the District of Columbia. No other written or oral warranties apply, and no employee, agent, dealer or other person is authorized to give any warranties on behalf of Emerson Electric Co.

REPAIR, REPLACEMENT OR A REFUND ARE THE EXCLUSIVE REMEDIES AVAILABLE UNDER THIS WARRANTY AND EMERSON IS NOT RESPONSIBLE FOR DAMAGES OF ANY KIND, INCLUDING INCIDENTAL AND CONSEQUENTIAL DAMAGES. Incidental damages include but are not limited to such damages as loss of time and loss of use. Consequential damages include but are not limited to the cost of repairing or replacing other property which was damaged if this product does not work properly.

How State Law Relates To The Warranty:

Some states do not allow the exclusion or limitation of incidental or consequential damages so the above exclusion or limitation may not apply to you. This warranty gives you specific legal rights, and you may also have other rights which vary from state to state.



EMERSON

Air Comfort Products

**DIVISION OF EMERSON ELECTRIC CO.
8100 W. Florissant • St. Louis, MO 63136**