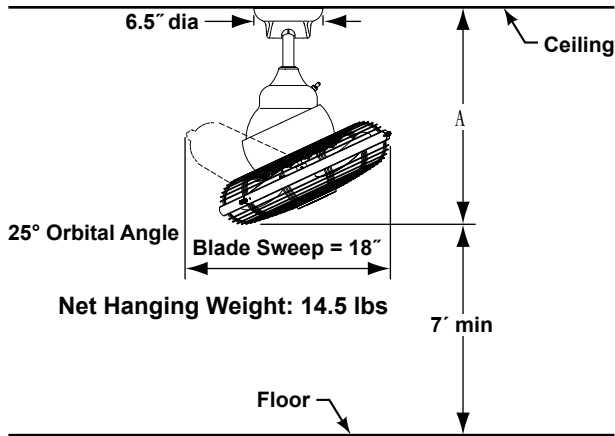


**EXTRAORDINAIRE®**

# OF110\*\* Orbital Ceiling Fan



	<b>A</b>
Fan w/6" downrod	20.75"
Fan w/12" downrod	26.75"
Fan w/18" downrod	32.75"
Fan w/24" downrod	38.75"
Fan w/36" downrod	50.75"
Fan w/48" downrod	62.75"
Fan w/60" downrod	74.75"
Fan w/72" downrod	86.75"

<b>Available Finish</b>	
PW	Pewter
SN	Satin nickel ( <b>Damp</b> )
OB	Oil-rubbed bronze ( <b>Damp</b> )

### INSTALLATION REQUIREMENTS:

Fan must be attached to a securely anchored electrical junction box capable of withstanding a load of at least 50 lbs.

### ELECTRICAL REQUIREMENTS:

Requires a grounded electrical supply line of 120 volts AC, 60 Hz, 15 amp circuit.

### MOTOR SPECS:

82 x 25 motor is designed for optimal performance with this fan.

### FAN SPEEDS:

3 forward, non-reversing, fan speeds with rotary switch (on top of motor).  
High—1,460rpm; Med—1,158rpm; Low—815rpm

### CONTROL OPTIONS:

CW110WH 3-speed fan-only wall control is included. Optional RC110WH hand-held remote control is available—sold separately. Instructions are provided with each control.

### DOWNROD OPTIONS:

Fan comes with a 1" dia. x 6" long downrod (DR1-6). Optional downrods available in 12", 18", 24", 36", 48", 60" and 72" lengths. A downrod coupler is available for installations requiring a downrod longer than 72". Fan can be mounted on a sloped ceiling up to 50°. Most sloped ceiling installations require a downrod longer than the standard 6" downrod. Optional close-to-ceiling kit is available as well—sold separately. Call technical support for more information.

### LOCATION USE:

Oil-rubbed bronze and satin nickel finishes rated for dry and damp locations.  
Pewter finish fan is rated for dry locations only.