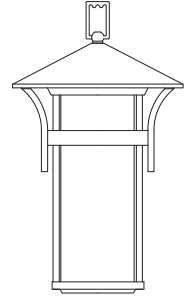
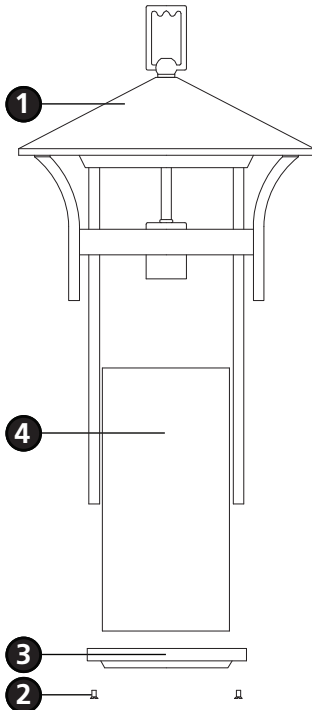


Family: Harbor | Item No. 2572 AR/TT



Drawing 1 - Glass Replacement



## ▼ start here

1

1. Find a clear area in which you can work.
2. Unpack fixture and glass from carton.
3. Carefully review instructions prior to assembly.

**\*\*\* The construction of this fixture will be accomplished by first making all necessary electrical connections, and then hanging the fixture from the ceiling.**

**SAFETY WARNING: READ WIRING AND GROUNDING INSTRUCTIONS (I.S. 18) AND ANY ADDITIONAL DIRECTIONS. TURN POWER SUPPLY OFF DURING INSTALLATION. IF NEW WIRING IS REQUIRED, CONSULT A QUALIFIED ELECTRICIAN OR LOCAL AUTHORITIES FOR CODE REQUIREMENTS.**

2

1. Please refer to the hanging instruction sheet (**I.S. 19-50**) provided to complete installation of this fixture.

Glass Replacement Instructions - see **Drawing 1**.

1. Remove the four screws **(2)** from the bottom of the cage **(1)**. Making sure to support the bottom plate **(3)** during this operation.
2. Drop bottom plate **(3)** down and glass **(4)** will drop down with the plate.
3. Place new glass **(4)** into bottom plate **(3)** and slip back up into the fixture.
4. Replace screws **(2)** removed earlier.

Note: Maximum wattage for 2572 fixture is 100 watts per bulb.

5.27.08