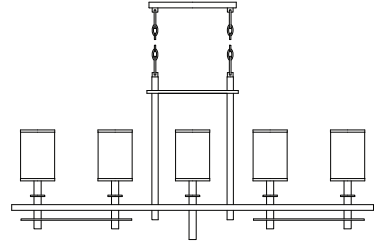
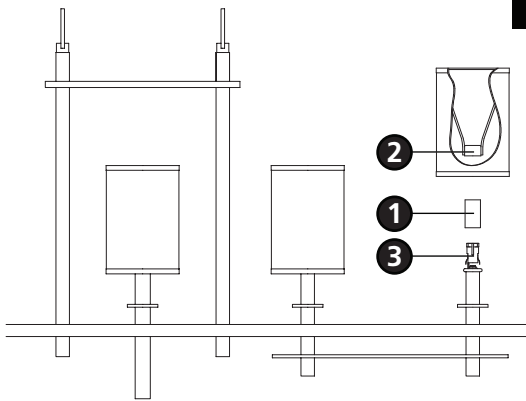


Family: Sloan | Item No. 4544 RB



Drawing 1 - Fixture Assembly



1

1. Find a clear area in which you can work.
2. Unpack fixture and glass from carton.
3. Carefully review instructions prior to assembly.

**\*\*\* The construction of this fixture will be accomplished by first assembling the main body of the fixture, making all necessary electrical connections, hanging the fixture from the ceiling, and then installing the shade.**

**SAFETY WARNING: READ WIRING AND GROUNDING INSTRUCTIONS (I.S. 18) AND ANY ADDITIONAL DIRECTIONS. TURN POWER SUPPLY OFF DURING INSTALLATION. IF NEW WIRING IS REQUIRED, CONSULT A QUALIFIED ELECTRICIAN OR LOCAL AUTHORITIES FOR CODE REQUIREMENTS.**

2

1. Make sure all of the candle sleeves (1) are slipped over sockets (3) - see **Drawing 1**.
2. Please refer to hanging instruction sheet (**I.S. 19-75**) provided to continue installation of this fixture. Then refer back to this sheet to install shade.

3

1. To install glass, slip shade cup (2) onto top of candle sleeve (1) - see **Drawing 1**.
2. Fixture can now be lamped accordingly.

Note: Maximum wattage for 4544 fixture is 60 watts per bulb.

11.4.09