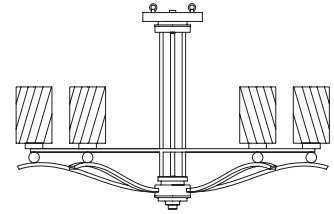
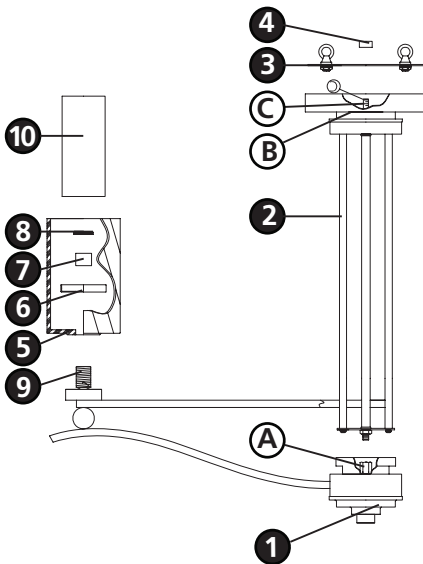


Family: Tides | Item No. 4784 CM



Drawing 1 - Fixture Assembly



▼ start here

1

1. Find a clear area in which you can work.
2. Unpack fixture and glass from carton.
3. Carefully review instructions prior to assembly.

***** The construction of this fixture will be accomplished by first assembling the main body of the fixture, installing the mounting hardware, making all necessary electrical connections, hanging the fixture from the ceiling, and then installing the glass.**

SAFETY WARNING: READ WIRING AND GROUNDING INSTRUCTIONS (I.S. 18) AND ANY ADDITIONAL DIRECTIONS. TURN POWER SUPPLY OFF DURING INSTALLATION. IF NEW WIRING IS REQUIRED, CONSULT A QUALIFIED ELECTRICIAN OR LOCAL AUTHORITIES FOR CODE REQUIREMENTS.

2

1. Slip center column (2) along wire and thread into coupler (A) located in the center of the body assembly (1). Note: The oval top canopy (B) may need to be adjusted to line up correctly with the body assembly (1). This is accomplished by loosening the hex nut inside canopy (B), aligning the canopy (B) and then tightening the hex nut.
2. Slip cap plate (3) along wire and slip over center stem (C).
3. Thread knob (4) onto center stem (C) and tighten.
4. Please refer to the hanging instruction sheet (I.S. 19-75) provided to hang fixture. Then refer back to this sheet to install glass.

3

1. To install glass, remove socket ring (8), spacer (7) and retainer plate (6) from socket (9).
2. Slip glass (5) over socket (9).
3. Slip retainer plate (6), open side up, over socket (9).
4. Slip spacer (7) and thread socket ring (8) onto socket (9) and tighten to secure glass (5).
5. This fixture can now be lamped accordingly.
6. Slip glass (10) into inside of retainer ring (6).

Note: Maximum wattage for 4784 fixture is 60 watts per bulb.

4.15.08