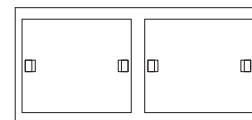


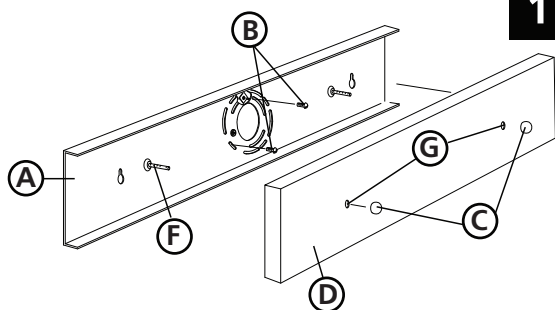
Family: Daphne | Item No. 5922 CM/BN



▼ start here

Drawing 1 - Fixture Mounting

1

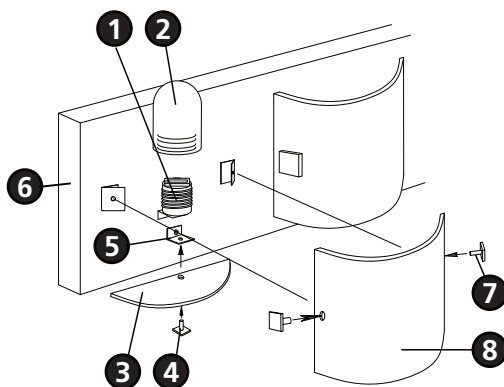


1. Find a clear area in which you can work.
2. Unpack fixture and glass from carton.
3. Carefully review instructions prior to assembly.

***** The construction of this fixture will be accomplished by first mounting the mounting the retainer plate to the junction box, making all necessary electrical connections, mounting the backplate to the retainer plate and then installing the fixture glass.**

Drawing 2 - Glass Installation

2



1. Release mounting strap (A) by removing the 2 ball knobs (C) on the front of the fixture's backplate (D) - see **Drawing 1**.
2. Remove retainer plate (A) from backplate (D).
3. Attach retainer plate (A) to junction box using two 8-32 screws (B).
4. Additional screws can be installed at points (E) for additional mounting support. Please use appropriate anchor for material the fixture is being mounted to.

SAFETY WARNING: READ WIRING AND GROUNDING INSTRUCTIONS (I.S. 18) AND ANY ADDITIONAL DIRECTIONS. TURN POWER SUPPLY OFF DURING INSTALLATION. IF NEW WIRING IS REQUIRED, CONSULT A QUALIFIED ELECTRICIAN OR LOCAL AUTHORITIES FOR CODE REQUIREMENTS.

Make electrical connections from supply wire to fixture lead wires. Refer to instruction sheet (I.S. 18) and follow all instructions to make all necessary wiring connections. Then refer back to this sheet to continue installation of this fixture.

3

4

1. To mount fixture, slip holes (G) in backplate (D) over screws (F) on retainer plate (A) - see **Drawing 1**.
2. While holding fixture in place, thread the two ball knobs (C) on to the end of screws (F), and tighten to secure backplate to the wall.

5

1. Prior to installing glass, fixture can now be lamped accordingly. Note: During the installation of the bulbs, do not touch the glass portion with your fingers. Gloves are recommended.
2. Thread bulb shield (2) onto socket - see **Drawing 2**.
3. Remove decorative knob (4) from lower glass mounting bracket (5) below the socket.
4. Attach glass (3) to glass mounting bracket (5) using decorative knob (4).
5. Remove decorative knobs (7) from glass mounting bracket (6).
6. Slip glass (8) over mounting bracket (6) and line up holes in glass with holes in bracket.
7. Thread decorative knob back into mounting bracket (6) to secure glass to fixture.
8. Repeat steps 1-7 for remaining pieces of glass.

Note: Maximum wattage for 5922 fixture is 60 watts per G9 bulb.

4.26.10

Drawing 1 - Flush Mount



Drawing 2 - Chain Hung



Drawing 3 - Post-Mount



SAFETY WARNING: READ WIRING AND GROUNDING INSTRUCTIONS (I.S. 18) AND ANY ADDITIONAL DIRECTIONS. TURN POWER SUPPLY OFF DURING INSTALLATION. IF NEW WIRING IS REQUIRED, CONSULT A QUALIFIED ELECTRICIAN OR LOCAL AUTHORITIES FOR CODE REQUIREMENTS.

wiring instructions

Indoor Fixtures

1. Connect positive supply wire **(A)** (typically black or the smooth, unmarked side of the two-conductor cord) to positive fixture lead **(B)** with appropriately sized twist on connector - see **Drawings 1 or 2**.
2. Connect negative supply wire **(C)** (typically white or the ribbed, marked side of the two-conductor cord) to negative fixture lead **(D)**.
3. Please refer to the **grounding instructions** below to complete all electrical connections.

Outdoor Fixtures

1. Connect positive supply wire **(A)** (typically black or the smooth unmarked side of the two-conductor cord) to positive fixture lead **(B)** with appropriately sized twist on connector - see **Drawings 2 or 3**.
2. Connect negative supply wire **(C)** (typically white or the ribbed, marked side of the two-conductor cord) to negative fixture lead **(D)**.
3. Cover open end of connectors with silicone sealant to form a watertight seal.
 - If installing a wall mount fixture, use caulk to seal gaps between the fixture mounting plate (backplate) and the wall. This will help prevent water from entering the outlet box. If the wall surface is lap siding, use caulk and a fixture mounting platform specially.
4. Please refer to the **grounding instructions** below to complete all electrical connections.

grounding instructions

Flush Mount Fixtures

For positive grounding in a 3-wire electrical system, fasten the fixture ground wire **(E)** (typically copper or green plastic coated) to the fixture mounting strap **(1)** with the ground screw **(2)** - see **Drawing 1**.

Note: On straps for screw supported fixtures, first install the two mounting screws in strap. Any remaining tapped hole may be used for the ground screw.

Chain Hung Fixtures

Loop fixture ground wire **(E)** (typically copper or green plastic coated) under the head of the ground screw **(2)** on fixture mounting strap **(1)** and connect to the loose end of the fixture ground wire directly to the ground wire of the building system with appropriately sized twist-on connectors - see **Drawing 2**.

Post-Mount Fixtures

Connect fixture ground wire **(E)** (typically copper or green plastic coated) to power supply ground with appropriately sized twist-on connector inside post. Cover open end of connector with silicone sealant to form a watertight seal - see **Drawing 3**.