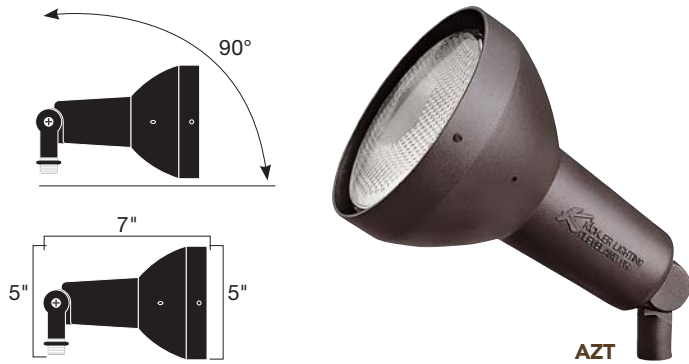
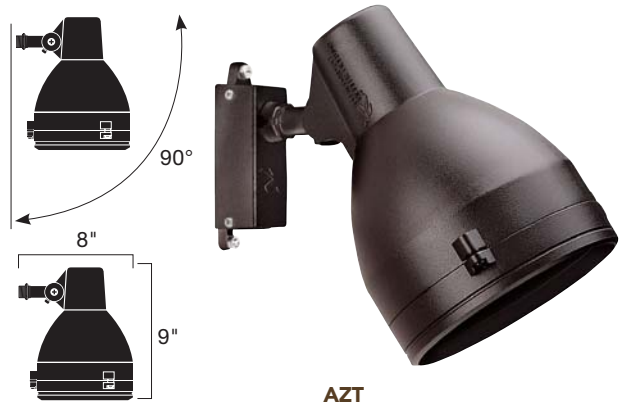


LARGE
COMPACT



15250 AZT

DOWNLIGHT



15255 AZT

	15250 AZT	15255 AZT
Ordering Guide & Finish	15250 AZT	15255 AZT
Housing	Textured Architectural Bronze	Textured Architectural Bronze
Lamp Base	4000V (4KV) pulse rated medium base porcelain socket	4000V (4KV) pulse rated medium base porcelain socket
Supplied Lamp	Lamp not supplied unless noted	Lamp not supplied unless noted
Incandescent Lamp Options	100-W Max. PAR38 Metal Halide or 100-W Max. PAR38 Incandescent	175-W Max. PAR38 Metal Halide, 100-W Max. E17 Metal Halide or 150-W Max. PAR38/R40 Incandescent Reflector: for use with E17 lamp. Removable for PAR38/R40 use.
LED Lamp Options	12W PAR30L Wet (18111-18116) see page 166. Compares up to 50W Halogen.	17W PAR38 Wet (18093-18098) see page 166. Compares up to 75W Halogen.
Wiring	8" of usable 200°C 18 AWG wire leads	8" of usable 200°C 18 AWG wire leads
Optional Mounting Access.	15276 – Power Post® 15601 – Surface Mounting Flange, for attachment to junction box (not included) 15609 – Junction Box Mounting Bracket	15601 – Surface Mounting Flange, for attachment to junction box (not included) 15609 – Junction Box Mounting Bracket
Optional Lens Accessories	15620 – Medium Cowl 15628 – Long Cowl 15623 – Blue Filter 15637 – Hexcell Louver	15660 – Medium Cowl 15668 – Long Cowl
Notes	Accents require remote ballasts for High Intensity Discharge. See HID Ballast Guide on page 159 and 120V Lamp Guide on page 166. For Lamp Photometrics see page 169.	Accents require remote ballasts for High Intensity Discharge. See HID Ballast Guide on page 159 and 120V Lamp Guide on page 166. For Lamp Photometrics see page 169.