

INSTALLATION INSTRUCTIONS

ITEM # P583-084 / P584-084 12/19/2012

WARNING! SHUT POWER OFF AT FUSE OR CIRCUIT BREAKER.

AVERTISSEMENT! COUPER LE COURANT AU NIVEAU DES FUSIBLES OU DU DISJONCTEUR.

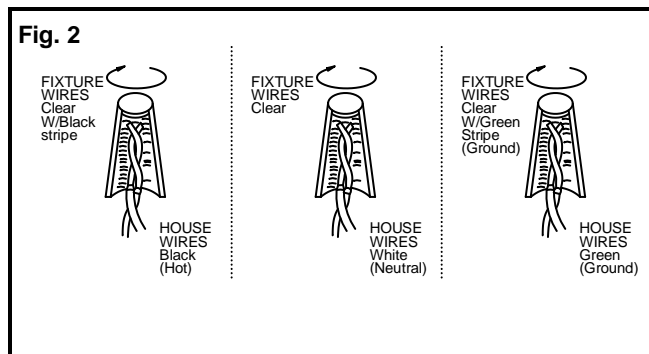
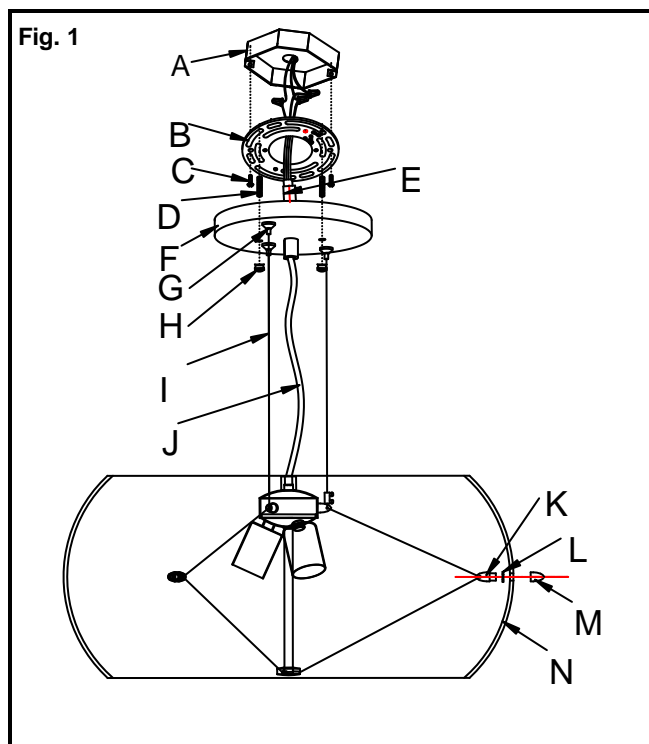
MOUNTING THE BACKPLATE (Fig.1)

1. Shut off the power at the circuit breaker and remove old fixture, including the crossbar.
2. Carefully unpack your new fixture and lay out all the parts on a clear area. Take care not to lose any small parts necessary for installation.
3. Attach the Circular Strap (B) to the outlet box in the ceiling with two Screws (C). The side of the Circular Strap with "GND" marked on it and two convex points must face out.
4. Thread two Threaded Studs (D) into the pre-drilled holes in the Circular Strap (B) spaced the same distance apart as the hole in the Canopy (F).
5. Adjust Cable (I) according to the desired distance from ceiling to hang fixture. Push the Button (G) at the outside face of the Canopy (F) to extend cable. Pulling the cable without pushing the Button (G) can restrict the Cable (I). Cut Cable (I) to length if necessary.
6. Determine desired distance from ceiling to hang the fixture, and if necessary, cut cord to length plus five inches. Run the wired cord through the Canopy (F).
7. Install the Strain Relief Bushing (E) by unscrewing the screw and pushing the cord through the center of both parts until about 5" of cord is exposed. Tighten screw from the Strain Relief Bushing (E). (You may need someone to hold the fixture while installing the Strain Relief Bushing.) The fixture can now hang from the Strain Relief Bushing (E).
8. Carefully cut and remove approximately 4" of the outer sheathing from cord and strip 1/2" of the wire ends bare to expose the copper strands.

CONNECTING THE WIRES (Fig. 2)

9. Connect the electrical wires as shown in Fig. 2, making sure that all wire connectors are secured. If your outlet box has a ground wire (green or bare copper), connect the fixture's Ground Wire to it. Otherwise, connect the fixture's Ground Wire directly to the Circular Strap using the Green Screw provided.
10. After the wires are connected, tuck them carefully into Outlet Box (A), then place the Canopy (F) through the Threaded Studs (D) and secure tightly with Knurled Knobs (H).
11. **CAUTION: DO NOT CONNECT THE ELECTRICAL WIRES TO THE STEEL SUPPORT CABLES (I).**
12. Thread the Coupling (K) into the Plastic Washer (L) and the hole of the Glass Shade (N), then secure with Cap Nut (M).
13. Install light bulbs (NOT INCLUDED) in accordance with fixture specifications, **(DO NOT EXCEED THE MAXIMUM WATTAGE RATING!) (NE PAS DEPASSER LA PUISSANCE NOMINALE MAXIMALE!)100W E26 LAMPS**

Your installation is now complete. Return power and test the fixture.



Note: Illustration (Fig. 1) on this manual is for installation purposes only. It may or may not be identical to the fixture purchased

IMPORTANT: FIXTURE SHOULD BE INSTALLED BY A QUALIFIED ELECTRICIAN TO ENSURE PROPER WIRING AND INSTALLATION.



LA-1024E