

INSTALLATION INSTRUCTION FOR 4362

**WARNING! SHUT POWER OFF AT FUSE OR CIRCUIT BREAKER .
AVERTISSEMENT! COUPER LE COURANT AU NIVEAU DES FUSIBLES OU DU DISJONCTEUR.**

READ AND SAVE THESE INSTRUCTIONS

PREPARATION

1. Shut off the power at the fuse box or circuit breaker box. If necessary. Remove old fixture and all mounting hardware from wall junction box.
2. Carefully unpack your new fixture and lay out all the parts on a clear area. Take care not to loose any small parts necessary for installation.

ASSEMBLING THE FIXTURE

3. Thread rod (J) into the coupling (L), thread rod (I) into rod (J), thread the rod (H) onto the nipple (I), thread the rod (G) onto the nipple (H). Feed the wires through each rod as needed.
4. Thread the pipe (G) onto the coupling (F).
5. Attach the lamp shade (Q) to lamp body (M) using finials (R). Then attach the diffuser supports (O) to lamp body (M) using thumb screws (N).
6. Place the plastic washers (U) Glass diffuser (T) plastic washers (S) to the nipples of the "U" shape steel pipe (V), and then align the "U" shape steel pipe (V) onto the threaded ends (P) of the diffuser supports (O), tighten the threaded ends (P) until the glass diffuser is securely attached onto the diffuser supports (O).
7. Install the proper light bulbs for your fixture.

(DO NOT EXCEED THE MAXIMUM WATTAGE RATING!) (NE PAS DEPASSER LA PUISSANCE NOMINALE MAXIMALE!)

MOUNTING THE FIXTURE (FIG.1)

8. Thread the two mounting screws (A) part way into the mounting bar (B). Secure the mounting bar (B) to junction box (not provided) with the junction box screws (C) through slotted holes in mounting bar (B).

CONNECTING THE WIRES (Fig. 2)

9. Connect the fixture wires to the junction box wires as shown in Fig. 2. Make sure all wire connectors are secure and do not easily pull off with a slight tug. If there is no Green Ground Wire from the junction box, connect the Fixture Ground Wire to the Circular Strap or the Mounting bar with the Green Screw provided.
10. Tuck these wire connections neatly into the wall junction box.
11. Raise the canopy (D) allowing for the mounting screws (A) to protrude through the holes on the canopy (D), then secure with the finials (E).

COMPLETING THE INSTALLATION

Return the power to the junction box and test the fixture. Your installation is now complete.

FIG.1

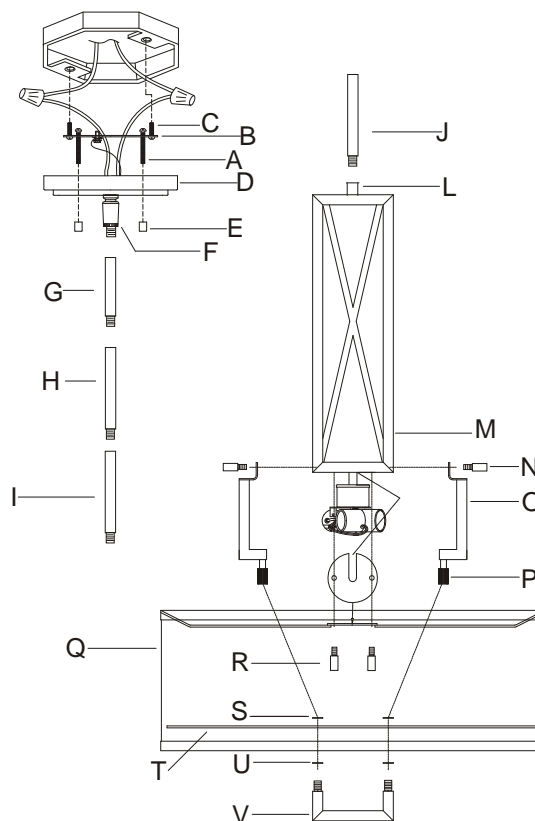


Fig.2

