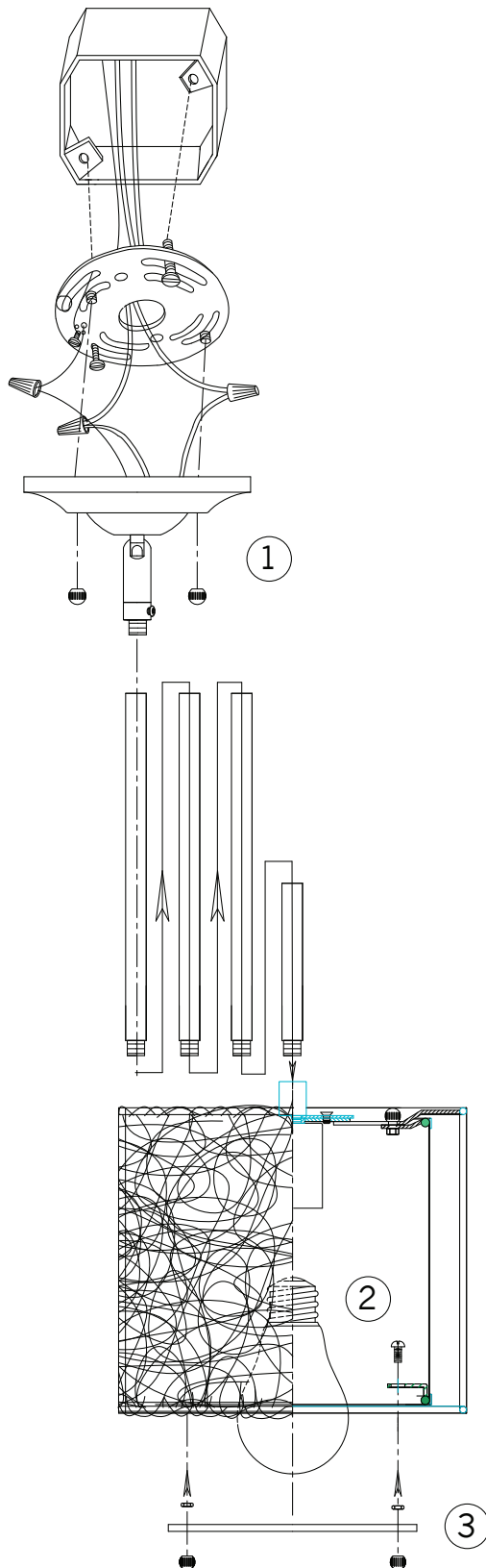


Assembly Instructions For

P1250

(E) 12/11



IMPORTANT
TURN OFF THE POWER AT THE MAIN FUSE
OR CIRCUIT BREAKER BOX
BEFORE STARTING INSTALLATION

Carefully unpack and identify all parts before assembly. Bulbs not included.

1. Follow enclosed supplement installation instructions for electrical and fixture installation onto house outlet box. If you do not have an outlet box at desired location to attach the fixture then hire a qualified electrician to create one.
2. Install bulb (not included). See relamping label located near socket area for type and maximum allowed wattage.
3. Place glass plate onto frame and secure with washer and cap nut.

