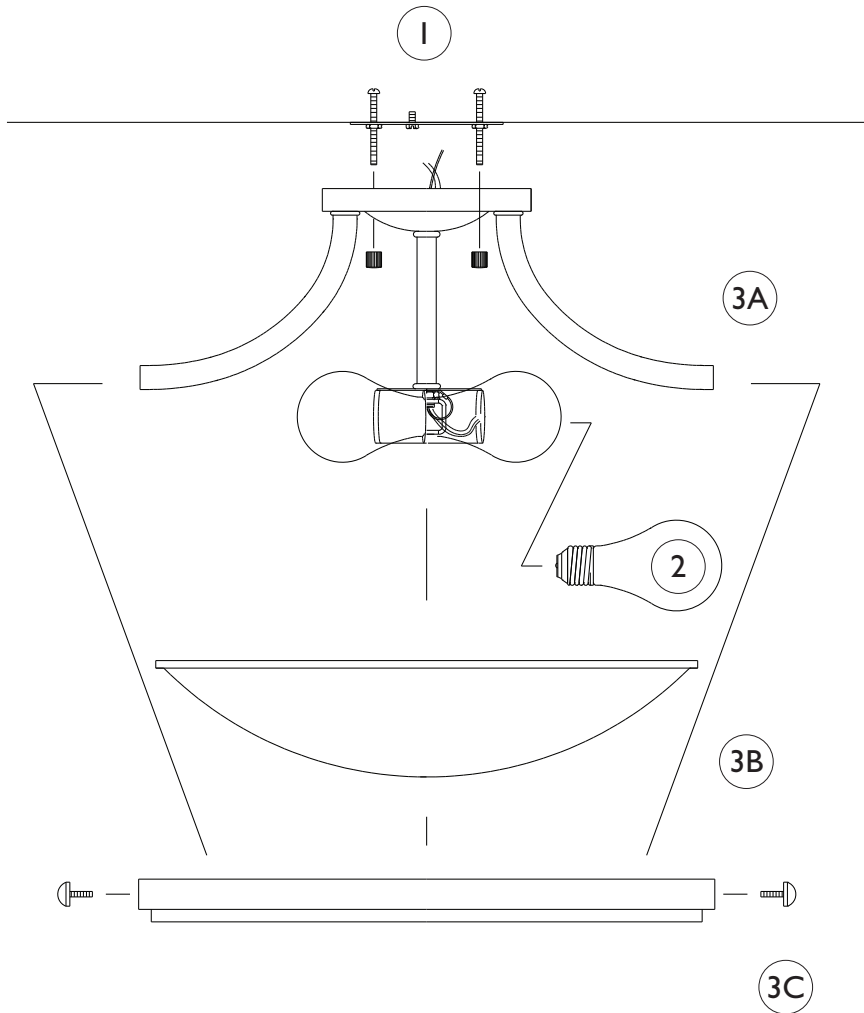


Assembly Instructions For

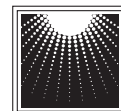
SF283 (E) 5/10



IMPORTANT **TURN OFF THE POWER AT THE MAIN** **FUSE OR CIRCUIT BREAKER BOX** **BEFORE STARTING INSTALLATION**

Carefully unpack and identify all parts before assembly. Bulbs not included.

1. Follow enclosed supplement installation instructions for electrical and fixture installation onto house outlet box. If you do not have an outlet box at desired location to attach the fixture then hire a qualified electrician to create one.
2. Install light bulb (not included). See relamping label at socket area for type and maximum allowed wattage.
3. A. Turn arms so they are equally spaced apart.
B. Gently place glass shade inside of ring.
C. While one person is firmly holding onto metal ring, along with glass shade, have another person install ring onto arms by fastening with cap screws.



MURRAY
FEISS

GENERATION
BRANDS™