

DESCRIPTION

TRIM RING BAFFLE:

- Polymeric construction with matte white finish
- Recessed styling, mounts flush with finished ceiling

LAMP:

- Uses R30-shaped, 14W, high efficacy, compact fluorescent lamp with GX24q-1 base (included)
- Electronic ballast

BLOWER:

- Plug-in, permanently lubricated, motor
- Dynamically balanced centrifugal blower wheel for quiet, efficient performance
- Low RPM for quiet operation

HOUSING:

- Fits in 2" x 8" construction
- Rugged, 26 gage, galvanized steel construction
- 4" round, polymeric duct connector with 2" tapered sleeve and no metallic clatter
- Adjustable mounting brackets span up to 24"

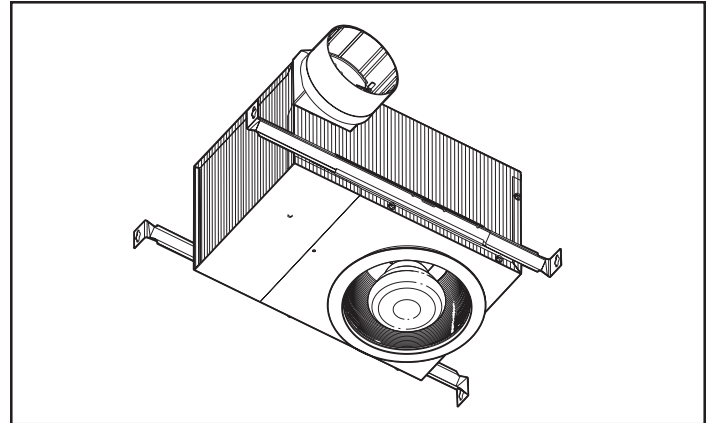
CONTROLS: (purchase separately)

- Model VS-96 - One rocker switch with "on" indicator light
- Model VS-86SN - Two rocker switches - fits single outlet box
- Model VS-66WH - 60-minute timer for fan and rocker switch for light

U.L. Listed for use in insulated ceilings (TYPE I.C.)

U.L. Listed for use over bathtubs and showers when connected to a GFCI protected branch circuit.

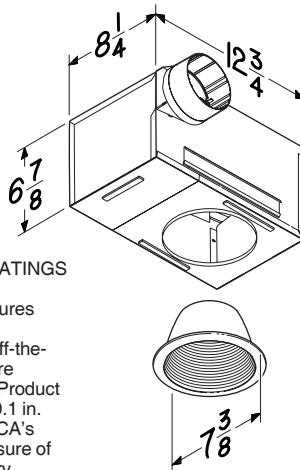
Recessed Fluorescent Light / Fan MODEL 744FLNT



SPECIFICATIONS

VOLTS	AMPS*	SONES	CFM	DUCT
120	0.7	1.5	70	4" Round

* Total Connected Load



HVI-2100 CERTIFIED RATINGS comply with new testing technologies and procedures prescribed by the Home Ventilating Institute, for off-the-shelf products, as they are available to consumers. Product performance is rated at 0.1 in.

static pressure, based on tests conducted in AMCA's state-of-the-art test laboratory. Sones are a measure of humanly-perceived loudness, based on laboratory measurements.

ARCHITECT'S SPECIFICATION

- Light / Fan shall be NuTone Model 744FLNT as manufactured by NuTone according to specifications listed:
- Light / Fan shall have corrosion resistant steel housing and adjustable mounting brackets.
- Motor assembly to be removable and permanently lubricated.
- Non-metallic damper/duct connector to be included.
- Light and Fan to operate separately or in combination.
- Light / Fan must use an R30-shaped, 14W, high efficacy, pin-based, compact fluorescent lamp and an electronic ballast.
- Air delivery shall be no less than 70 CFM and sound level no greater than 1.5 Sones. All air and sound ratings shall be certified by HVI.
- Light / Fan must be U.L. and cU.L. Listed for use in insulated ceilings (Type I.C.).

INSTALLATION

Complete installation instructions are included with each Recessed Light / Fan.

NuTone, Inc., 4820 Red Bank Road, Cincinnati, OH 45227 (1-888-543-8687)

REFERENCE	QTY.	REMARKS	Project
			Location
			Architect
			Engineer
			Contractor
			Submitted by Date