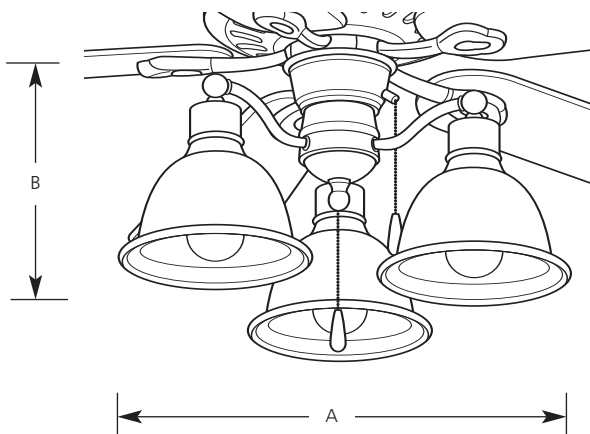


Type _____
 -09 -12 -20 -33
 P2623

Catalog No.	Finish				Dimensions (Inches)	
	Brushed Nickel	Antique Bronze	Antique Bronze	Cobble-stone	A	B
P2623	-09	-12	-20	-33	19	8



Specifications:

General

- Three etched glass bell shaped shades
- Pull chain on brushed nickel (-09) finish is chrome with a white fob, and on satin brass (-12) is polished brass with a walnut fob, and the others have an antique brass chain with a walnut fob
- Utilizes (3) 60-watt medium base lamps, or (3) 13-watt medium base spiral CFL (included)

Mounting

- Universal - use with any indoor fan with a 1/4" IPS light kit mount

Electrical

- Medium based ceramic sockets
- Quick connect wiring to fan
- Prewired

Labeling

- UL listed