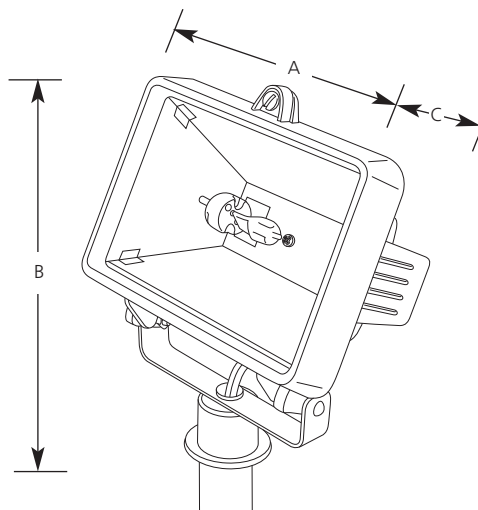


Type _____
 -31WB
 P5239

Catalog No.	Finish Black	Lamping	Dimensions (Inches)		
			A	B	C
P5239	-31WB	1-50w G4 Bi-pin	5-1/4	6	3-1/2



Specifications:

General

- Cast aluminum material
- Specular aluminum reflector
- Powder coat Black finish
- Tempered lens front cover: 5-3/16" L x 3-5/8" W x 0.115mm D
- Front hinged cover for easy re-lamping
- Cover is locked with stainless steel screw
- Rotating strap mount with locking screw for fixture aiming
- Mounting ground stake included
- 50 watt halogen lamp included
- Low voltage landscape fixture

Mounting

- Stake P8618-31 included

Electrical

- Ceramic G4 Bi-Pin socket
- 36" inches of wire
- Units must be wired to an approved 12V transformer of proper capacity
- Recommend P8673-31R connectors or equal

Labeling

- UL-CUL wet location listed