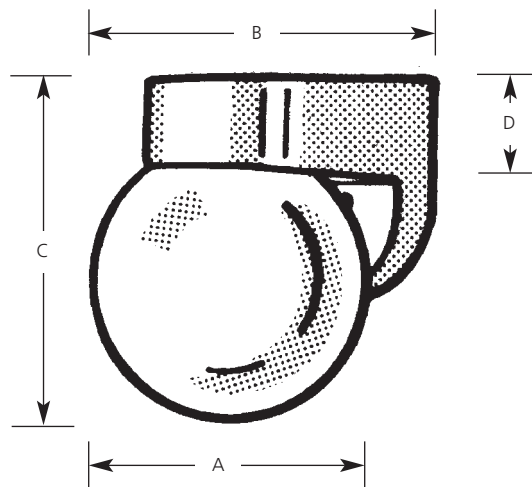


Type \_\_\_\_\_  
 -30 -31  
 P5813

Catalog No.	Finish		Lamping	Dimensions (Inches)			
	White	Black		A	B	C	D
P5813	-30	-31	1-60w A19	6	6-1/2	7-3/4	2-1/2



**Specifications:**

General

- Black or White finish
- Polycarbonate wall bracket
- 6" acrylic globe
- Globe held in place with a thumbscrew

Electrical

- Medium based ceramic socket with nickel-plated brass screw shell

Labeling

- UL-CUL wet location listed

Mounting

- Wall mount
- Covers outlet box
- Outlet box strap with center lock-up furnished
- Back plate 4-3/8" W., 4-3/4" ht.