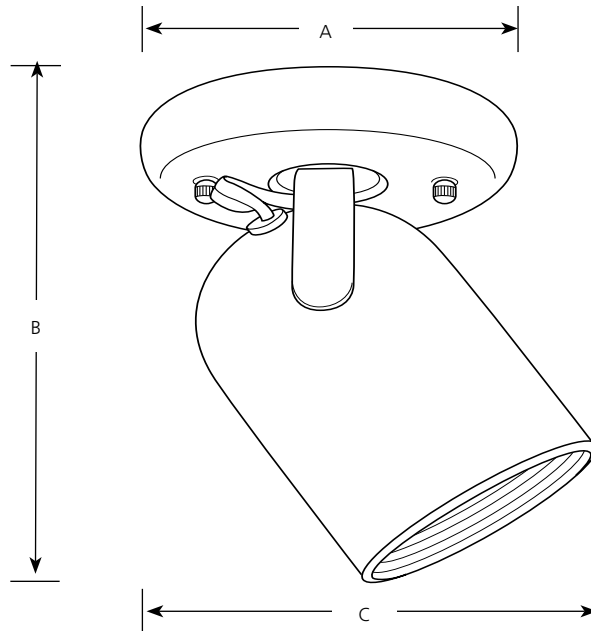


Type _____
 -09 -30 -174
 P6147

Catalog No.	Finish			Lamping	Dimensions (Inches)		
	Brushed Nickel	White	Urban Bronze		A	B	C
P6147	-09	-30	-174	1-50w PAR20	5	6-1/2	5-1/2



Specifications:

General

- Solid round back style
- Plated Brushed Nickel (-09) and painted white (-30) and Urban Bronze (-174) finishes
- Complete with black plastic baffle
- 180 degree vertical and 360 degree horizontal adjustment.
- Matching two and three lamp units available.
- Steel construction

Mounting

- Wall or ceiling mounted
- Canopy covers a standard recessed 4" octagonal outlet box
- Mounting strap for outlet box included

Electrical

- Ceramic medium based socket
- Pre-wired

Labeling

- UL-CUL listed