

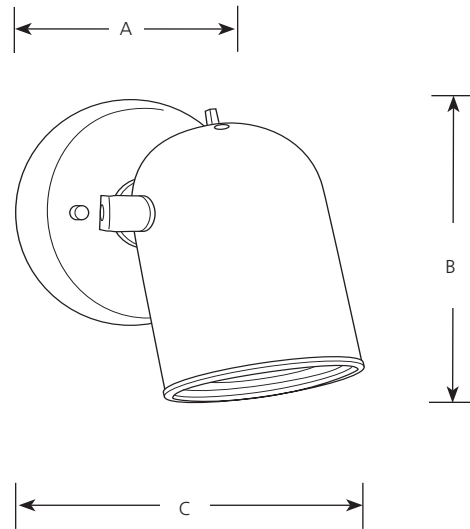


Incandescent

**Directionals**

	Type		
	-09	-30	-174
P6155	<input type="checkbox"/>	<input type="checkbox"/>	<input type="checkbox"/>
P6156	<input type="checkbox"/>	<input type="checkbox"/>	<input type="checkbox"/>

Catalog No.	Finish				Dimensions (Inches)		
	Brushed Nickel	White	Urban Bronze	Lamping	A	B	C
P6155	-09	-30	-174	1-50w PAR20	5	5-1/4	7
P6156	-09	-30	-174	1-75w PAR30	5	5-1/2	6-7/8



**Specifications:**

General

- Solid round back style
- Includes a on-off twist switch mounted in the top of the head
- Complete with black plastic baffle
- 180 degree vertical and 360 degree horizontal adjustment.
- Plated Brushed Nickel (-09), and painted white (-30) and Urban Bronze (-174) finishes
- Matching two lamp units available.
- Steel construction

Mounting

- Wall or ceiling mounted
- Canopy covers a standard recessed 4" octagonal outlet box
- Mounting strap for outlet box included

Electrical

- Ceramic medium based socket
- Pre-wired

Labeling

- UL-CUL listed

Progress Lighting  
 701 Millennium Blvd.  
 Greenville, South Carolina  
 29607

www.progresslighting.com

Rev. 11/07