



Incandescent

Roman Bronze Lanterns

Outdoor

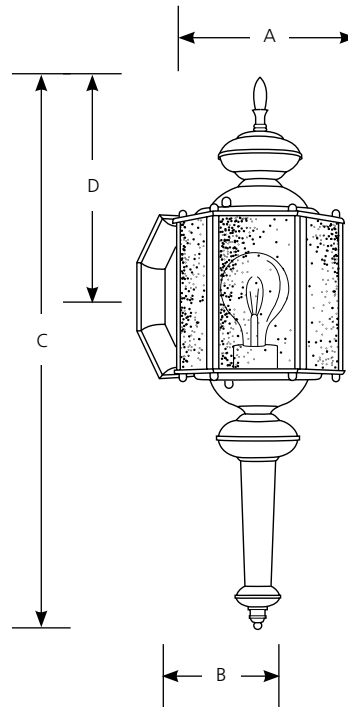
Wall Mount

Type _____

-19

P5773

Catalog No.	Finish Roman Bronze	Lamping	Dimensions (Inches)			
			A	B	C	D
P5773	-19	1-100w A19	5-3/4	5-3/4	18-1/4	7-1/4



Specifications:

General

- Wall lantern - Traditional hexagonal style
- Roman Bronze finish
- Solid brass construction
- Clear seeded glass
- Lamp replacement remove top of unit
- Matching post top and chain hung units available

Mounting

- Wall mounted
- Covers standard junction box
- Mounting strap for outlet box and cap nuts provided
- Back plate - 4-3/4" W., 5-1/2" ht.

Electrical

- Medium based ceramic socket with nickel plated brass screw shell

Labeling

- UL-CUL wet location listed