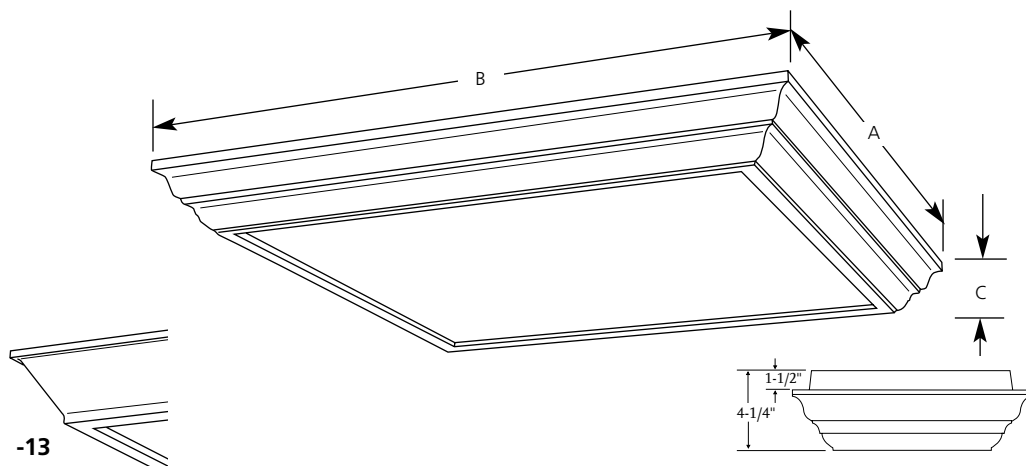


	Type				
	-01	-13	-30	-35	-36
P7273	<input type="checkbox"/>	<input type="checkbox"/>	<input type="checkbox"/>	<input type="checkbox"/>	<input type="checkbox"/>
P7274	<input type="checkbox"/>	<input type="checkbox"/>	<input type="checkbox"/>	<input type="checkbox"/>	<input type="checkbox"/>
P7275	<input type="checkbox"/>	<input type="checkbox"/>	<input type="checkbox"/>	<input type="checkbox"/>	<input type="checkbox"/>
P7276	<input type="checkbox"/>	<input type="checkbox"/>	<input type="checkbox"/>	<input type="checkbox"/>	<input type="checkbox"/>

Catalog No.	Finish					Chassis	Dimensions (Inches)		
	Unfinished	Brushed Steel	White	Natural Oak	White Wash Oak		A	B	C
P7273	-01	-13	-30	-35	-36	P7213-30*	26	26-1/2	4-3/4
P7274	-01	-13	-30	-35	-36	P7214-30*	15	50-1/2	4-3/4
P7275	-01	-13	-30	-35	-36	P7215-30*	18	50-1/2	4-3/4
P7276	-01	-13	-30	-35	-36	P7216-30*	26-1/2	50-1/2	4-3/4

*Specify ES or EB (See Chassis spec. sheet)



Specifications:

General

- Crown molding configuration on all wood finishes. Brushed Steel (-13) profile has straight edges.
- Unfinished (-01) can be stained to match wood cabinets, ceiling, or walls
- Brushed steel (-13) is ideal for complementing stainless steel kitchen appliances. Finish is integral to vinyl laminate material.
- White finish (-30) trim can be painted to match room decor
- Natural (-35) and White Wash (-36) Oak trims are real oak construction

- Lift and shift action for easy removal for cleaning and lamp replacement
- All white acrylic lay-in diffuser
- Chassis is regressed when diffuser is installed
- For use with designated chassis as shown

Mounting

- Mounts only on designated chassis (see above and refer to Chassis spec. sheets)

P7215-30ES/P7275-35

P7215-30ES WITH P7275-35

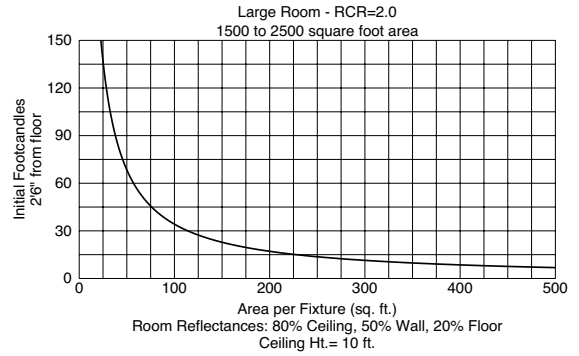
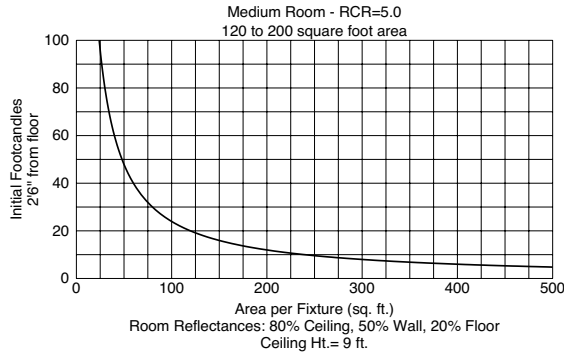
Report No. 99018

No. Lamps: 4 Type Lamp: F40CW/RS/SS-SYLVANIA Total Lumens: 11400

Fixture Efficiency: 33.6%

S/MH Ratio: 1.4 (0) 1.3 (90)

Quick Calculator Charts

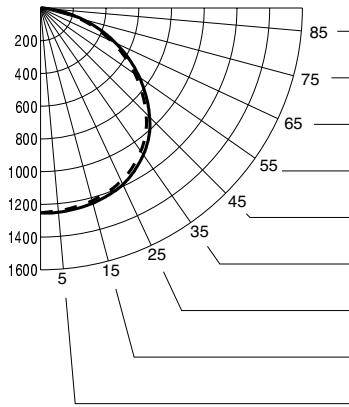


Single Fixture Data

Ceiling Ht.(Ft.)	10% Values		Zero Degrees	50% Values	
	Beam Angle - 112			Beam Angle - 68	
	Ft.-C	Beam Dia.		Ft.-C	Beam Dia.
8	4.1	16	41.4	20.7	7
10	2.2	22	22.3	11.1	10
12	1.4	28	13.9	6.9	13
14	0.9	34	9.5	4.7	15
16	0.7	40	6.9	3.4	18

Ft.-C (Footcandles) are initial and measured 2'-6" from floor

DISTRIBUTION CURVE



INTENSITY DATA

DEGREES	CANDELA	
	AT 0'	AT 90'
90	0	1
85	50	44
80	148	128
75	265	238
70	386	357
65	507	477
60	626	594
55	738	706
50	843	811
45	942	912
40	1029	1000
35	1095	1068
30	1148	1123
25	1190	1166
20	1216	1196
15	1235	1219
10	1246	1233
5	1253	1245
0	1252	1252

ZONAL CAVITY COEFFICIENTS OF UTILIZATION

RC	Effective Floor Cavity Reflectance 0.20																				
	70																				
	80				50				30				10				0				
RW	70	50	30	10	70	50	30	10	50	30	10	50	30	10	50	30	10	0	0	0	0
0	40	40	40	40	39	39	39	39	37	37	37	36	36	36	34	34	34	34			
1	37	35	34	32	36	34	33	32	33	32	31	32	31	30	30	30	29	28			
2	33	30	28	26	32	30	28	26	29	27	25	28	26	25	27	25	24	23			
3	30	27	24	22	29	26	24	22	25	23	21	24	22	21	23	22	20	20			
4	28	24	21	18	27	23	20	18	22	20	18	22	19	18	21	19	17	17			
5	25	21	18	16	25	21	18	16	20	17	15	19	17	15	19	17	15	14			
6	23	19	16	14	23	19	16	14	18	15	13	17	15	13	17	15	13	13			
7	22	17	14	12	21	17	14	12	16	14	12	16	14	12	15	13	12	11			
8	20	16	13	11	20	15	13	11	15	12	11	14	12	11	14	12	10	10			
9	19	14	11	10	18	14	11	10	14	11	10	13	11	9	13	11	9	9			
10	18	13	10	9	17	13	10	9	13	10	9	12	10	9	12	10	9	8			

