



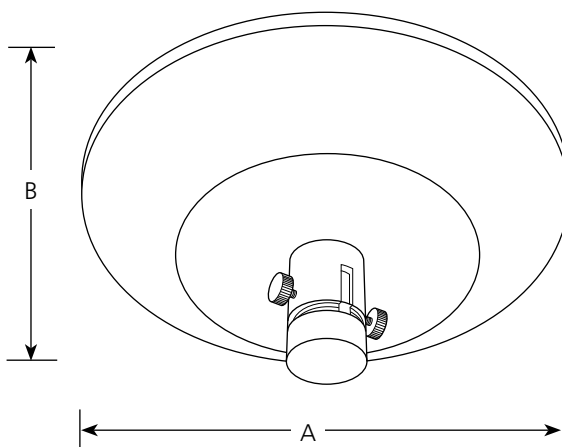
Incandescent
Halogen

Illuma-Flex® Mini Pendant
Low Voltage

Track

Type _____
-09
P8776

Catalog No.	Finish	Dimensions (Inches)	
	Brushed Nickel	A	B
P8776	-09	9-5/16	4-3/4



P8776

Specifications:

General

- 250 watt - 120 to 12 volt low profile transformer
- Plated brushed nickel (-09) finish
- Mounts anywhere along Illuma-Flex track sections
- Positive support and connection for the Flex track

Electrical

- 250 watt - 120 to 12 volt electronic transformer
- Maximum loading is 250w, minimum loading is 50w

Labeling

- CSA-CSA/US listed

Mounting

- Ceiling mount over a standard 4" octagonal outlet box (by others)
- Removal of bottom cap allows track to be slid into slot, cap is replaced and side thumb screws tightened for solid contact to track
- Mounting hardware included for attachment to a standard 4" hexagonal outlet box.

Progress Lighting
701 Millennium Blvd.
Greenville, South Carolina
29607

www.progresslighting.com

Rev. 2/11