

Please go to www.quoizel.com for product cleaning tips. Go to the **Care + Maintenance** selection.

Tools Required: None.

Bulb Recommended: (1) Medium Base (3-Way) 100W Maximum, Alternate Bulb (1) CFL (3-Way).

Estimated Assembly Time: 20-30 minutes

Preparation: Identify and inspect all parts before beginning installation. Check package content list and diagrams below to be sure all parts are present. If any parts are missing or damaged, do not attempt to assemble, install, or operate the fixture. Contact customer service for replacement parts.

⚠ Warnings and Cautions

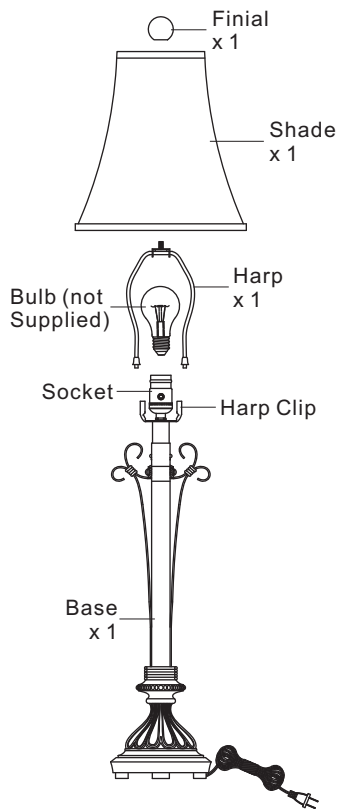
Turn off electricity at circuit breaker or main fuse box before installation. Consult a licensed electrician if in doubt.

These instructions are provided for your safety. It is very important you read them completely before installing the fixture. We strongly recommend that a licensed, professional electrician perform the installation.

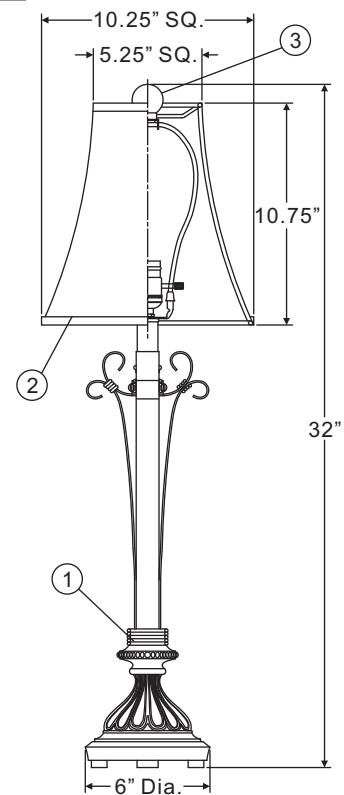
Disconnect fixture from power source before replacing bulbs. Make sure bulbs are given sufficient time to cool before removal. Do not subject glass parts to any shock while in operation or shattering may result.

- A. Locate the Harp by pressing the ends of the Harp into the Harp Clips.
- B. Place the Shade onto the top end of the Harp and secure with the Finial. Hand tighten until snug.
- C. This fixture uses standard bulb (3-Way) with standard screw base. Maximum 100 watts. Insert bulb and screw snugly into place.

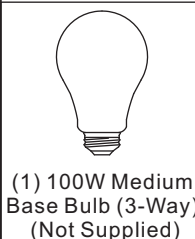
Your fixture is now assembled and ready to use. Enjoy!



Q405B



NOTE: ALL DIMENSIONS ARE ROUNDED UP TO THE NEAREST 1/2"



NO.	PART NUMBER	REPLACEMENT PART	REQ.
1	1405BQ	BASE	1
2	S569	SHADE	1
3	J941FI	FINIAL	1

Thank you for purchasing a Quoizel product.
Need assistance with parts or assembly? Call Quoizel customer service at 1-631-273-2700
or visit us on-line at www.quoizel.com