



BATH COLLECTION

GENERAL PRODUCT INFORMATION:



This product can mount to either a 4" square electrical box with round plaster ring or an octagon electrical box.

This product is suitable for damp locations.

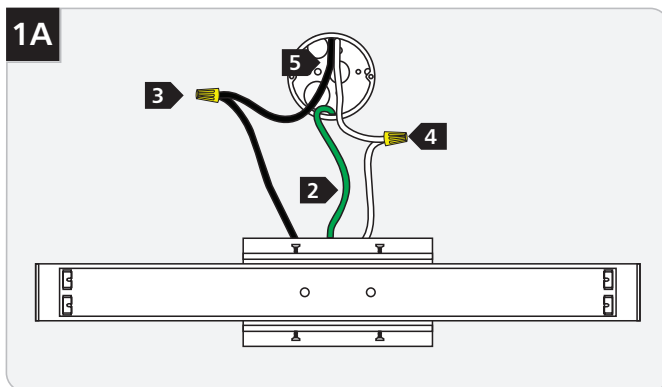
This product can be mounted horizontally or vertically.



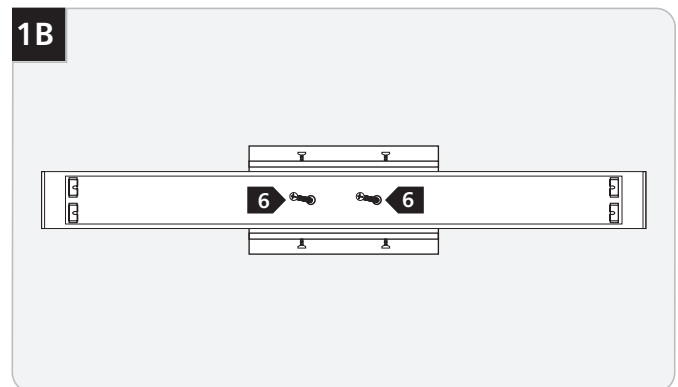
CAUTION — RISK OF FIRE

This product requires installation by a qualified electrician. Before installing be sure to read all instructions and **TURN THE POWER TO THE ELECTRICAL BOX OFF.**

Install the Fixture



- 1** Turn the power to the electrical box off.
- 2** Make sure that the fixture is grounded in accordance with local electrical codes.
- 3** Connect the black fixture wire to the hot power line wire with a wire nut.
- 4** Connect the white fixture wire to the neutral power line wire with a wire nut.
- 5** Properly place all wires into the electrical box.

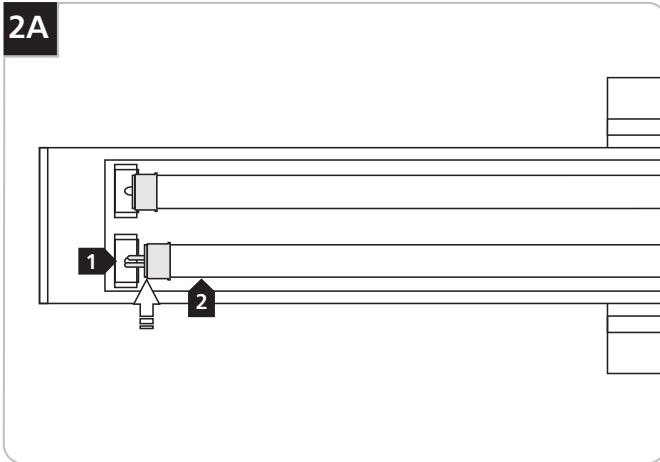


- 6** Secure the backplate to the electrical box with the two long #8-32 screws provided.

NOTE: Use the provided universal round crossbar when the fixture holes do not line up with the electrical box holes.

Install the Lamp & Shade

2A

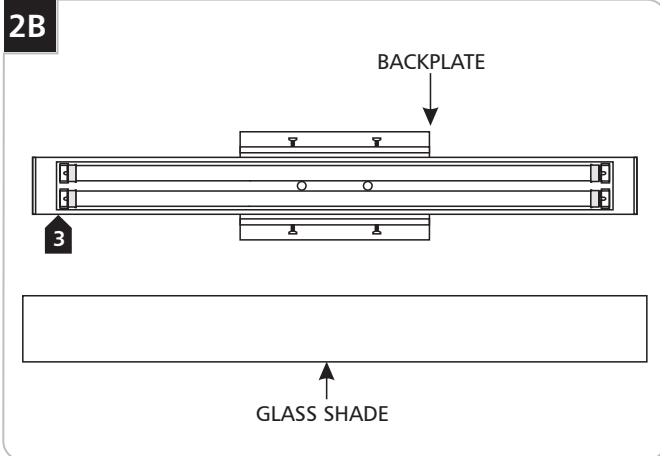


Use Max 24 W type T5 High Output linear fluorescent lamp.



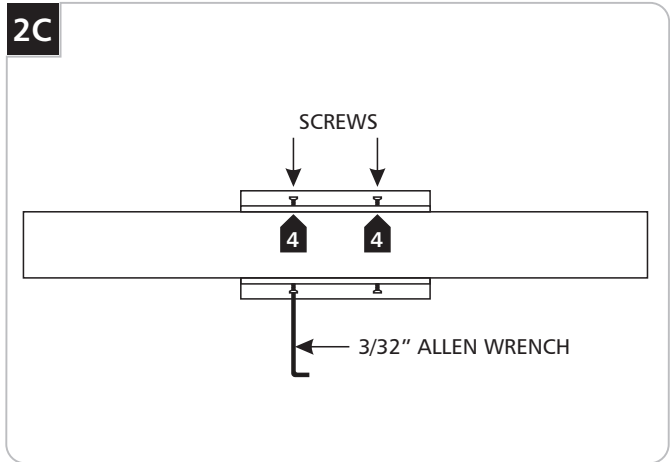
- 1 Line up the lamp pins on both sides with the opening on the sockets.
- 2 Insert the pins all the way into the sockets and turn the lamp to lock it in place. Repeat this step for the other lamp.

2B



- 3 Replace the glass shade into backplate.

2C



- 4 Tighten the four screws on both sides of the backplate with a 3/32" Allen wrench.

SAVE THESE INSTRUCTIONS!



TECH LIGHTING®

7400 Linder Ave, Skokie, IL 60077

847.410.4400

www.techlighting.com

© 2008 Tech Lighting, L.L.C. All rights reserved. The "Tech Lighting" graphic is a registered trademark of Tech Lighting, L.L.C. Tech Lighting reserves the right to change specifications for product improvements without notification.

A Generation Brands Company