

INSTALLATION INSTRUCTIONS

Item#71198-A357-PL (New. 09/27/2011)

READ AND SAVE THESE INSTRUCTIONS

WARNING! SHUT POWER OFF AT FUSE OR CIRCUIT BREAKER.

AVERTISSEMENT! COUPER LE COURANT AU NIVEAU DES FUSIBLES OU DU DISJONCTEUR.

MOUNTING THE FIXTURE (Fig. 1)

1. Shut off the power at the circuit breaker and remove the old fixture, including the mounting hardware.
2. Carefully unpack your new fixture and lay out all the parts on a clear area. Take care not to lose any small parts necessary for installation.
3. Secure the crossbar to the junction box with junction box screws (Size: #8-32N*L0.5"). The side of the crossbar marked "GND" must face out.
4. Thread the nipple partially into the crossbar. The length may be adjust if needed.

CONNECTING THE WIRES (Fig. 2)

5. Connect the electrical wires as shown in Fig. 2, making sure that all wire connectors are secured. If your outlet has a ground wire (green or bare copper), connect the fixture's ground wire to it. Otherwise, connect the fixture's ground wire directly to the crossbar using the green screw provided. Tuck the wire connections neatly into the junction box.

FINISHING THE INSTALLATION

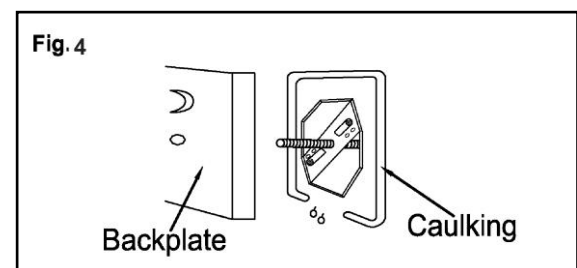
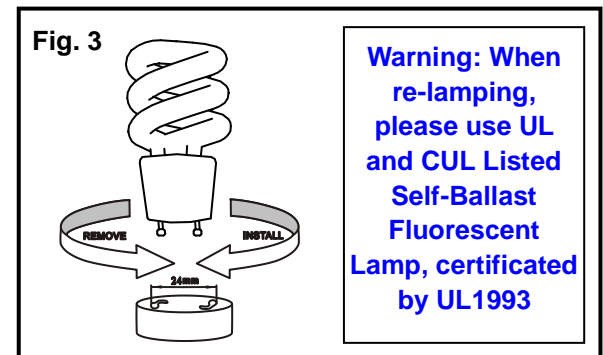
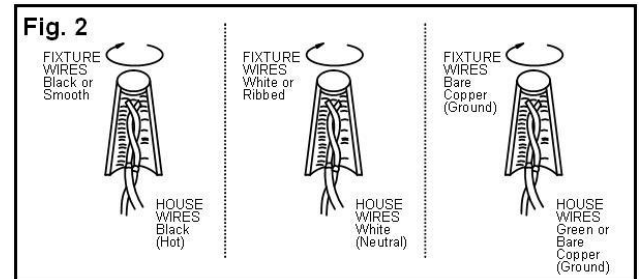
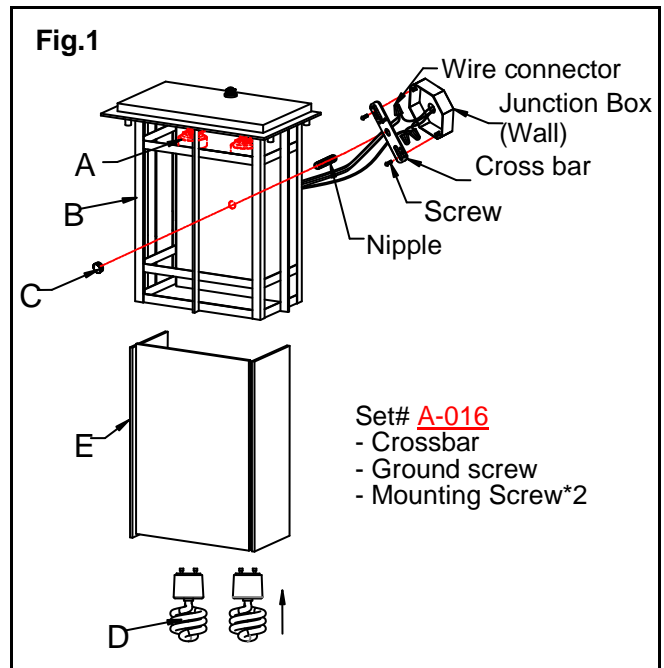
6. Insert the glass panels (E) into fixture body (B) and secure them using the clips that are located on the bottom of the fixture body.
7. Place the fixture back plate over the nipple and secure with cap nut (C).
8. To prevent moisture from entering the outlet box and causing a short, use clear caulking (ie. Indoor/Outdoor Silicone Sealant) to outline the outside of fixture back plate where it meets the wall leaving a space at bottom to allow moisture a means to escape. (Fig. 4)
9. At this point, you may install 2*13W PL light bulb (G) (included) in accordance with the fixture's specifications. **(DO NOT EXCEED THE MAXIMUM WATTAGE RATING) (NE PAS DEPASSER LA PUISSANCE NOMINALE MAXIMALE!)**
10. The ballast and lamp are combined, to replace or install, twist pins into socket as shown on Fig.3.
11. This fixture is rated for a minimum start temperature of -17° Celsius.
12. This fixture is ETL Listed for Wet Location applications.

Your installation is now complete. Return power to the junction box and test the fixture.

Note: Illustration (Fig. 1) on this manual is for installation purposes only. It may or may not be identical to the fixture purchased.

The color correlated Temperature (CCT) for replacing the enclosed lamp is (2700K).

Caution: CFLs contain Mercury (Hg) Dispose of according to Local, State and Federal Law. (www.epa.gov/bulbrecycling).



LA-2041E