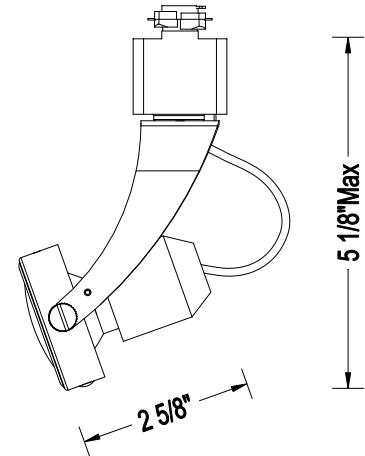
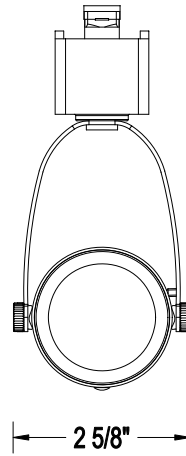


<b>CATALOG NUMBER</b>	<b>TYPE</b>
<b>PROJECT</b>	

**LINE VOLTAGE TRACK HEAD**

**SERIES 104**



**Ordering Matrix**

Model			Series	Finish	
[ ]			[ ]	[ ]	
HTK	JTK	LTK	104	BK	WT

Ordering Example (model – series – finish): HTK-104-BK

**Product Details**

**Description:** Line voltage track head using GU10 lamps. Designed for use with WAC H, L, J & J2 series track. In addition it may fit other manufacturer's original track (consult factory for specific brands).

**Materials:** Formed metal with polycarbonate track adaptor and aiming screws in black or white to match track finish. GU10 based 250V porcelain socket with nickel-plated copper screw shell.

**Aiming:** 350° horizontal rotation and 90° vertical aiming. Two aiming screws (one on each side of fixture) lock fixture aiming angle.

**Lamping:** Uses medium base GU10 lamps (included), 50W max. 120 volt.

**Systems:** HTK is used with the WAC H system track (HT).  
JTK is used with the WAC J system and J2 system track (JT & J2-T).  
LTK is used with the WAC L system track (LT)

**Finish:** Abrasion resistant finish in Black (BK), White (WT)

**Listing:** UL & CUL Listed. 5 year WAC Lighting product warranty.

**Specification Features**

- Miniature line voltage track heads utilize GU10 lamps to achieve the small and sleek look of MR16 track heads without the need for a transformer.
- Yoke mounted gimbal ring track head providing maximum installation convenience with its ability to work on four different track systems.
- The 104 series track head utilizes the second circuit on the J2 style track with the use of the J Clip (ordered separately).
- H-style track heads may be extended 18", 24", 36" and 48" from track. Extension stems ordered separately, available in Black (BK), or White (WT).