

# INSTALLATION INSTRUCTION

## 1" LEDme Mini Recessed - New Construction

HR-LED211, HR-LED251

WAC LIGHTING  
Responsible Lighting®

### SAFETY INSTRUCTION

IMPORTANT: NEVER attempt any work without shutting off the electricity.

- Read all instructions before installing.
- For installation by a qualified electrician.
- System is intended for installation in accordance with National Electric Code, and local regulations. Consult with local inspector to assure compliance.
- To reduce the risk of fire, electrical shock and injuries to persons, turn off power at main switch before installing or modifying the system.
- Retain instructions for future maintenance reference.

### OVERVIEW

Housing sold as new construction may be re-configured in field for remodel. Type IC fixtures are designed for direct contact with insulating materials. Fixtures may also be used in non-insulated ceilings.

### MOUNTING FOR NEW CONSTRUCTION HOUSING:

1. Install mounting frame using two hanger bars, (24 1/2" max). Bars are notched on the ends to fit over "T" bars in suspended ceilings. Hanger bars include a captive mounting "screw-nail" for ease of installation, as shown in the Fig.1. Align the bottom of the hanger bar with the bottom of the wood joist. Secure the "screw-nail" on each end by screwdriver (as Fig.A), or by hammer (as Fig.B).
2. Slide fixture along bar hangers into desired location. Use locking screws to secure (as Fig.C).
3. Pull out the conduit in enough length then put into the slice (as Fig.2).
4. When installing in drywall, cut appropriate a hole 2 1/2" in the drywall (as Fig.3).
5. Pull out the junction box cover and connect fixture wires to building wires, insert each supply wire into appropriate junction box connector. Connect black fixture wire to hot, white fixture wire to neutral and green fixture wire to ground. When connect in series fixture, use a spread conduit connector (as Fig.4,5).
6. Place all wiring and connectors back in wiring box and replace junction box door (as Fig.6).
7. Pivot the J box up through the hole, followed by the can, until the trim ring is flush to the ceiling (as Fig.7).

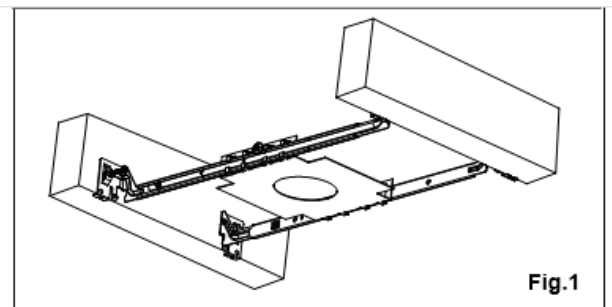


Fig.1

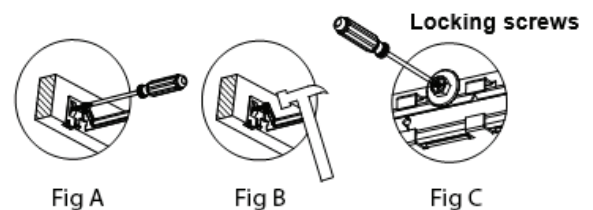


Fig A

Fig B

Fig C

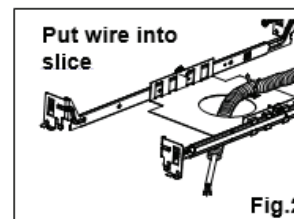


Fig.2



Fig.3

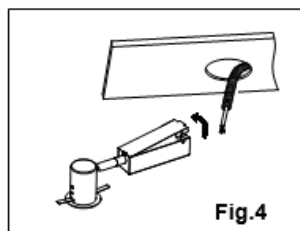


Fig.4

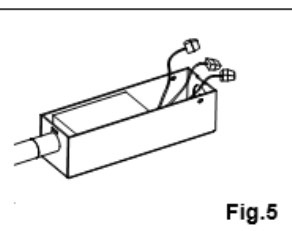


Fig.5

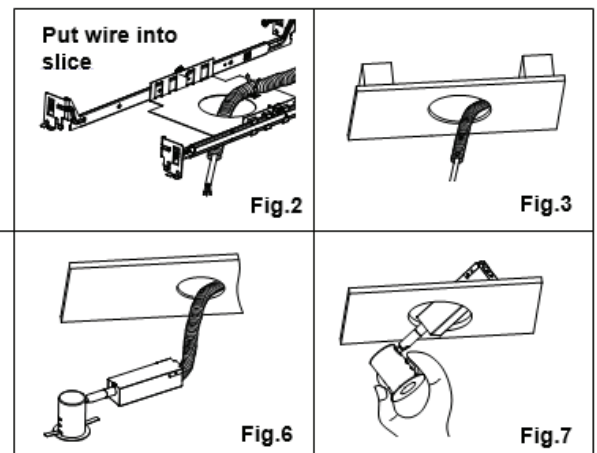


Fig.6

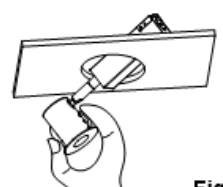


Fig.7

WAC Lighting  
www.waclighting.com  
Phone (800) 526.2588 • Fax (800) 526.2585

Headquarters/Eastern Distribution Center  
44 Harbor Park Drive • Port Washington, NY 11050  
Phone (516) 515.5000 • Fax (516) 515.5050

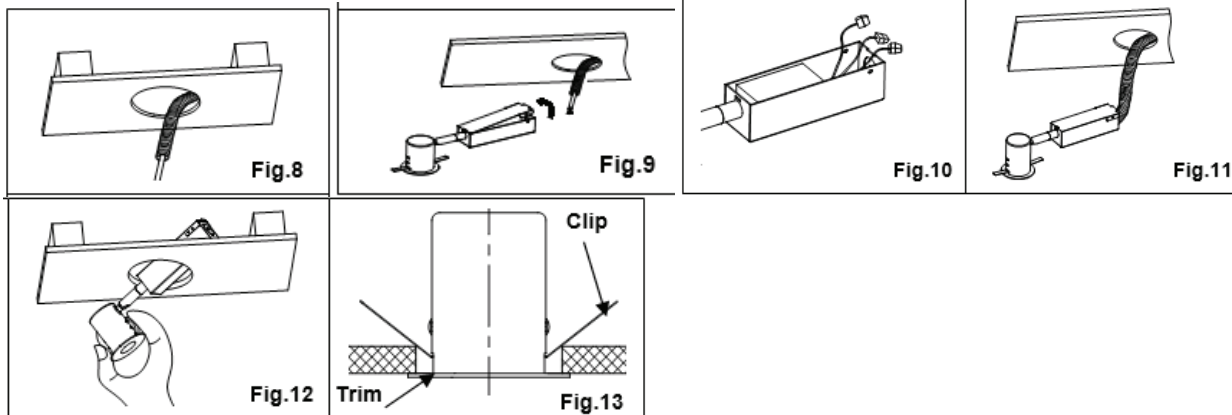
Western Distribution Center  
1750 Archibald Ave • Ontario, CA 91761  
Phone (800) 526.2588 • Fax (800) 526.2585

**INSTALLATION INSTRUCTION**  
**1" LEDme Mini Recessed - New Construction**  
 HR-LED211, HR-LED251

**WAC LIGHTING**  
 Responsible Lighting®

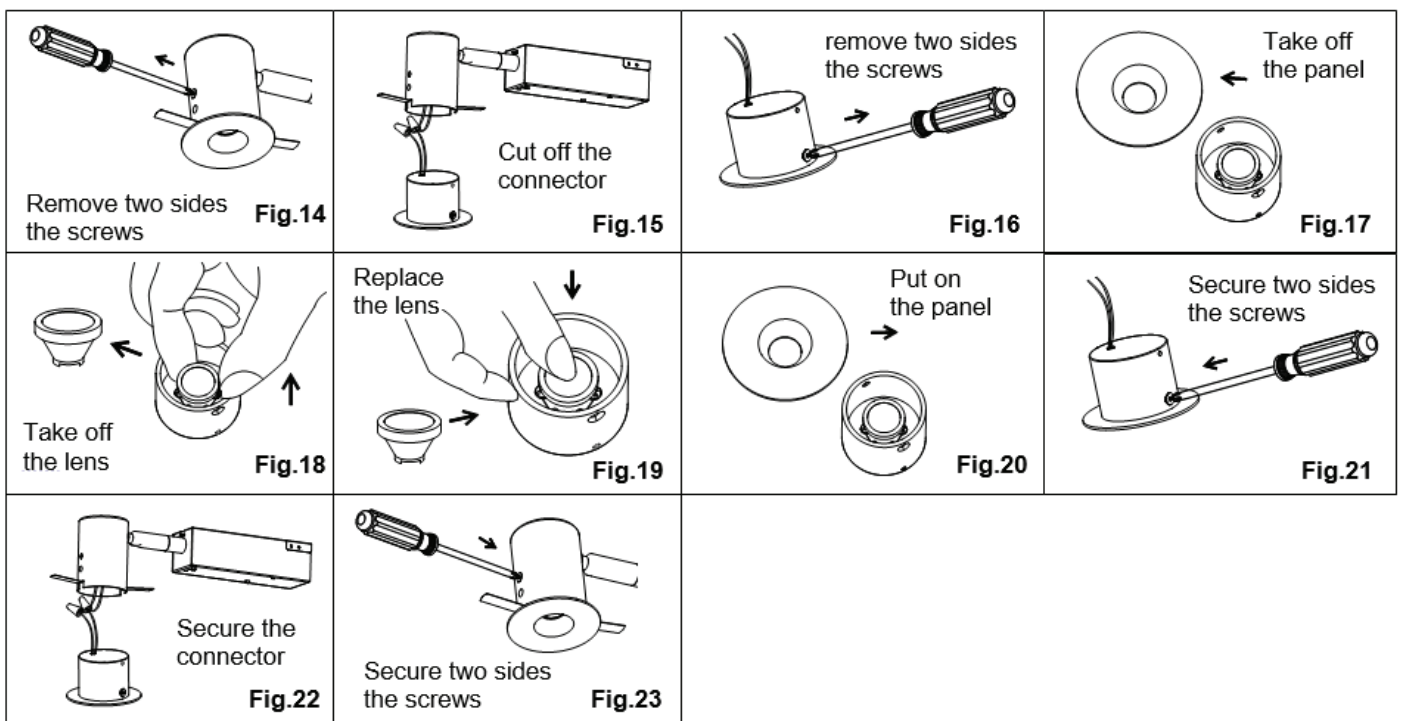
**MOUNTING FOR REMODEL HOUSING:**

1. When installing in drywall, cut appropriate a hole 2 1/2" in the drywall, pull ceiling wire through the hole(as Fig.8).
2. Pull out the junction box cover and connect fixture wires to building wires, insert each supply wire into appropriate junction box connector. Connect black fixture wire to hot, white fixture wire to neutral and green fixture wire to ground. When connect in series fixture, use a spread conduit connector (as Fig.9, 10).
3. Place all wiring and connectors back in wiring box and replace junction box door (as Fig.11).
4. Pivot the J box up through the hole, followed by the can, until the trim ring is flush to the ceiling (as Fig.12,13) (Framing kit is for new construction mounting only)



**TO REPLACE LED LENS:**

1. Remove two sides the screws of the can (as Fig.14).
2. Cut off the connector (as Fig.15).
3. Remove two sides the screws and take off the panel (as Fig.16, 17).
4. Replace the lens you choose (as Fig.18, 19).
5. Put on the panel and secure two sides the screws (as Fig.20, 21).
6. Secure the connection and secure two sides the screws of the can (as Fig.22, 23).



WAC Lighting  
 www.waclighting.com  
 Phone (800) 526.2588 • Fax (800) 526.2585

Headquarters/Eastern Distribution Center  
 44 Harbor Park Drive • Port Washington, NY 11050  
 Phone (516) 515.5000 • Fax (516) 515.5050

Western Distribution Center  
 1750 Archibald Ave • Ontario, CA 91761  
 Phone (800) 526.2588 • Fax (800) 526.2585