
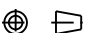
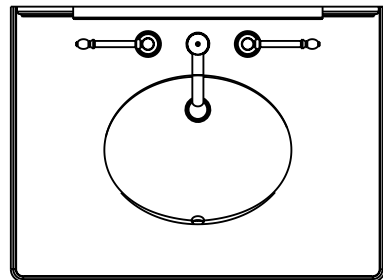
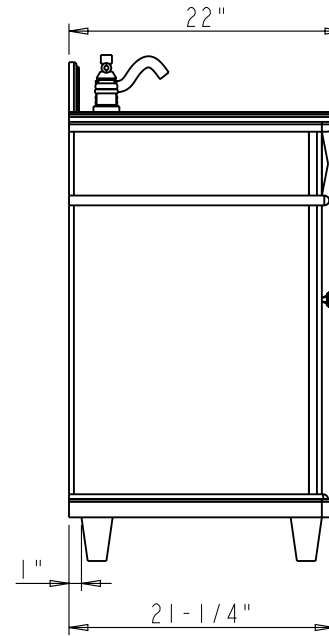
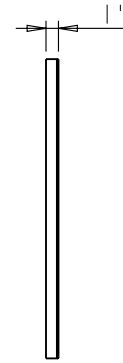
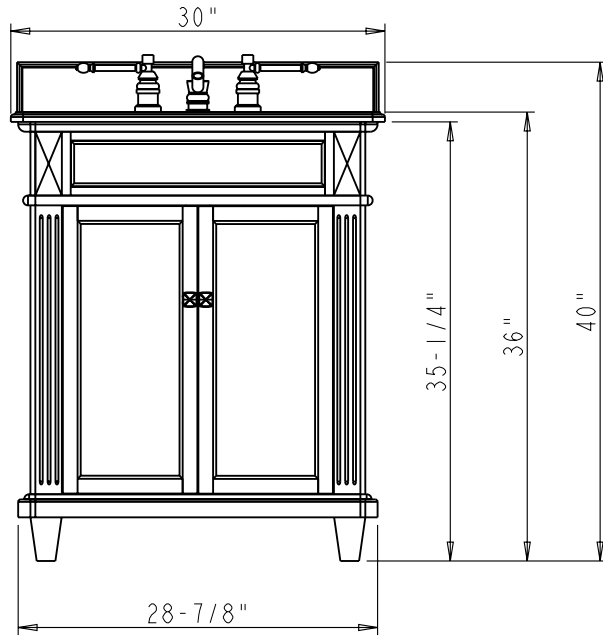
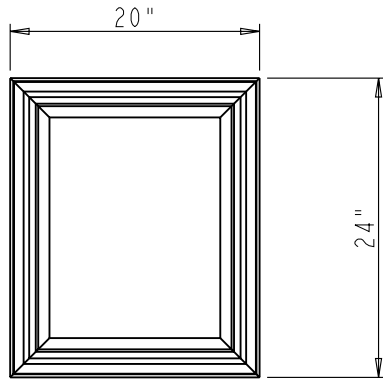


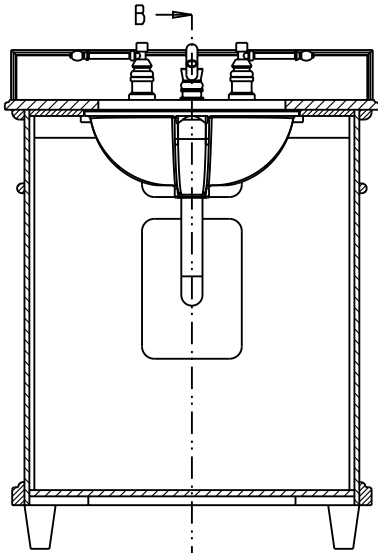
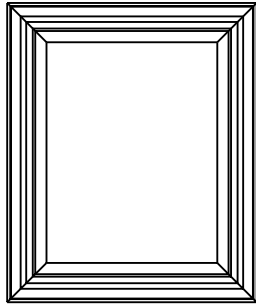
Specification:

1. Material: MDF and Birch
2. Finish: BLK
3. Hardware: Vendor's Item ( 2 PCS )
4. Hinge: Vendor's Item
5. Bowl: H8809WH
6. The tolerance is +/- 1/8"

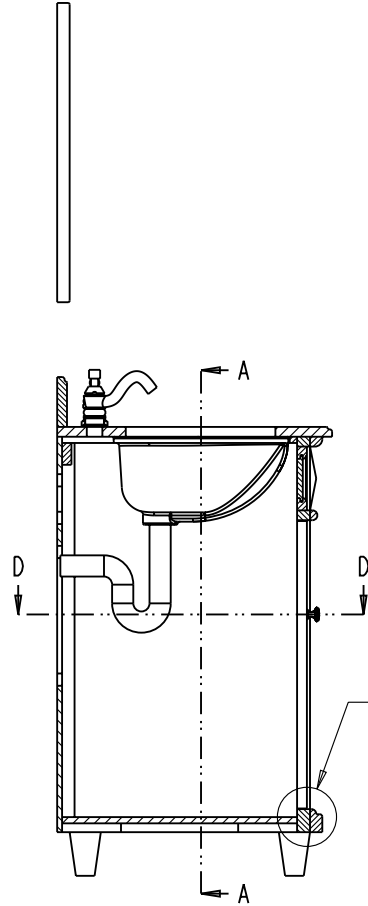
	ITEM#: VAN057-30T		MATERIAL:		
	FINISH:		WEIGHT: 9		
<b>PROPRIETARY AND CONFIDENTIAL</b> THE INFORMATION CONTAINED IN THIS DRAWING IS THE SOLE PROPERTY OF HARDWARE RESOURCES INC. ANY REPRODUCTION IN PART OR AS A WHOLE WITHOUT THE WRITTEN PERMISSION OF HARDWARE RESOURCES INC. IS PROHIBITED	DO NOT SCALE DRAWING		UNIT:	DRAWN BY: <i>alan.liu</i>	DATE:
			SIZE:	CHECKED BY:	DATE:
	PAGE 01		APPROVED BY:	DATE:	
			PROJECTION: 		



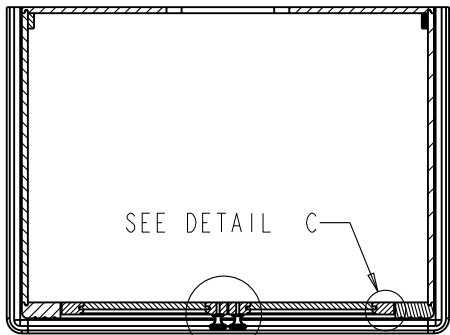
	ITEM#: VAN057-30T		MATERIAL:	
	FINISH:		WEIGHT: 9	
<b>PROPRIETARY AND CONFIDENTIAL</b> THE INFORMATION CONTAINED IN THIS DRAWING IS THE SOLE PROPERTY OF HARDWARE RESOURCES INC. ANY REPRODUCTION IN PART OR AS A WHOLE WITHOUT THE WRITTEN PERMISSION OF HARDWARE RESOURCES INC. IS PROHIBITED.	PROJECTION:		DATE:	
	UNIT:	DRAWN BY: <i>alan.liu</i>	DATE:	
	DO NOT SCALE DRAWING	CHECKED BY:	DATE:	
PAGE 02	APPROVED BY:	DATE:		



SECTION A-A

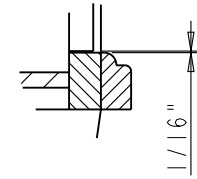


SECTION B-B

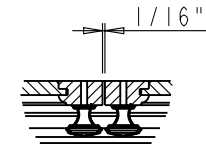


SEE DETAIL B

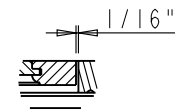
SECTION D-D



DETAIL A

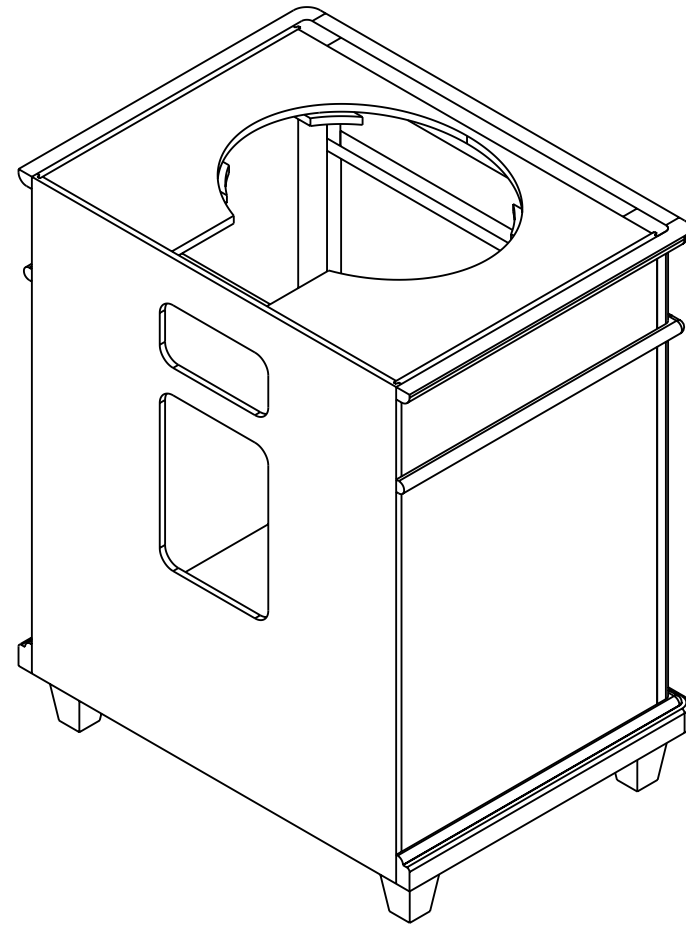
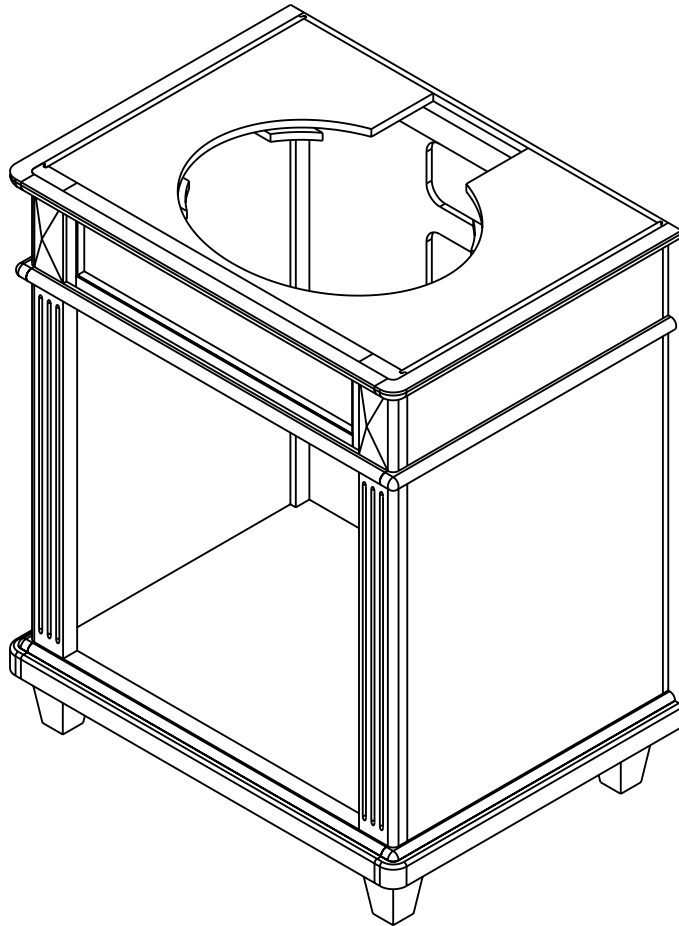


DETAIL B




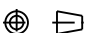
DETAIL C

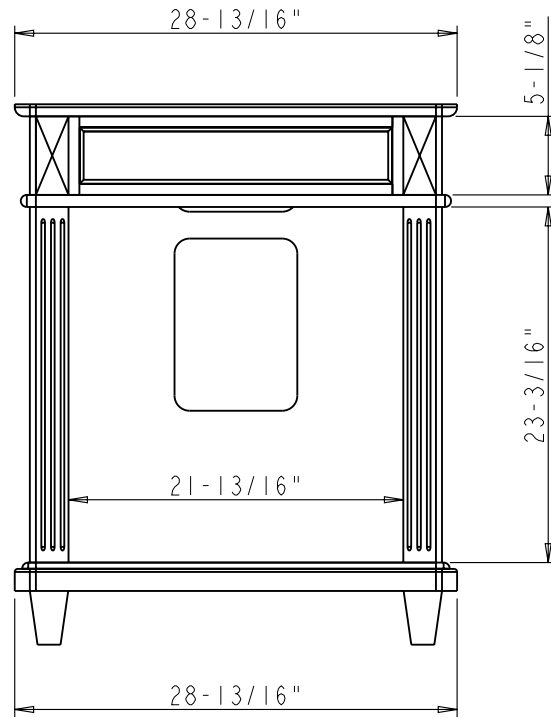
	ITEM:	VAN057-30T		MATERIAL:
	FINISH:			WEIGHT: 9
PROPRIETARY AND CONFIDENTIAL THE INFORMATION CONTAINED IN THIS DRAWING IS THE SOLE PROPERTY OF HARDWARE RESOURCES INC. ANY REPRODUCTION IN PART OR AS A WHOLE WITHOUT THE WRITTEN PERMISSION OF HARDWARE RESOURCES INC. IS PROHIBITED.	DO NOT SCALE DRAWING	UNIT:	DRAWN BY:	DATE:
		SIZE:	CHECKED BY:	DATE:
		PAGE 03	APPROVED BY:	DATE:
		PROJECTION:		



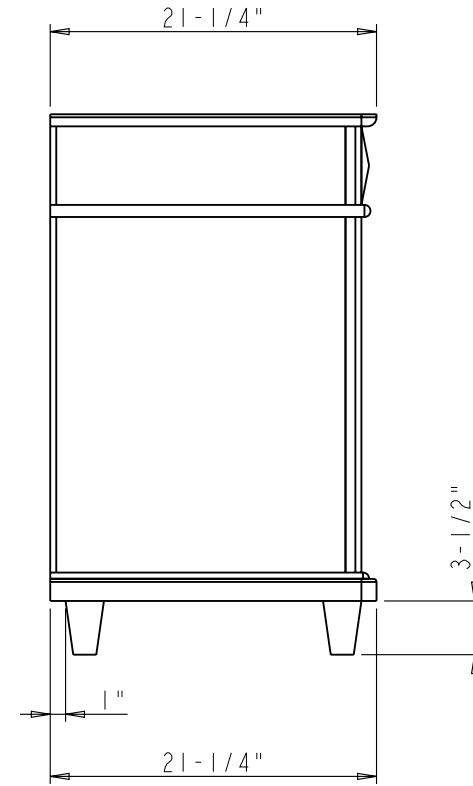
Specification:

1. Material: MDF and Birch
2. Finish: BLK

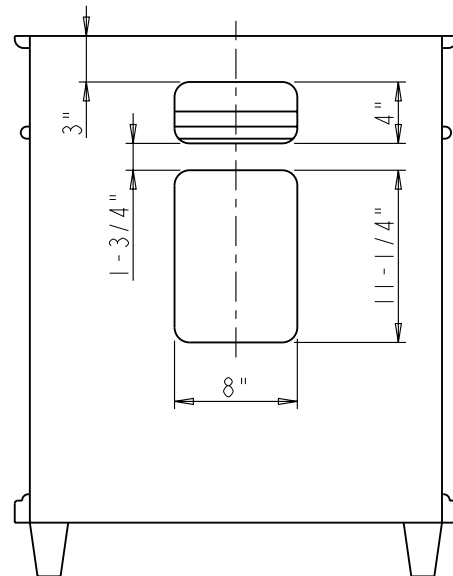
	ITEM#: CABINET		MATERIAL:	
	FINISH:		WEIGHT: 9	
<p><b>PROPRIETARY AND CONFIDENTIAL</b></p> <p>THE INFORMATION CONTAINED IN THIS DRAWING IS THE SOLE PROPERTY OF HARDWARE RESOURCES INC. ANY REPRODUCTION IN PART OR AS A WHOLE WITHOUT THE WRITTEN PERMISSION OF HARDWARE RESOURCES INC. IS PROHIBITED</p>	DO NOT SCALE DRAWING	UNIT:	DRAWN BY: <i>alan.liu</i>	DATE:
		SIZE:	CHECKED BY:	DATE:
		PAGE 04	APPROVED BY:	DATE:
			PROJECTION: 	



FRONT VIEW

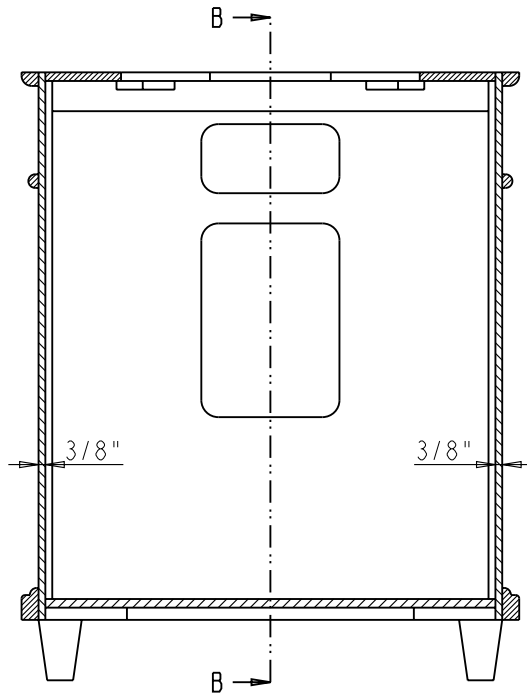


SIDE VIEW

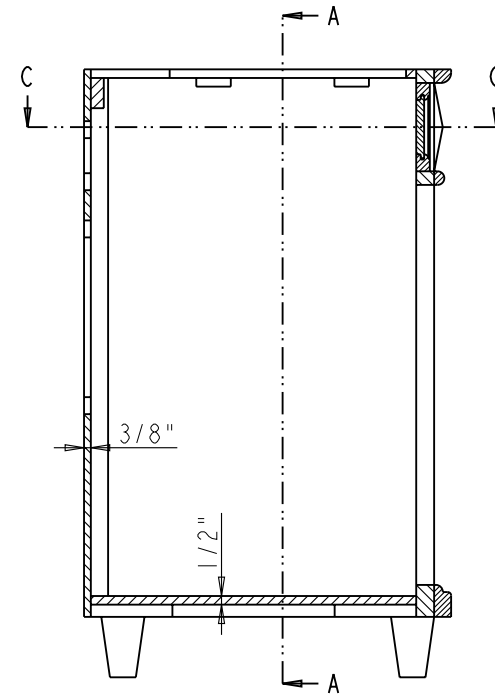


REAR VIEW

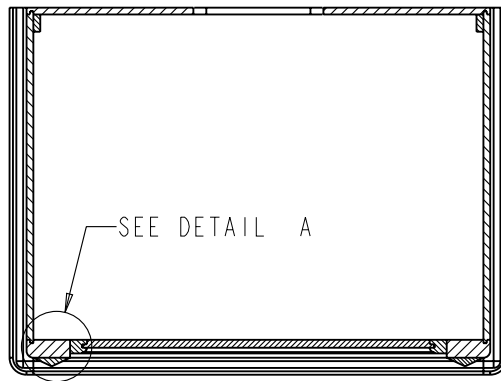
	ITEM: CABINET		MATERIAL:	
	FINISH:		WEIGHT: 9	
PROPRIETARY AND CONFIDENTIAL THE INFORMATION CONTAINED IN THIS DRAWING IS THE SOLE PROPERTY OF HARDWARE RESOURCES INC. ANY REPRODUCTION IN PART OR AS A WHOLE WITHOUT THE WRITTEN PERMISSION OF HARDWARE RESOURCES INC. IS PROHIBITED.	PROJECTION:		DATE:	
	DO NOT SCALE DRAWING	UNIT:	DRAWN BY: <i>alan.liu</i>	DATE:
		SIZE:	CHECKED BY:	DATE:
PAGE 05	APPROVED BY:	DATE:		



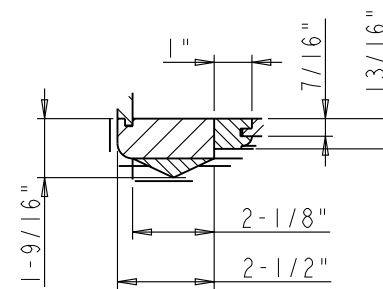
SECTION A-A



SECTION B-B

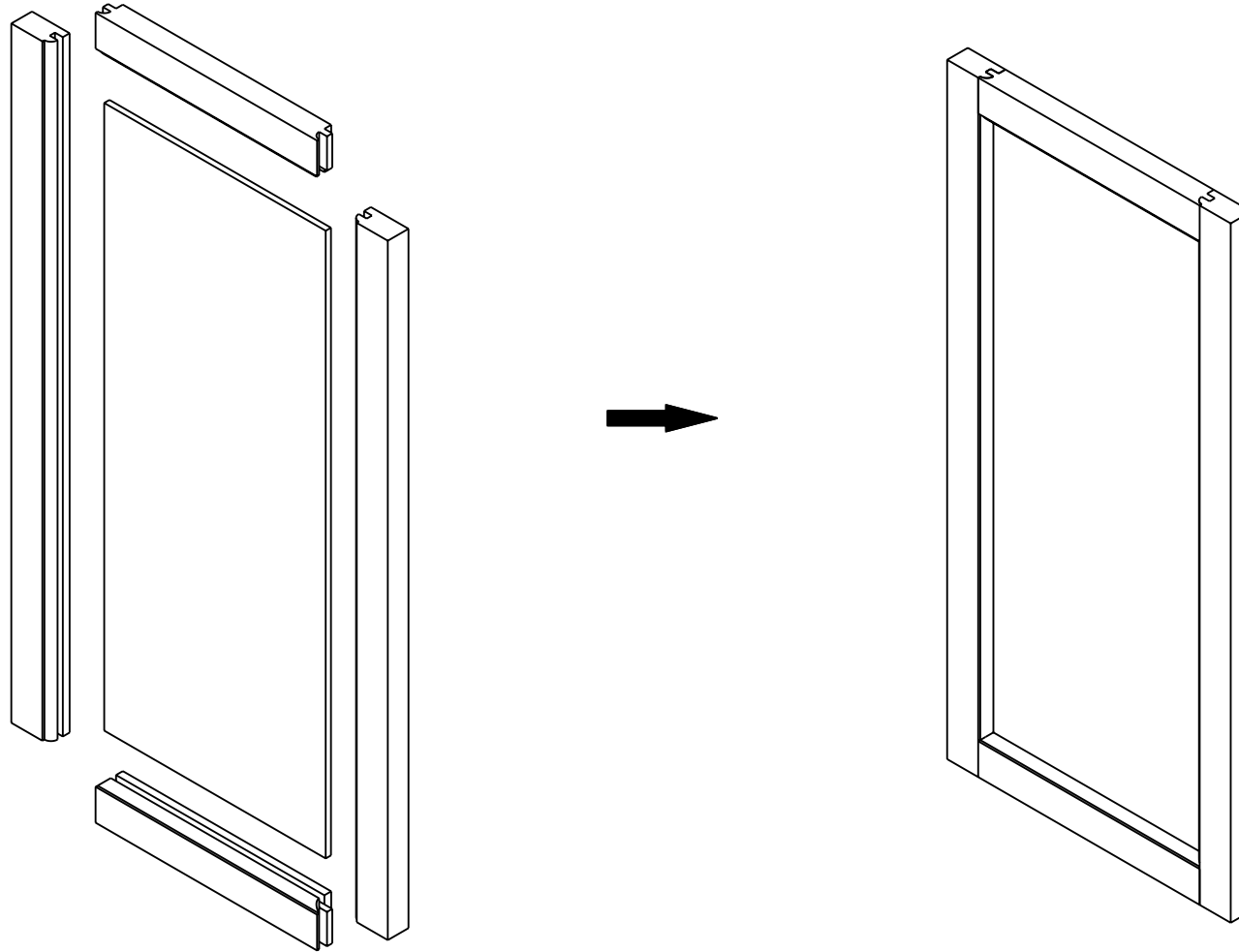


SECTION C-C




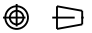
DETAIL A

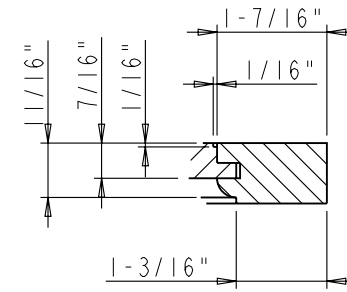
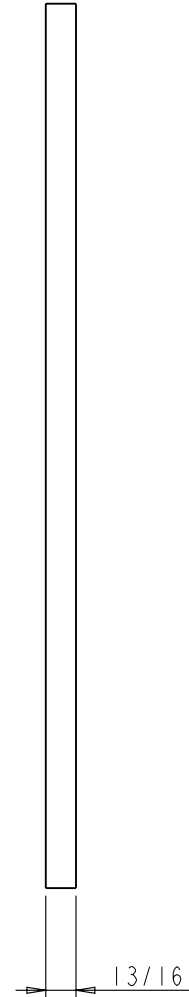
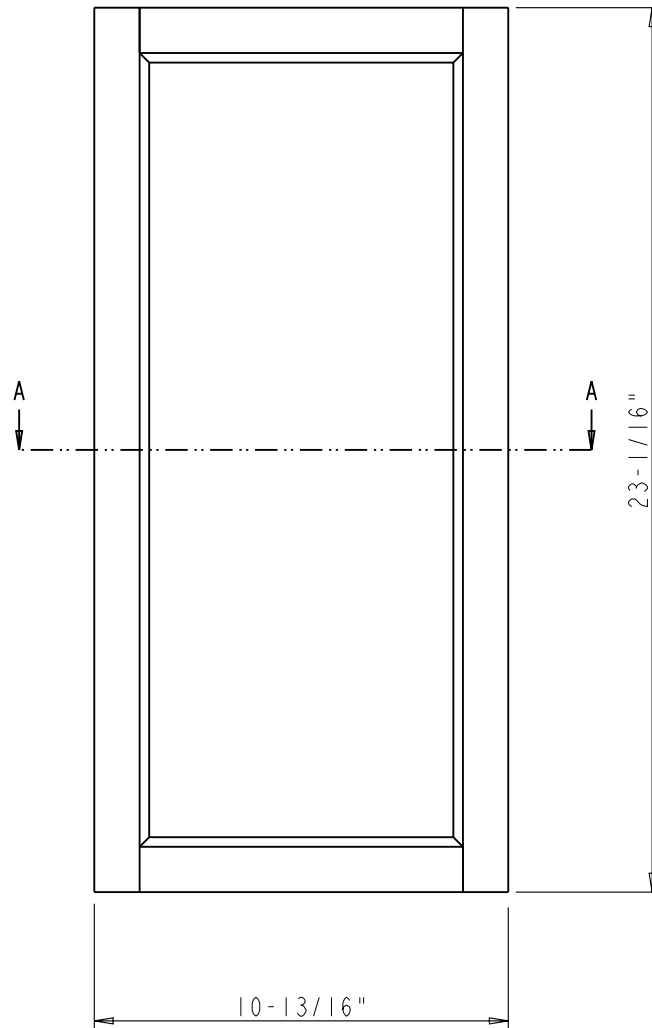
	ITEM: CABINET		MATERIAL:	
	FINISH:		WEIGHT: 9	
PROPRIETARY AND CONFIDENTIAL THE INFORMATION CONTAINED IN THIS DRAWING IS THE SOLE PROPERTY OF HARDWARE RESOURCES INC. ANY REPRODUCTION IN PART OR AS A WHOLE WITHOUT THE WRITTEN PERMISSION OF HARDWARE RESOURCES INC. IS PROHIBITED.	DO NOT SCALE DRAWING	UNIT:	DRAWN BY: <i>alan.liu</i>	DATE:
		SIZE:	CHECKED BY:	DATE:
		PAGE 06	APPROVED BY:	DATE:
			PROJECTION:	



Specification:

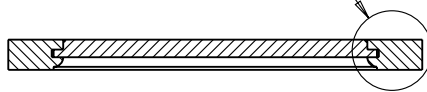
1. Material: MDF and Birch
2. Finish: BLK

 <small>PROPRIETARY AND CONFIDENTIAL</small> <small>THE INFORMATION CONTAINED IN THIS DRAWING IS THE SOLE PROPERTY OF HARDWARE RESOURCES INC. ANY REPRODUCTION IN PART OR AS A WHOLE WITHOUT THE WRITTEN PERMISSION OF HARDWARE RESOURCES INC. IS PROHIBITED</small>	ITEM#: DOOR		MATERIAL:	
	FINISH:		WEIGHT: 9	
DO NOT SCALE DRAWING	UNIT:	DRAWN BY: <i>alan.liu</i>		DATE:
	SIZE:	CHECKED BY:		DATE:
	PAGE 07	APPROVED BY:		DATE:
		PROJECTION: 		



DETAIL A

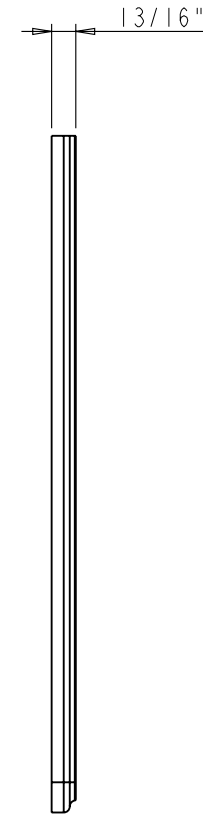
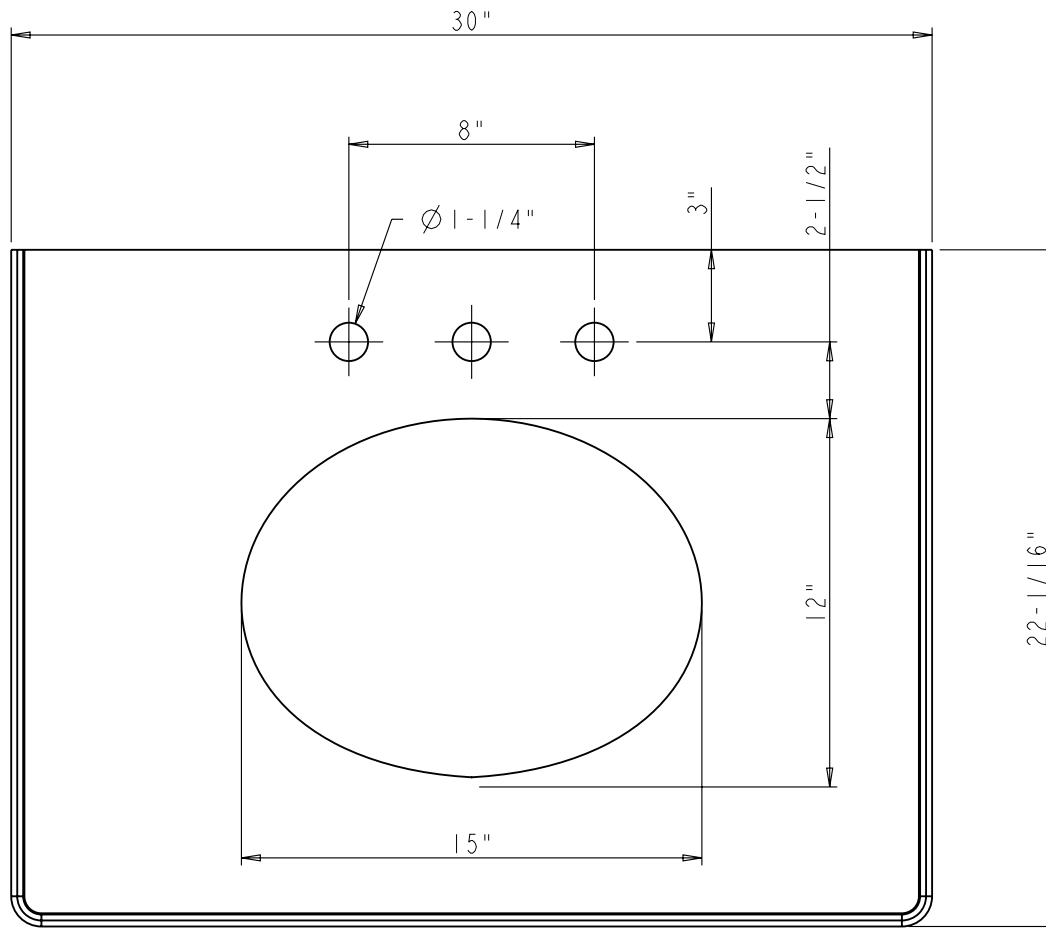
SEE DETAIL A



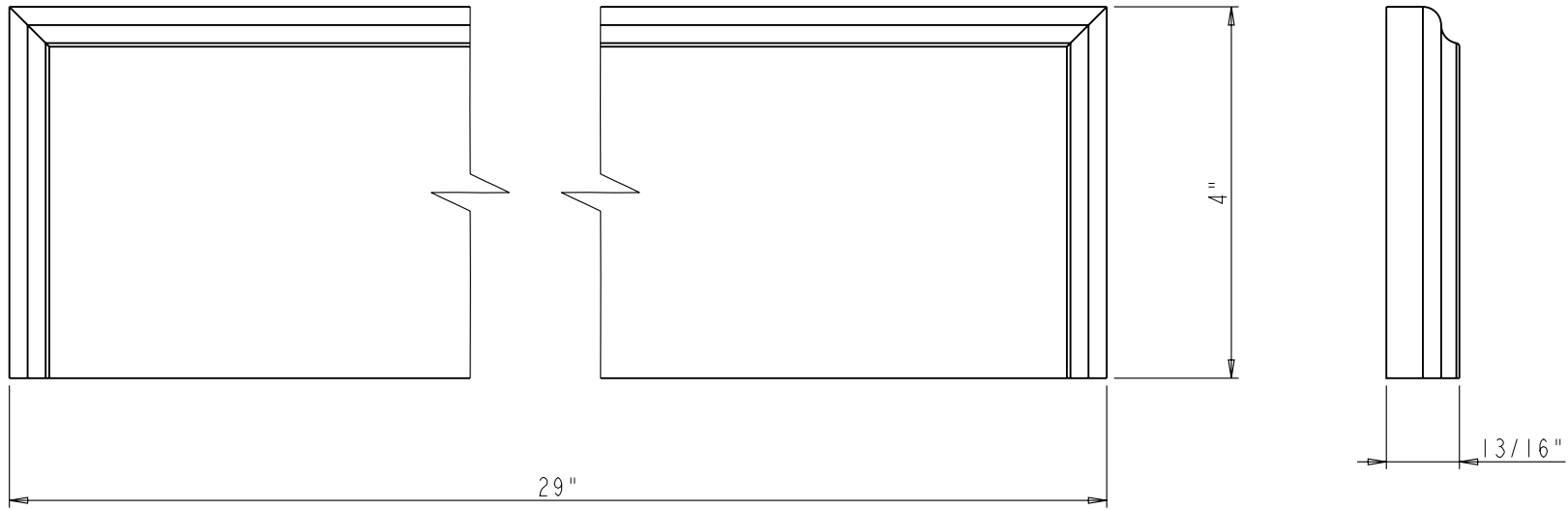
SECTION A-A

	ITEM: DOOR		MATERIAL:	
	FINISH:		WEIGHT: 9	
PROPRIETARY AND CONFIDENTIAL THE INFORMATION CONTAINED IN THIS DRAWING IS THE SOLE PROPERTY OF HARDWARE RESOURCES INC. ANY REPRODUCTION IN PART OR AS A WHOLE WITHOUT THE WRITTEN PERMISSION OF HARDWARE RESOURCES INC. IS PROHIBITED.	PROJECTION:		DATE:	
	UNIT:	DRAWN BY: <i>alan.liu</i>	DATE:	
	DO NOT SCALE DRAWING	CHECKED BY:	DATE:	
PAGE 08	APPROVED BY:	DATE:		

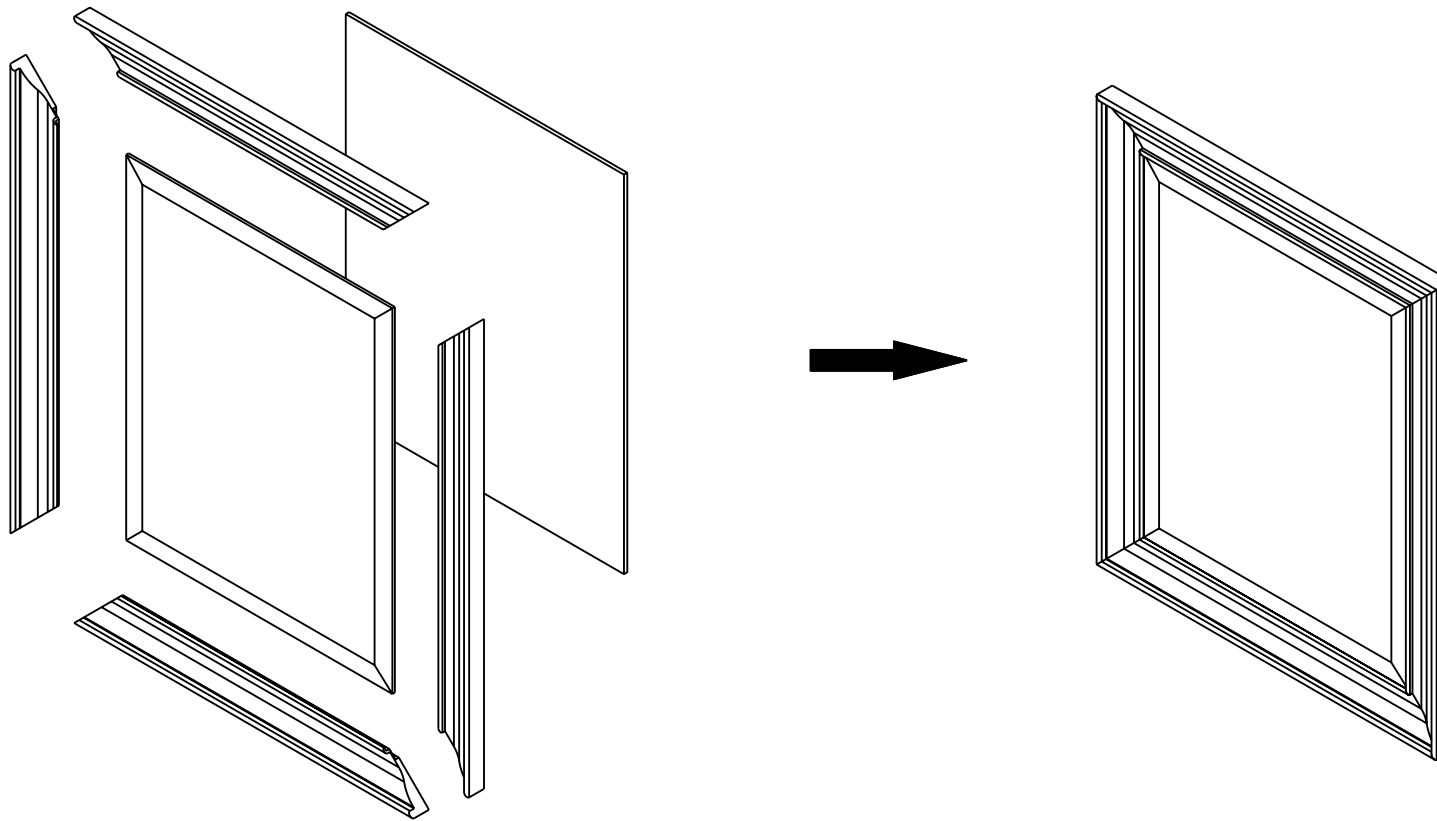





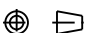
	ITEM: TOP-BOARD		MATERIAL:		
	FINISH:		WEIGHT: 9		
<p><b>PROPRIETARY AND CONFIDENTIAL</b></p> <p>THE INFORMATION CONTAINED IN THIS DRAWING IS THE SOLE PROPERTY OF HARDWARE RESOURCES INC. ANY REPRODUCTION IN PART OR AS A WHOLE WITHOUT THE WRITTEN PERMISSION OF HARDWARE RESOURCES INC. IS PROHIBITED</p>	PROJECTION:		DATE:		
	DO NOT SCALE DRAWING	UNIT:	DRAWN BY: <i>alan.liu</i>	DATE:	
		SIZE:	CHECKED BY:	DATE:	
PAGE 09		APPROVED BY:	DATE:		

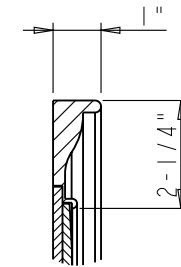
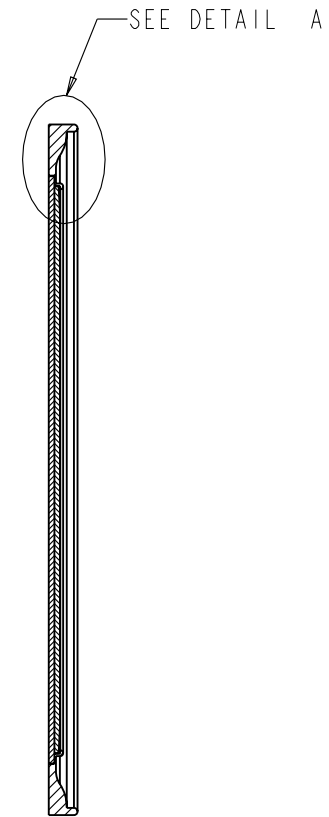
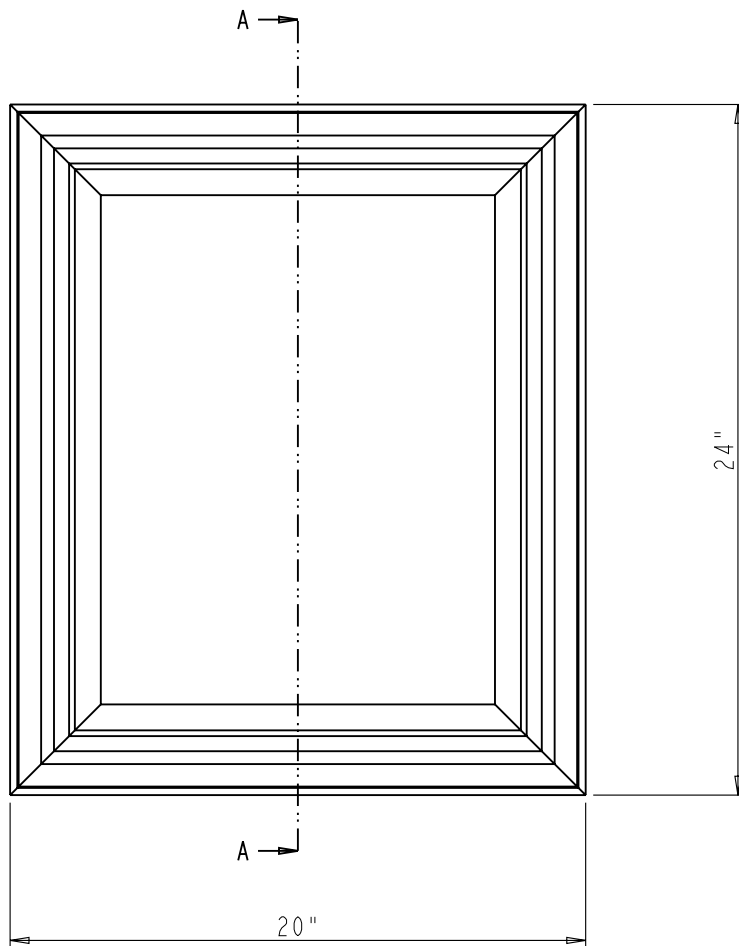


	ITEM#: VSPLASH-29		MATERIAL:	
	FINISH:		WEIGHT: 9	
<p><b>PROPRIETARY AND CONFIDENTIAL</b></p> <p>THE INFORMATION CONTAINED IN THIS DRAWING IS THE SOLE PROPERTY OF HARDWARE RESOURCES INC. ANY REPRODUCTION IN PART OR AS A WHOLE WITHOUT THE WRITTEN PERMISSION OF HARDWARE RESOURCES INC. IS PROHIBITED</p>	DO NOT SCALE DRAWING		PROJECTION:	
	UNIT:	DRAWN BY: <i>alan.liu</i>	DATE:	
	SIZE:	CHECKED BY:	DATE:	
PAGE 10		APPROVED BY:	DATE:	



Specification:  
 1. Material: Birch  
 2. Finish: BLK

 PROPRIETARY AND CONFIDENTIAL THE INFORMATION CONTAINED IN THIS DRAWING IS THE SOLE PROPERTY OF HARDWARE RESOURCES INC. ANY REPRODUCTION IN PART OR AS A WHOLE WITHOUT THE WRITTEN PERMISSION OF HARDWARE RESOURCES INC. IS PROHIBITED.	ITEM#: M1R057		MATERIAL:	
	FINISH:		WEIGHT: 9	
DO NOT SCALE DRAWING	UNIT:	DRAWN BY: <i>alan.liu</i>		DATE:
	SIZE:	CHECKED BY:		DATE:
	PAGE 11	APPROVED BY:		DATE:
		PROJECTION: 		



DETAIL A  
SCALE 1:4

SECTION A-A

	ITEM#: MIR057		MATERIAL:	
	FINISH:		WEIGHT: 9	
<b>PROPRIETARY AND CONFIDENTIAL</b> THE INFORMATION CONTAINED IN THIS DRAWING IS THE SOLE PROPERTY OF HARDWARE RESOURCES INC. ANY REPRODUCTION IN PART OR AS A WHOLE WITHOUT THE WRITTEN PERMISSION OF HARDWARE RESOURCES INC. IS PROHIBITED.	PROJECTION:		DATE:	
	UNIT:	DRAWN BY: <i>alan.liu</i>	DATE:	
	DO NOT SCALE DRAWING	CHECKED BY:	DATE:	
	SIZE:	APPROVED BY:	DATE:	
	PAGE 12			