


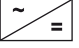
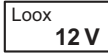






LED 2029
LED 2045
LED 2043
LED 2037

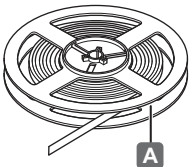
833.73.490 833.73.120
833.73.491 833.73.121
833.73.492 833.73.122
833.73.493 833.73.123
833.73.130 833.73.510
833.73.131 833.73.511
833.73.132 833.73.512
833.73.133 833.73.513

732.28.356

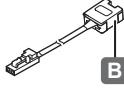
	K	W	T_A			
833.73.493	2700 K	9.6 W/m	-20 °C – +35 °C -4 °F – +95 °F	5000 x 10 x 1.3	≥ 5010 x 20 x 11.3	
833.73.490	3000 K					
833.73.491	4000 K					
833.73.492	5000 K					
833.73.130	2700 K	7.2 W/m				
833.73.131	3000 K					
833.73.132	4000 K					
833.73.133	5000 K					
833.73.120	2700 K	4.8 W/m				
833.73.121	3000 K					
833.73.122	4000 K					
833.73.123	5000 K					
833.73.513	2700 K	4.0 W/m				
833.73.510	3000 K					
833.73.511	4000 K					
833.73.512	5000 K					

HDE 05/2015

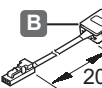


A



B

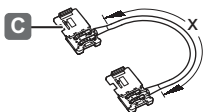
+



B

833.73.728

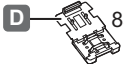
2000



C

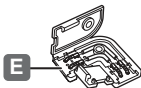
X

X	
50	833.73.721
500	833.73.719
1000	833.73.722
2000	833.73.720




D


833.73.731

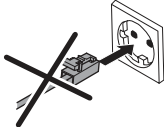


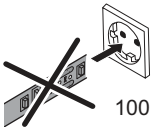
E

833.73.733


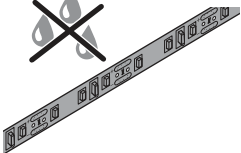
i








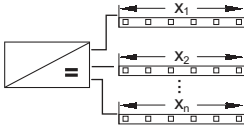
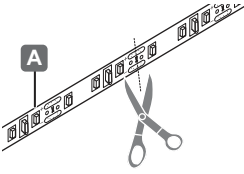
100 - 240 V~

732.28.356

HDE 05/2015

1



$$x_1 + x_2 + \dots + x_n \leq X$$

i

12 V / 6 W

	x_n [m]	X [m]
LED 2029	0.475	0.475
LED 2045	0.633	0.633
LED 2043	0.950	0.950
LED 2037	1.175	1.175

12 V / 20 W

	x_n [m]	X [m]
LED 2029	1.575	1.575
LED 2045	2.100	2.100
LED 2043	3.150	3.150
LED 2037	3.800	3.800

12 V / 30 W

	x_n [m]	X [m]
LED 2029	2.325	2.325
LED 2045	3.100	3.100
LED 2043	4.650	4.650
LED 2037	5.000	5.700

12 V / 15 W

	x_n [m]	X [m]
LED 2029	1.200	1.200
LED 2045	1.600	1.600
LED 2043	2.400	2.400
LED 2037	2.875	2.875

12 V / 27 W

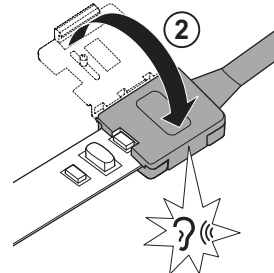
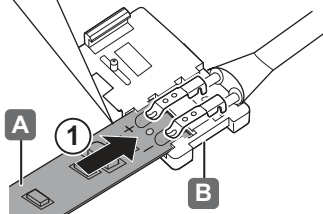
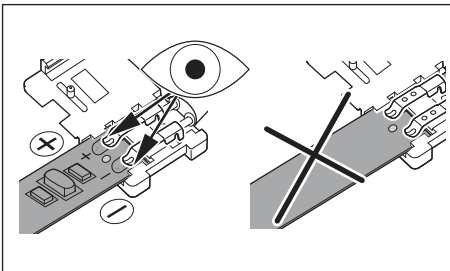
	x_n [m]	X [m]
LED 2029	2.100	2.100
LED 2045	2.800	2.800
LED 2043	4.200	4.200
LED 2037	5.000	5.125

12 V / 60 W

	x_n [m]	X [m]
LED 2029	2.875	4.675
LED 2045	3.833	6.233
LED 2043	5.000	9.400
LED 2037	5.000	11.250

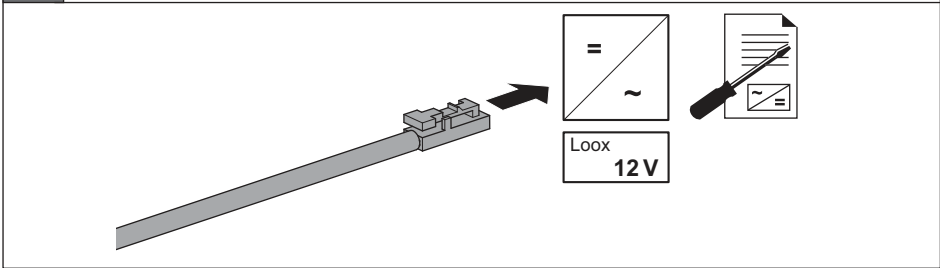
732.28.356

2

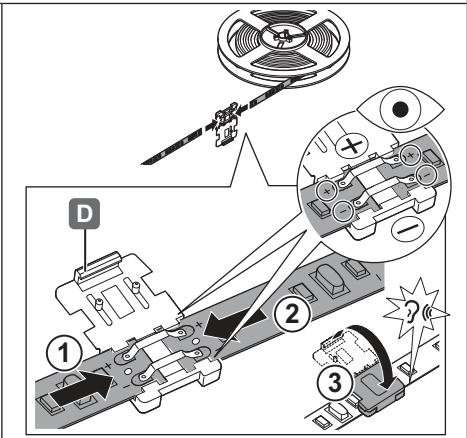
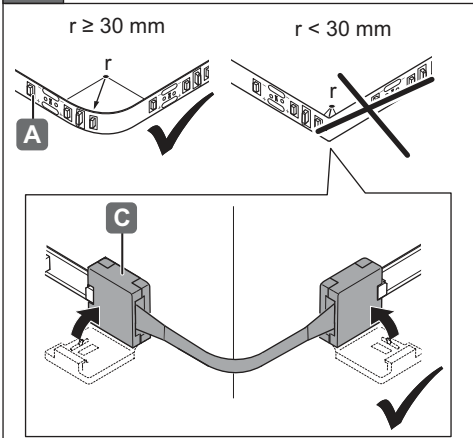


HDE 05/2015

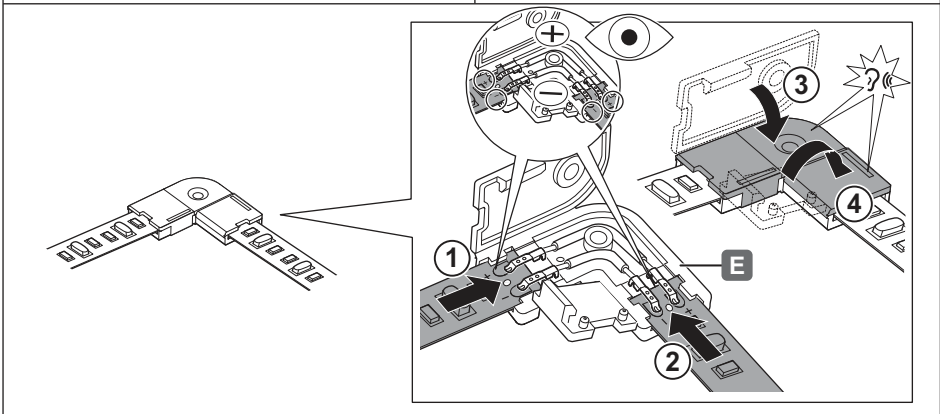
3



+



732.28.356



HDE 05/2015