

18" PULL-OUT HAMPER
300.3148.[FIN]

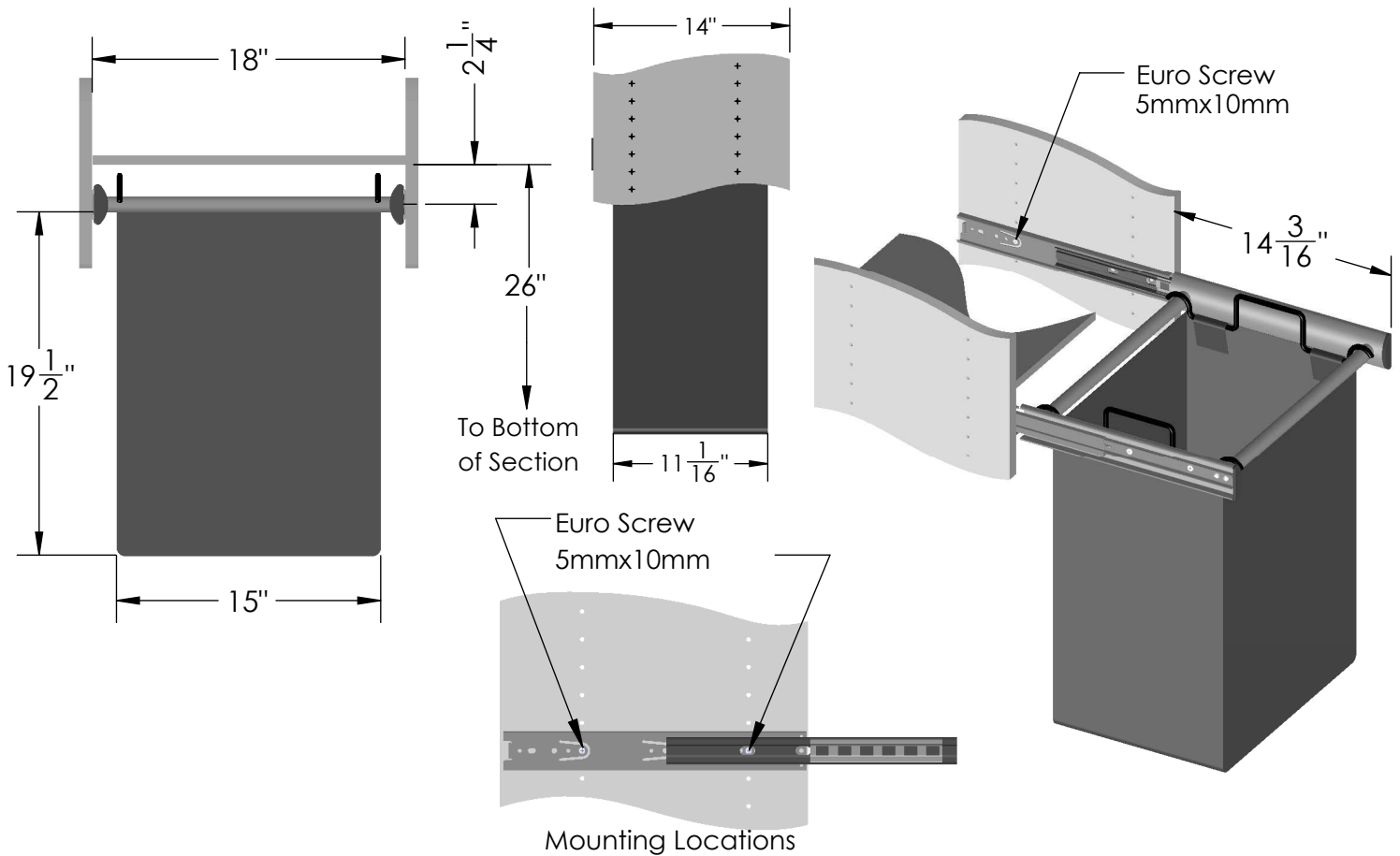
DESCRIPTION & SPECIFICATIONS

Sort-as-you-go with the 18" Pull-Out Hamper. The large removable hamper bag lifts out of the frame and features comfortable hand grips so that laundry can be easily transported.

SIZE & CAPACITY | 18" w 1 Large Hamper Bag

AVAILABLE FINISHES | 

Matte Aluminum, Polished Chrome, Matte Nickel, Oil Rubbed Bronze, Polished Brass, Matte Brass.



INSTRUCTIONS & SPECIFICATIONS

- STEP 1: Press slide leveller down and remove slide rails from the hamper.
- STEP 2: Mount slide rails to partition using euro screws.
- STEP 3: Extend the slide on the hamper and re-install on slide rail.
- STEP 4: Set hamper to fully retracted position and insert the bag.
- Four (4) #5 Euro Screws are required to mount.

FINISH	CODE (FIN)
MATTE ALUMINUM	MAL
POLISHED CHROME	CR
MATTE NICKEL	MNL
OIL RUBBED BRONZE	ORB
MATTE BRASS	MBS
POLISHED BRASS	BS

24" PULL-OUT HAMPER
300.3140.[FIN]

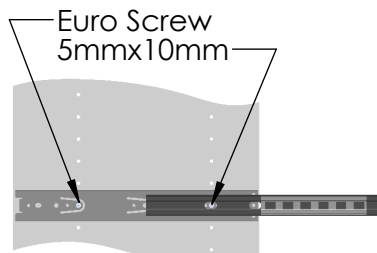
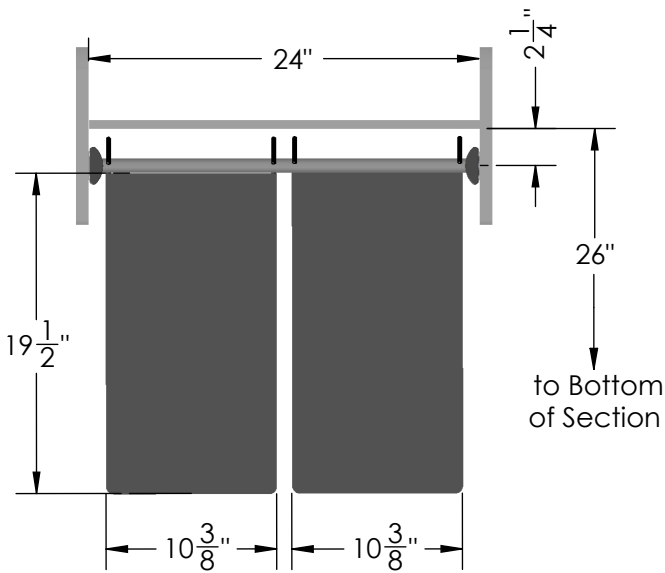
DESCRIPTION & SPECIFICATIONS

Sort-as-you-go with the 24" Pull-Out Hamper. The two small removable hamper bags lift out of the frame and feature comfortable hand grips so that laundry can be easily transported.

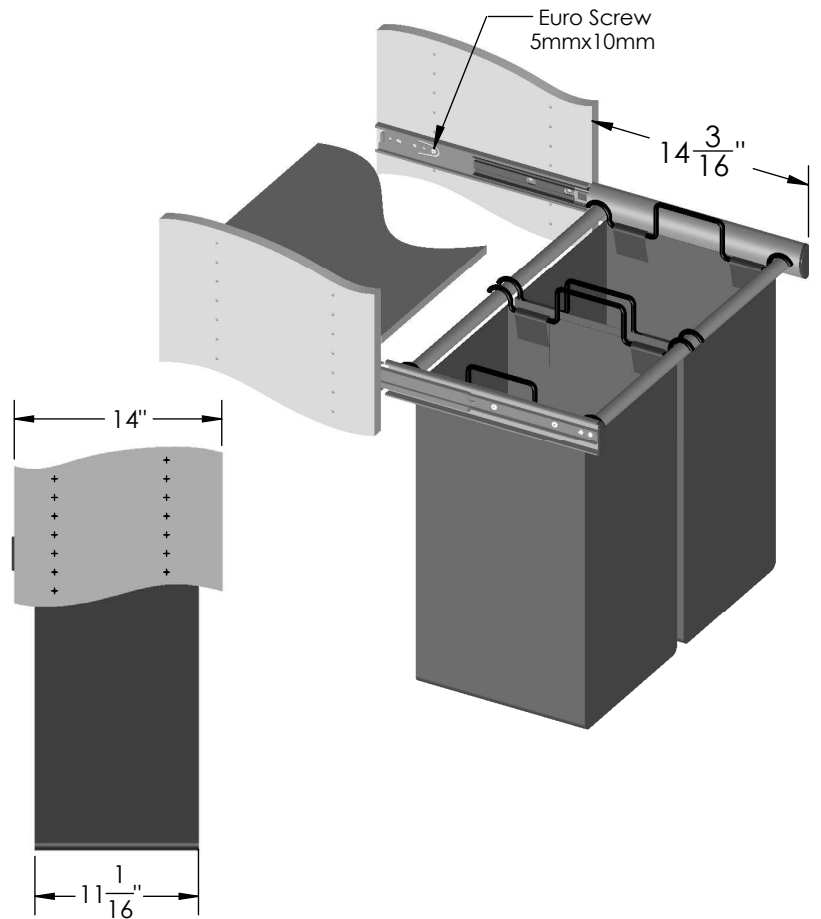
SIZE & CAPACITY | 24" w 2 Small Hamper Bags

AVAILABLE FINISHES | 

Matte Aluminum, Polished Chrome, Matte Nickel, Oil Rubbed Bronze, Polished Brass, Matte Brass.



Mounting Locations



INSTRUCTIONS & SPECIFICATIONS

- STEP 1: Press slide leveller down and remove slide rails from the hamper.
- STEP 2: Mount slide rails to partition using euro screws.
- STEP 3: Extend the slide on the hamper and re-install on slide rail.
- STEP 4: Set hamper to fully retracted position and insert the bags.
- Four (4) #5 Euro Screws are required to mount.

FINISH	CODE (FIN)
MATTE ALUMINUM	MAL
POLISHED CHROME	CR
MATTE NICKEL	MNL
OIL RUBBED BRONZE	ORB
MATTE BRASS	MBS
POLISHED BRASS	BS

30" PULL-OUT HAMPER
300.3143.[FIN]

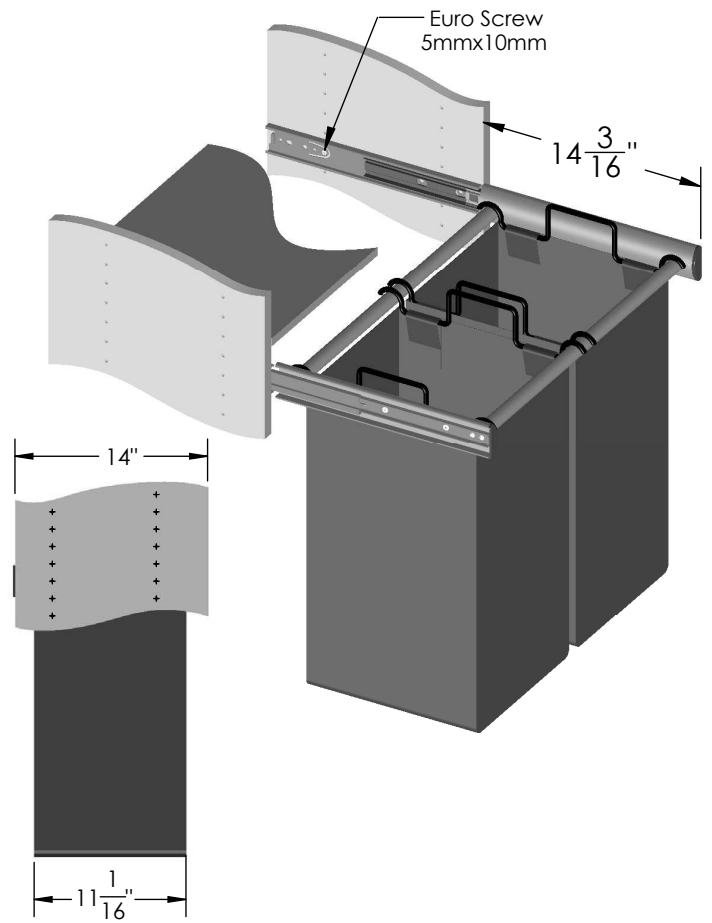
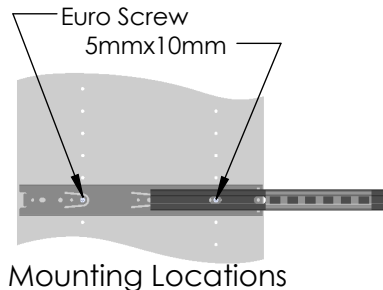
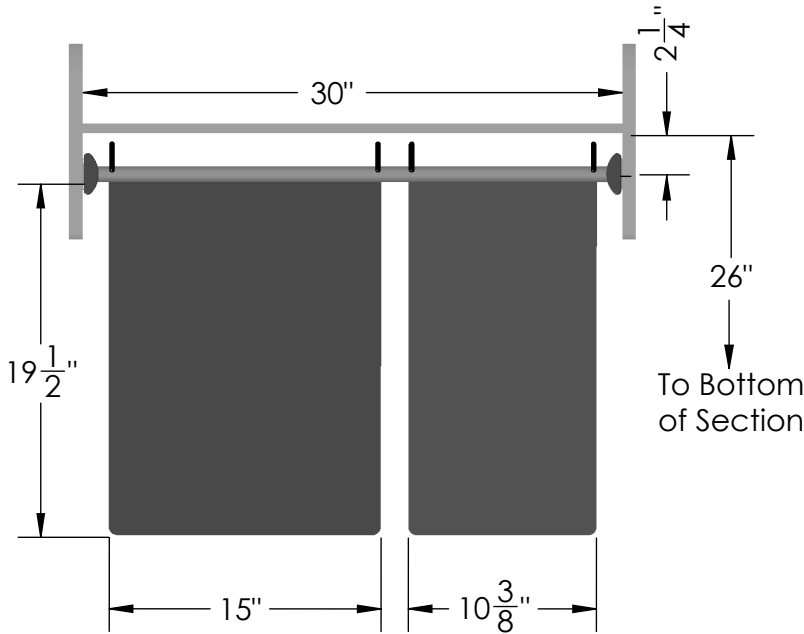
DESCRIPTION & SPECIFICATIONS

Sort-as-you-go with the 30" Pull-Out Hamper. The large and small removable hamper bags lift out of the frame and feature comfortable hand grips so that laundry can be easily transported.

SIZE & CAPACITY | 30" w 1 Large & 1 Small Hamper Bag

AVAILABLE FINISHES | 

Matte Aluminum, Polished Chrome, Matte Nickel, Oil Rubbed Bronze, Polished Brass, Matte Brass.



INSTRUCTIONS & SPECIFICATIONS

- STEP 1: Press slide leveller down and remove slide rails from the hamper.
- STEP 2: Mount slide rails to partition using euro screws.
- STEP 3: Extend the slide on the hamper and re-install on slide rail.
- STEP 4: Set hamper to fully retracted position and insert the bags.
- Four (4) #5 Euro Screws are required to mount.

FINISH	CODE (FIN)
MATTE ALUMINUM	MAL
POLISHED CHROME	CR
MATTE NICKEL	MNL
OIL RUBBED BRONZE	ORB
MATTE BRASS	MBS
POLISHED BRASS	BS