

**Product Model: ANE-46**

**Dimensions (Actual Size)**

- Overall height: 60 5/8"
- Overall width: 15"
- Overall depth including door: 7 3/4"
- Dimension from wall to outer edge of door (when recessed): 3 7/8"
- Penetration into opening: 3 7/8"
- Rough opening height: 59 7/8"
- Rough opening width: 14 3/8"
- Wall opening depth: 3 7/8"

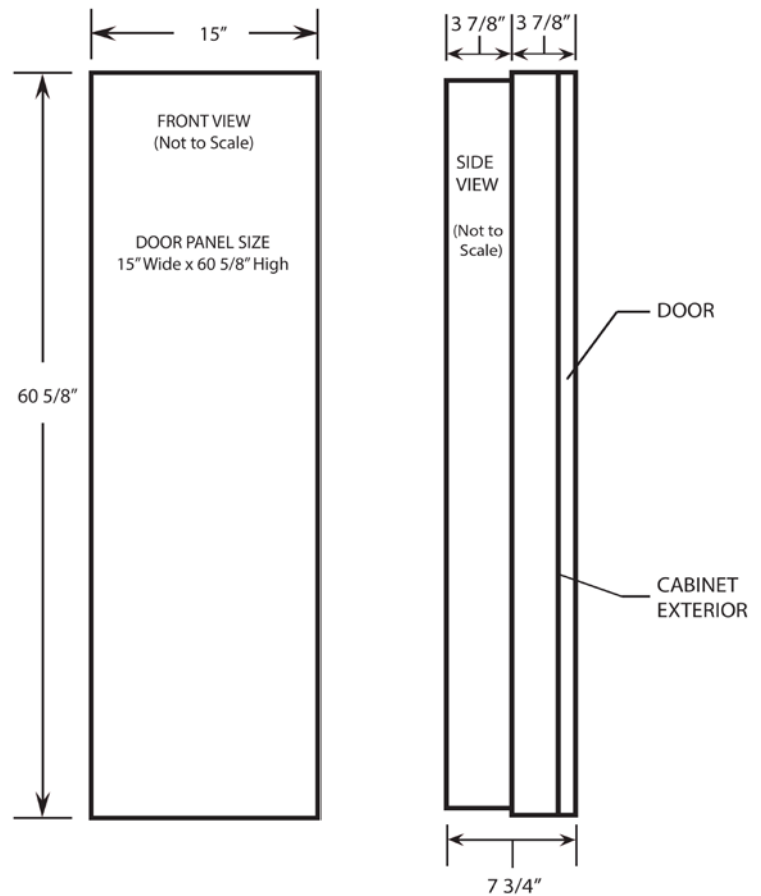
**Opening dimensions listed above  
Overlap distances when using wall**

- Top overlap: 3/8"                      Right side overlap: 3/8"
- Bottom overlap: 3/8"                Left side overlap: 3/8"

**Additional Information**

- Unit may be surface mounted (unit extends approximately 7 3/4" into room) or recessed (unit extends approximately 3 7/8" into room) into any wall with standard 16" center studs.
- See table bottom right to determine desired ironing board height above the floor. The user can adjust height of board after installation with a 4" differential between a maximum and minimum height.
- Unit can be provided with a left hinged door upon request. Right hinge is standard.
- Comes standard with wood veneer door.
- Recommended to attach 2" x 4" cleats to studs, level with the bottom of opening (for support when recessing unit.)
- Door opens approximately 180°. Allow at least 16" to the side of the unit for door to swing open (door hinges on full length piano hinge.)
- Options include: Surface mount trim (necessary for surface mounting), oak, maple, pine, or white raised panel door, flat white door, glass mirrored door, or no door, rough-in kit, and iron.

See Page 2 for additional information



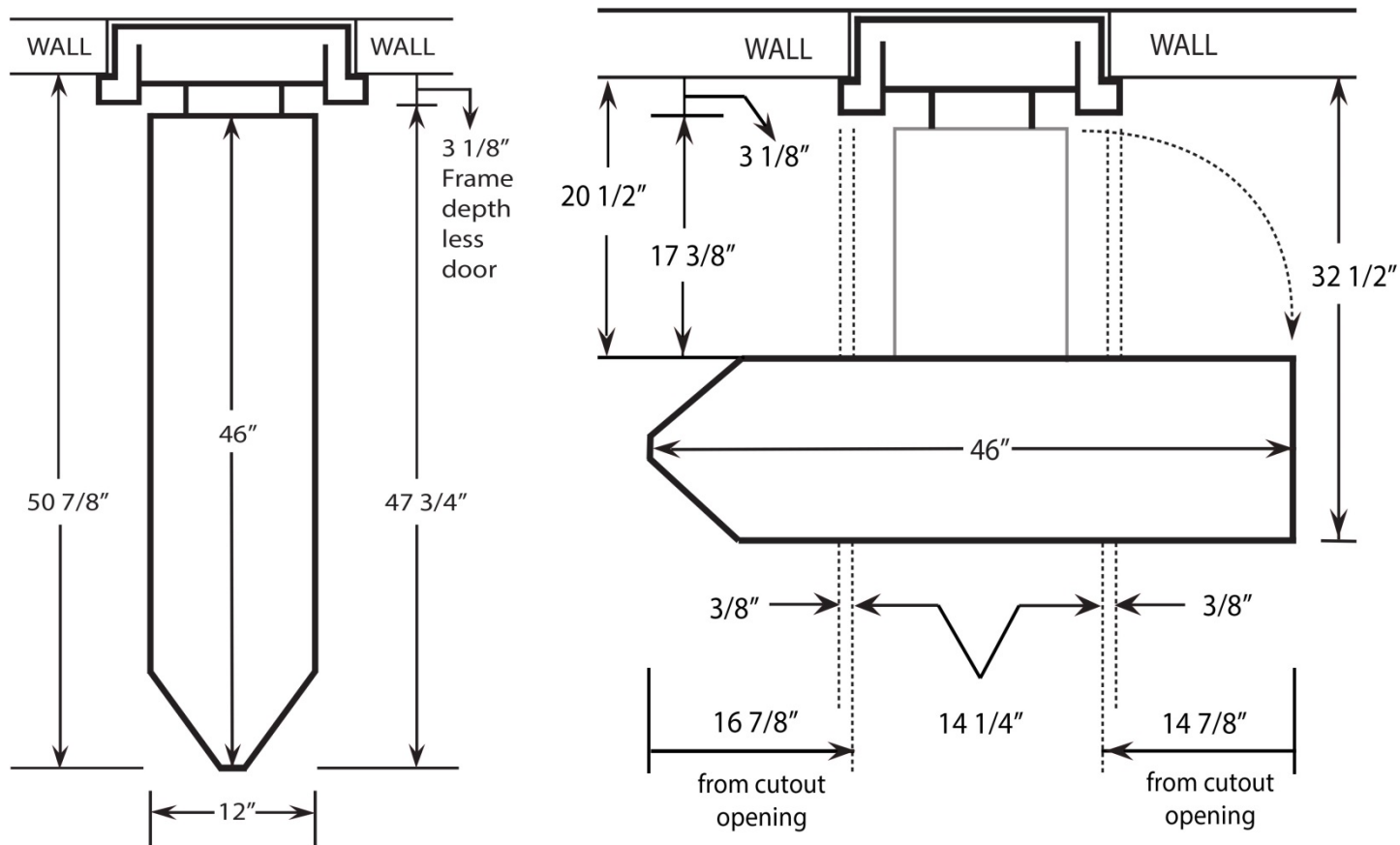
Board automatically engages to low position each time the board is lowered for use. High position requires adjustment and engages back to low position each time the board is put away.

Height Adjustments		
Cut Opening Above floor	Minimum (Default) Position	Maximum (Adjusted) Position
26"	37"	41"
25"	36"	40"
24"	35"	39"
23"	34"	38"
22"	33"	37"
21"	32"	36"

**Page 2**  
**Product Model: ANE-46**  
**Additional Information**

Measurements when board is lowered  
(Not to Scale)

Unit can be provided with a left hinged door upon request. Right hinge is standard.  
Door opens approximately 180°. Allow at least 16" from side of cabinet.  
Board can be turned left or right 90° in either direction until parallel with the wall.  
Additionally, there are conveniently placed stopping points as the board is being turned.



**Recommended Adequate Space/Clearance for Ironing**

Distance from Wall to tip of Ironing Board	50 7/8"
Swivel Clearance from cutout opening of cabinet	16 7/8"
Distance from Wall in Full Swivel Position	32 1/2"
Standing Area Clearance **	24"

\*\* The recommended distance from the side of the ironing board where the user will typically stand to ensure adequate space for ironing.