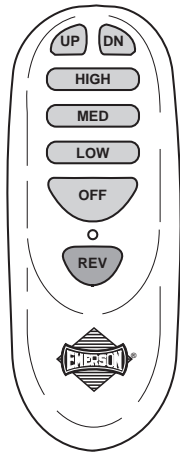


READ AND SAVE THESE INSTRUCTIONS



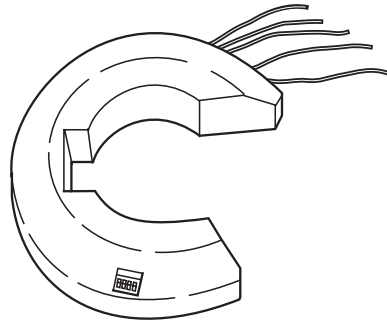
EMERSON™

SR110 & SW105 Ceiling Fan/Light Remote Control & Receiver Owner's Manual



Model

SR110
Remote Control



NOTE: The SR110 Remote Control must be used with a SW105 Receiver.

Model

SW105
Receiver

*For use only with Emerson Ceiling Fan Models
F2100 1, F2200 1, F2300 1, CF1 0, CF2300 0, CF2400 1,
CF2500 0, CF2800 0, CF3900 0, CF4500 1, and CF4800 1.*

 **WARNING****Safety Instructions**

WARNING: To avoid fire, shock, and serious personal injury, follow all instructions carefully.

1. **Read your Owner's Manual carefully before installing the Remote Control or Receiver. Retain Owner's Manual for future reference.**
2. **Before servicing or cleaning the ceiling fan, switch power off at service panel and lock service panel to prevent power from being switched on accidentally. When the service disconnecting means cannot be locked, securely fasten a warning device such as a tag, to the service panel.**

ADDITIONAL SAFETY INSTRUCTIONS FOR INSTALLATION

1. **To avoid possible electrical shock, be sure electricity is turned off at the main fuse or circuit breaker box before wiring.**
2. **Make certain no bare wires are exposed outside the wire connectors.**
3. **All wiring must conform to National and Local Electrical Codes.**
4. **Follow the recommended instructions for the proper method of wiring your new Remote Control or Receiver. If you feel you do not have enough electrical wiring knowledge or experience, have your Remote Control or Receiver installed by a licensed electrician. Any electrical work not described in this manual should be performed by a licensed electrician.**

INSTRUCTION TO THE USER (if device contains a digital device)

This equipment has been tested and found to comply with the limits for a class B digital device, pursuant to part 15 of the FCC Rules. These limits are designed to provide reasonable protection against harmful interference in a residential installation. This equipment generates, uses and can radiate radio frequency energy and if not installed and used in accordance with the instructions, may cause harmful interference to radio communications. However, there is no guarantee that interference will not occur in a particular installation. If this equipment does cause harmful interference to radio or television reception, which can be determined by turning the equipment off and on, the user is encouraged to try to correct the interference by one or more of the following measures:

- Reorient or relocate the receiving antenna.
- Increase the separation between the equipment and receiver.
- Connect the equipment into an outlet on a circuit different from that to which the receiver is connected.
- Consult the dealer or an experienced radio/TV technician for help.

This equipment has been certified to comply with the limits for a class B computing device, pursuant to FCC Rules. In order to maintain compliance with FCC regulations, shielded cables must be used with this equipment. Operation with non-approved equipment or unshielded cables is likely to result in interference to radio and TV reception. The user is cautioned that changes and modifications made to the equipment without the approval of manufacturer could void the user's authority to operate this equipment.

This Class B digital apparatus meets all requirements of the Canadian Interference-Causing Equipment Regulations.

DATE CODE: _____

The date code of this fan may be found on the box, stamped in ink on a white label. You should record this data above and keep it in a safe place for future use.

General

Your Emerson Ceiling Fan/Light Control consists of a hand-held SR110 Remote Control (transmitter) and a SW105 Receiver which is mounted under the fan ceiling cover. The remote control is designed to control your ceiling fan speed, airflow direction, and light intensity.

NOTE: The remote control is to be used only with the following Emerson ceiling fan models: F2100, F2200, CF1, CF2300, CF2400, CF2500, CF2800, CF3900, CF4500 and CF4800.

The SW105 Receiver may also be used with the SW115 Wall Control.

Unpackaging

The carton with the SR110 Remote Control transmitter also contains a storage bracket with two mounting screws.

The carton with the SW105 Receiver also contains a reversing module, seven wire connectors, and four pull chain switch plugs.

IMPORTANT

This Owner's Manual is divided into two sections. The first section, REMOTE CONTROL PROCEDURES, describes how to install the four alkaline batteries (not supplied) in the remote control transmitter, and how to set the operating frequency of the transmitter and receiver. These instructions must be performed prior to installation of the ceiling fan as described in the second section, CEILING FAN PROCEDURES.

REMOTE CONTROL PROCEDURES

General

Your Emerson Ceiling Fan/Light Remote Control consists of a hand-held transmitter and a receiver which is mounted under the fan ceiling cover. The remote control is designed to separately control your ceiling fan and light intensities. There are four push buttons (HI, MED, LOW, OFF) to set the fan speed and turn the fan off.

The REV push button changes the airflow direction of the fan blades. The UP (uplight) and DN (downlight) push buttons turn the lights on and off and control the light intensities. The red indicator light will illuminate while any button is pressed, indicating that the battery is good.

The remote control transmitter is powered by four AAA alkaline batteries (not supplied). To prevent possible damage if the batteries should leak, be sure to remove the batteries when the control is not to be used for an extended period of time.

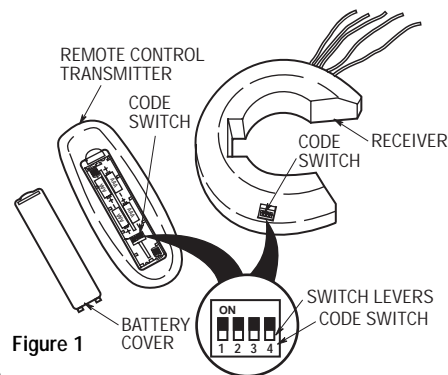
Code switches in the transmitter and receiver may be set in 16 different positions. If your fan and light go on and off without using your control, you may be getting interference from other remote units such as garage door openers, car alarms or security systems. To remedy this situation, simply change the combination code in your transmitter and receiver.

Preset Memory Feature

Your Emerson remote control receiver is equipped with a preset memory feature. The receiver will remember the light intensities and fan speed when the lights and fan are turned off from the wall switch. When the wall switch is turned back on, the lights and fan will resume operation as they were prior to being turned off.

Installation of Battery

1. Remove the battery cover and install four AAA batteries (not supplied), oriented as shown in the battery compartment (Figure 1).



Setting Operating Frequency of Transmitter and Receiver

Your remote control transmitter and receiver have code switches which must be set on one of 16 possible code combinations. The four levers (numbered 1, 2, 3, and 4) on the switches are factory-set in the ON (up) position. Do not use this setting. Change the switch settings as follows:

- Slide the four switch levers (Figure 1) in the remote control transmitter to your choice of ON (up) or down positions. Use a ball-point pen or small screwdriver and slide the levers firmly up or down.
- In the receiver, slide the four switch levers in the same positions as set in the transmitter. Make sure the levers on both switches are in the same positions; otherwise the fan will not operate.
- Position the batteries in the transmitter battery compartment and replace the battery cover.

CEILING FAN PROCEDURES

Installation to Operate the Ceiling Fan, Downlight and Uplight

IMPORTANT

It is important that you also follow the installation instructions contained in the Owner's Manual supplied with your Ceiling Fan. Pay particular attention to the Safety Instructions and WARNING notes.

- Remove and retain the screws securing the housing cover to the switch housing (Figure 2).
- All Ceiling Fan Models.** Disconnect the motor connector from the wiring harness connector (Figure 2). Remove the knurled nut securing the speed control switch to the switch housing.

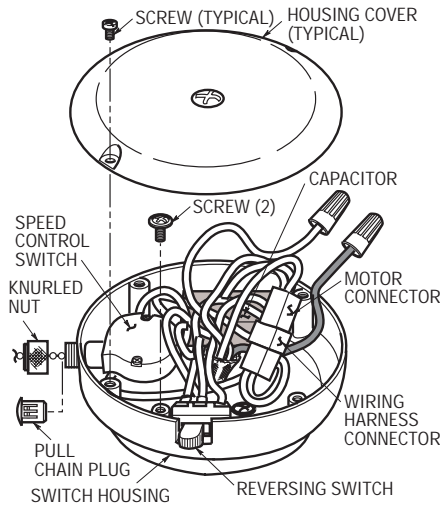
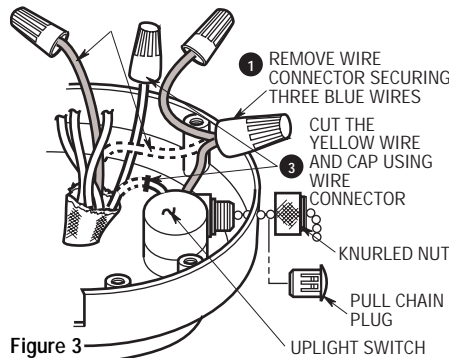


Figure 2

- For Ceiling Fan Models CF2400, CF4500 and CF4800 Only.** Remove the wire connector joining the three blue wires. (Figure 3). Separate the blue wire coming from the ceiling fan and cap this wire using a wire connector (supplied). On Models CF4500 and CF4800 only, cut the yellow wire coming from the uplight switch; cap the end of this wire coming from the center of the motor using a wire connector. On Model CF2400 only, remove the wire connector joining the two yellow wires; cap the yellow wire coming from the motor using a wire connector (orange wire on older models). Remove the knurled nut securing the uplight switch to the switch housing and remove the uplight switch.

NOTE: Keep the uplight switch if you think you may like to return to manual control in the future.

- SEPARATE BLUE WIRE COMING FROM CEILING FAN AND CAP USING WIRE CONNECTOR



4 Figure 3

4. For Ceiling Fan Models CF2500, CF3900, CF4500 and CF4800 Only. Remove two screws securing the reversing switch to the switch housing (Figure 2).

5. For Ceiling Fan Models F2100, F2200 and CF2300 Only. Remove the knurled nut securing the reversing switch to the switch housing (Figure 4).

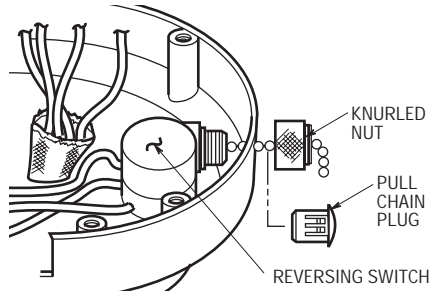


Figure 4

6. For Ceiling Fan Models CF1 and CF2800 Only. Locate the gray capacitor wire which is connected to the yellow wire (gray wire on older models) coming from the center of the motor. Remove the wire connector and separate the gray and yellow wires. Cap the yellow wire using a wire connector (supplied) (Figure 5).

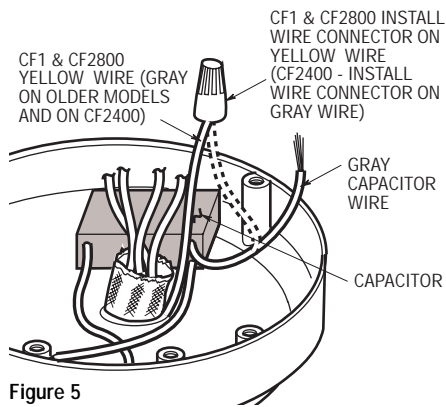


Figure 5

6A. For Ceiling Fan Model CF2400 Only. Locate the gray capacitor wire which is connected to the gray wire coming from the center of the motor (yellow wire on older models). Remove the wire connector and separate the gray wires. Cap the gray wire using a wire connector (supplied) (Figure 5).

7. All Ceiling Fan Models. Separate the capacitor (held in place with two-sided tape) from the switch housing (Figure 2) and remove the wiring harness and switch(es) from the switch housing.

NOTE: Keep the wiring harness if you think you may like to return to manual control in the future.

8. All Ceiling Fan Models. Close the hole(s) for the speed control switch and the upright switch or reversing switch by installing pull chain plug(s) (supplied) in the hole(s). (See Figures 2, 3, and 4). Choose the color that best matches our ceiling fan.

9. Position the reversing module (supplied) in the switch cup; connect the reversing module connector to the motor connector (Figure 6). The connectors are color-coded and keyed and can be connected in only one manner.

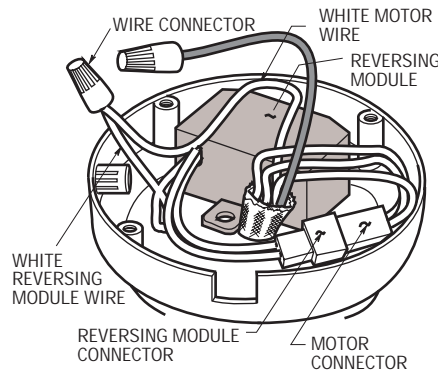


Figure 6

10. Using a wire connector (supplied), connect the white wire from the motor to the reversing module white wire (Figure 6).

11. Position the housing cover (Figure 2) on the switch housing and secure using the screws removed in Step 1.

NOTE: If you are planning to install an optional Emerson Light Fixture on your ceiling fan, do not install the housing cover (Step 11) at this time.

12. Place the fan housing (top of motor facing upward) in the lower styrofoam pad. The lower pad serves as a holder for the fan during the following procedures.

13. For Ceiling Fan Models F2100, F2200, CF2300, CF2500 and CF3900 Only. Locate and remove the connector from the yellow wire from the uplight (Figure 7). Separate, untwist and unkink the 80" yellow wire lead (supplied with the fan) and cut off the connector from the end of the wire. Strip 1/2-inch of insulation from the end of this wire. Then join the 80" yellow wire to the yellow wire from the uplight using a wire connector (supplied).

NOTE: The red and brown wires coming from the top of the motor are capped with wire connectors. DO NOT remove these connectors.

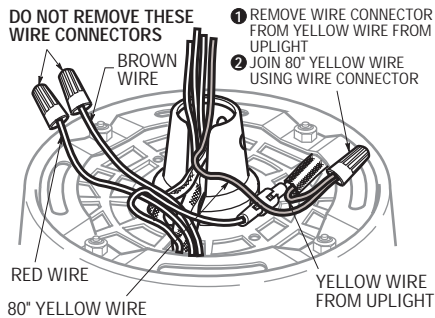


Figure 7

14. For Ceiling Fan Models CF4500 and CF4800 Only. Locate the two yellow wires terminated by a wire connector. Remove the wire connector and separate the wires (Figure 8). One yellow wire comes from the motor coupling; cap the end of this wire using a wire connector (supplied) (Figure 9). Separate, untwist and unkink the 80" yellow wire lead (supplied with the fan) and cut off the connector from the end of the wire. Strip 1/2-inch of insulation from the end of this wire. Then join the 80" yellow wire to the yellow wire from the uplight using a wire connector (supplied). (Figure 9).

NOTE: The red and brown wires coming from the top of the motor are capped with wire connectors. DO NOT remove these connectors.

14A. For Ceiling Fan Models CF2400 Only. Cut the yellow wire midway between the motor coupling and the grommet in the inside of the housing (orange wire on older CF2400 models). Cap the yellow wire coming from the motor coupling using a wire connector (supplied). Separate, untwist and unkink the 80" yellow wire lead (supplied with the fan) and cut off the connector from the wire. Strip 1/2-inch of insulation from the end of this wire. Then join the 60" yellow wire to the yellow wire coming from the inside of the housing using a wire connector.

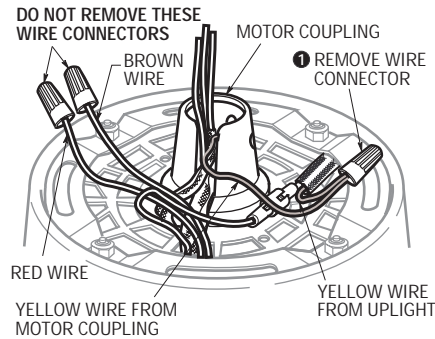


Figure 8

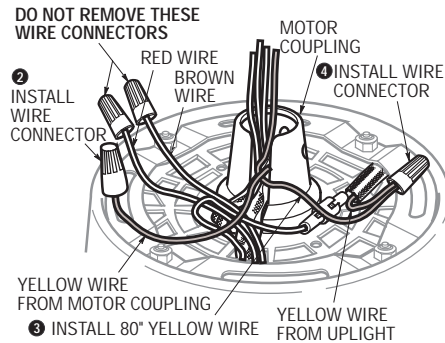


Figure 9

15. For Ceiling Fan Models CF1 and CF2800 Only. No wiring changes are required on top of the motor; proceed to Step 16.

- Remove the hanger ball by loosening the setscrew in the hanger ball until the ball falls freely down the downrod (Figure 10). Remove the pin from the downrod, then remove the hanger ball. Retain the pin and hanger ball for reinstallation in Step 22.

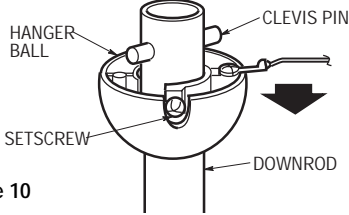


Figure 10

- Separate, untwist and unkink the 80" white, black, and blue motor lead wires. Route the three motor leads and the 80" yellow lead wire (used only on fans with upright) through the downrod. Seat the downrod firmly in the motor coupling (Figure 11).

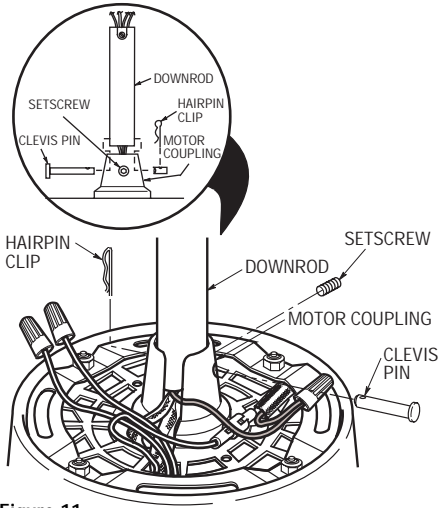


Figure 11

- Align the clevis pin holes in the downrod with the holes in the motor coupling. Install the clevis pin (supplied with the ceiling fan) and secure with the hairpin clip (Figure 11). The clevis pin must go through the holes in the motor coupling and the holes in the downrod. Push the straight leg of the hairpin clip through the hole near the end of the clevis pin until the curved portion of the hairpin clip snaps around the clevis pin.

The hairpin clip must be properly installed to prevent the clevis pin from working loose. Pull on the downrod to make sure the clevis pin is properly installed.

WARNING

It is critical that the pin in the hanger ball is properly installed and the setscrew securely tightened. Failure to verify that the pin and setscrew are properly installed could result in the fan falling.

- Install the setscrew (supplied with ceiling fan) in the motor coupling (Figure 11). While pulling up on the downrod, tighten the setscrew using the 5/32" setscrew wrench (supplied with ceiling fan).

NOTE: The setscrew must be properly installed as described above, or fan wobble could result.

- Screw two 1" threaded studs (supplied with ceiling fan) into the motor (Figure 12). Leave approximately 7/8" of the stud extending above the motor. Slide the motor cover over the downrod and rotate the cover until the threaded studs protrude; install two knurled knobs (supplied with ceiling fan).

NOTE: Make sure the red and brown leads are capped with wire connectors and all wires are completely inside motor cover and not pinched between the motor cover and motor.

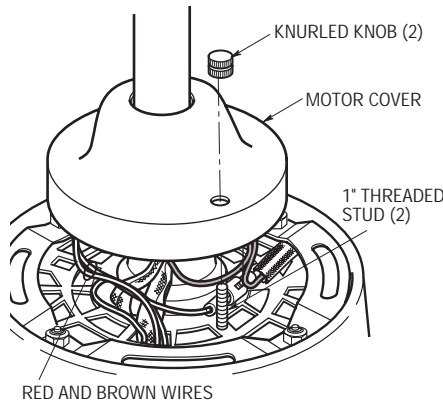


Figure 12

21. Position the ceiling cover over the downrod (Figure 13). Be sure the cover is oriented correctly, with the large opening at the top.
22. Reinstall the hanger ball on the downrod (Figure 13) as follows. Route the motor leads through the hanger ball and slide the hanger ball over the downrod. Install the pin through the holes at the top of the downrod and slide the hanger ball up the downrod, aligning the ball so the pin is captured in the groove in the top of the hanger ball. Pull the hanger ball up tight against the pin and securely tighten the setscrew in the hanger ball. A loose setscrew could create fan wobble.
23. Cut the wire leads from the downrod approximately 6-inches above the hanger ball. Strip back insulation 1/2-inch from the end of the leads.

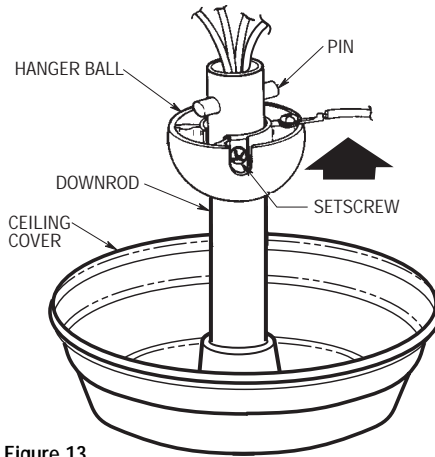


Figure 13

24. Install the hanger bracket and hang the fan in accordance with the instructions in the Ceiling Fan Owner's Manual.
25. Pull the wire leads, coming from the end of the downrod, and the supply wires through the open side of the hanger bracket. (Figure 14).
26. Position the SW105 Receiver in the ceiling cover so that the flat side of the receiver faces up and the open portion of the receiver is to the right, as shown in Figure 14.

⚠ WARNING

It is critical that the pin in the hanger ball is properly installed and the setscrew securely tightened. Failure to verify that the pin and setscrew are properly installed could result in the fan falling.

24. Install the hanger bracket and hang the fan in accordance with the instructions in the Ceiling Fan Owner's Manual.
25. Pull the wire leads, coming from the end of the downrod, and the supply wires through the open side of the hanger bracket. (Figure 14).
26. Position the SW105 Receiver in the ceiling cover so that the flat side of the receiver faces up and the open portion of the receiver is to the right, as shown in Figure 14.

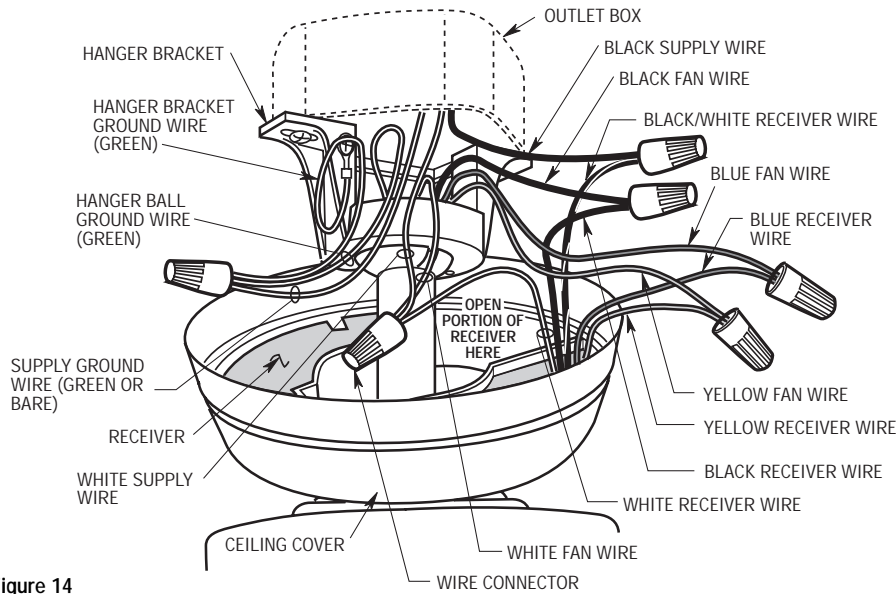
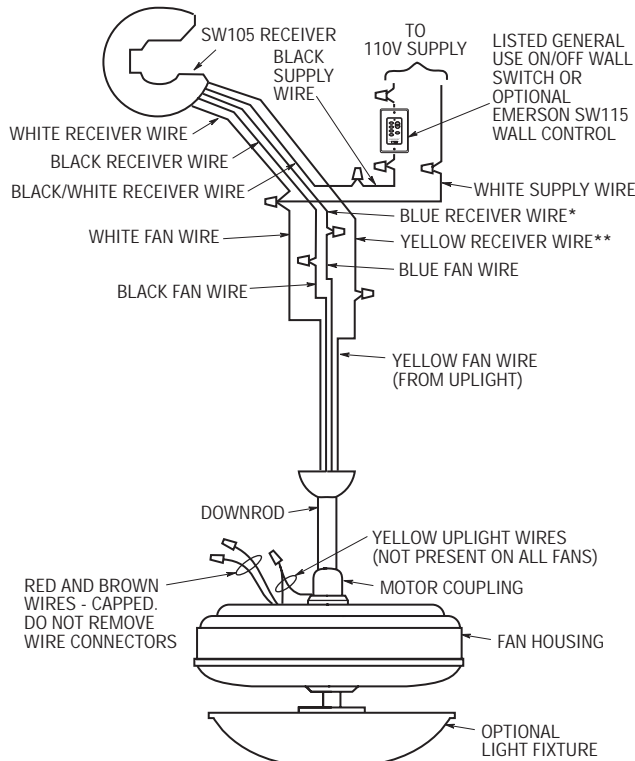


Figure 14



* IF YOUR CEILING FAN DOES NOT HAVE A DOWNLIGHT, CAP THE BLUE RECEIVER WIRE USING A WIRE CONNECTOR.

** IF YOUR CEILING FAN DOES NOT HAVE AN UPLIGHT, THERE WILL BE NO YELLOW FAN WIRE. IN THIS CASE, CAP THE YELLOW RECEIVER WIRE USING A WIRE CONNECTOR.

Figure 15

27. Using wire connectors (supplied), make wiring connections as follows (Figure 14 and 15):

- a. Connect the green ground wires from the hanger bracket and the hanger ball to the supply ground wire (bare or green).
- b. Connect the white fan wire and the white supply wire to the white receiver wire (AC IN/MOTOR N).
- c. Connect the black fan wire to the black receiver wire (TO MOTOR L).
- d. Connect the black supply wire to the black/white receiver wire (AC IN L).

- e. Connect the blue fan wire to the blue receiver wire (BOTTOM LIGHT).
- f. Connect the yellow fan wire to the yellow receiver wire (UPPER LIGHT).

CAUTION: If your ceiling fan does NOT have an uplight, there will be NO yellow fan wire. In this case, cap the yellow receiver wire using a wire connector (supplied). If your ceiling fan does NOT have a downlight, cap the blue receiver wire using a wire connector (supplied).

28. Insert the connected ends of the wires up through the open side of the hanger bracket and into the outlet box as shown in Figure 16.

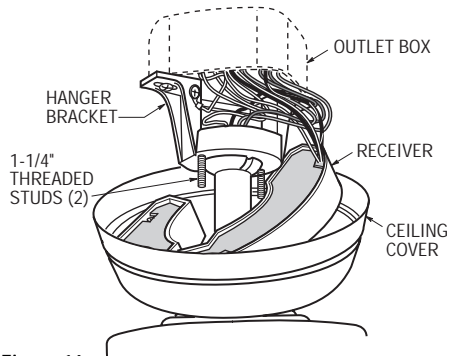


Figure 16

29. Screw two 1-1/4" threaded studs (supplied with the ceiling fan) into the tapped holes in the hanger bracket (Figure 16).
30. Slide the receiver up and over the hanger bracket. Press the receiver against the ceiling, holding it in place while installing the ceiling cover in accordance with the instructions in the Ceiling Fan Owner's Manual.
31. Install the fan blades in accordance with the instructions in the Ceiling Fan Owner's Manual.
32. Install the optional Emerson Light Fixture in accordance with the instructions in the Light Fixture Owner's Manual.

NOTE: To prevent damage to the receiver, turn "off" the electricity at the wall switch before installing or removing light bulbs on the ceiling fan or light fixture.

Operation

IMPORTANT

Fan installation must be completed, including the installation of the fan blades, before testing of the remote control.

Your remote control (Figure 17) has full control of your fan and lights.

NOTE: Prior to operation of the downlight from the remote control, make sure the switch on the light is ON.

1. To set the desired fan speed, press the HI, MED, or LOW button to operate your fan on high, medium, or low speed.
2. To turn your fan off, press the OFF button.
3. To change the airflow direction of the fan blades, press the REV button.
4. To turn the downlight on, press and release the DN button. The light will turn on at the light intensity previously selected.
5. To turn the uplight on, press and release the UP button. The light will turn on at the light intensity previously selected.
6. To vary the intensity of the light, hold the DN or UP button down until the desired light intensity is reached, then release the button.

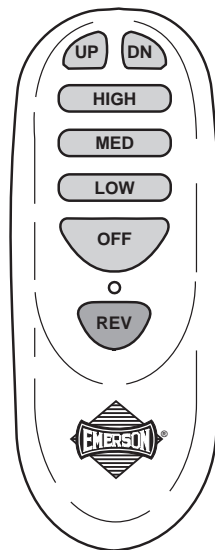
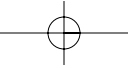


Figure 17



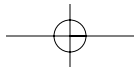
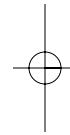
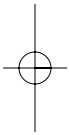
Installation of Storage Bracket

A storage bracket is supplied with the remote control for holding the control unit when not in use. If you desire to use the bracket, use the two screws (supplied) and install it on a wall that is away from excessive heat or humidity.

Trouble Shooting

FAN/LIGHT FAILS TO OPERATE

- Check that the light switch on the light fixture is on.
- Check that the battery is good (red indicator light should light when any button is pressed).
- Check that the receiver is wired properly.
- Check that the ON/OFF wall switch is in the ON position.
- Check that the receiver and transmitter code switches are set in the same position.



LIMITED WARRANTY

What The Warranty Covers:

All products covered by this Owner's Manual are warranted against all defects in workmanship and materials. You must be the original purchaser or user of the product to be covered.

What The Period Of Coverage Is:

All components are covered by this warranty for one year from the date you purchased your Remote Control or Receiver ANY IMPLIED WARRANTY OF MERCHANTABILITY OR FITNESS FOR A PARTICULAR PURPOSE, MADE WITH RESPECT TO COMPONENTS AND ACCESSORIES IS ALSO LIMITED TO ONE YEAR.

What Will Emerson Electric Co. Do To Correct Problems:

Emerson will replace a defective Emerson Remote Control or Receiver at no charge to you. **We will ship the repaired product or replacement to you at no charge, but you are responsible for all costs or removal, reinstallation and shipping of the product to Emerson.**

How Can You Get Service:

YOU MUST HAVE PROOF OF YOUR PURCHASE OF THE REMOTE CONTROL OR RECEIVER TO OBTAIN LIMITED WARRANTY SERVICE. KEEP YOUR RECEIPT OR OTHER PROOF OF PURCHASE. You can return the product to our factory or to your nearest authorized service center.

- To return the product to the factory, obtain a return authorization and service identification tag by writing to Air Comfort Products, Division of Emerson Electric Co., 8100 W. Florissant Ave., St. Louis, MO 63136. Include all model numbers shown on the product with your request.
- To return the product to an authorized service center, call 1-800-654-3545 for the address of the nearest authorized service center.

You will be responsible for all insurance, freight or other transportation charges to our factory or authorized service center. Your Emerson Remote Control or Receiver should be properly packed to avoid damage in transit since we will not be responsible for any such damage.

What Is Not Covered:

This warranty also does not cover any defects, malfunctions or failures caused by:

- Repairs by persons not authorized by Emerson Electric Co.,
- Use of parts or accessories not authorized by Emerson Electric Co.,
- Mishandling, improper installation, modifications or damage to your remote control while in your possession, or
- Unreasonable use, misuse, abuse, including failing to do reasonable and necessary maintenance, and normal wear and tear.

Additionally, this warranty and any implied warranty of merchantability or fitness for a particular purpose are voided when:

- The original purchaser or user ceases to own the product, or
- The ceiling fan is moved from its original point of installation.

This warranty is only valid within the 50 states of the United States and the District of Columbia. No other written or oral warranties apply, and no employee, agent, dealer or other person is authorized to give any warranties on behalf of Emerson Electric Co.

REPAIR, REPLACEMENT OR A REFUND ARE THE EXCLUSIVE REMEDIES AVAILABLE UNDER THIS WARRANTY AND EMERSON IS NOT RESPONSIBLE FOR DAMAGES OF ANY KIND, INCLUDING INCIDENTAL AND CONSEQUENTIAL DAMAGES. Incidental damages include but are not limited to such damages as loss of time and loss of use. Consequential damages include but are not limited to the cost of repairing or replacing other property which was damaged if this product does not work properly.

How State Law Relates To The Warranty:

Some states do not allow the exclusion or limitation of incidental or consequential damages so the above exclusion or limitation may not apply to you. This warranty gives you specific legal rights, and you may also have other rights which vary from state to state.



EMERSON™

Air Comfort Products
DIVISION OF EMERSON ELECTRIC CO.
8100 W. Florissant • St. Louis, MO 63136