

WINE DISPENSING SYSTEM MODEL: DYWS4



Trim Kit Part Number AWSTK24

INSTALLATION INSTRUCTIONS

IMPORTANT: The wine dispensing utilizes a thermo-electric cooling system that can normally cool the bottle bay to a temperature 25°F less than the ambient air outside the unit. This trim kit limits system air circulation slightly, limiting the cooling capability to 22°F less than ambient. Be sure that this limitation is acceptable before installing this kit.

Parts Included with kit



(8) #8 x 3/8 Phillips head screws (PN 83263)



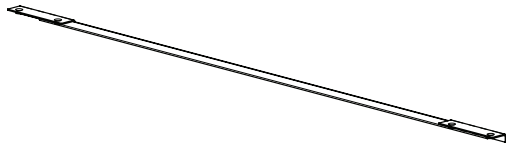
(9) #10 x 1/2 Phillips head screws (PN 83022)



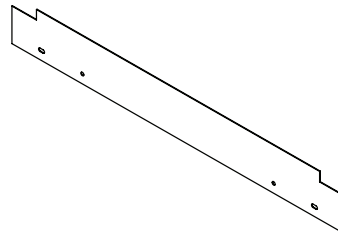
(8) Flat head Phillips head screws (PN 107578)



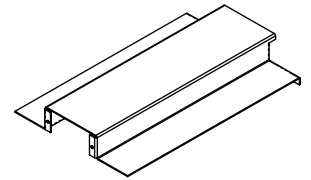
(8) Fiber washers (PN 83555)



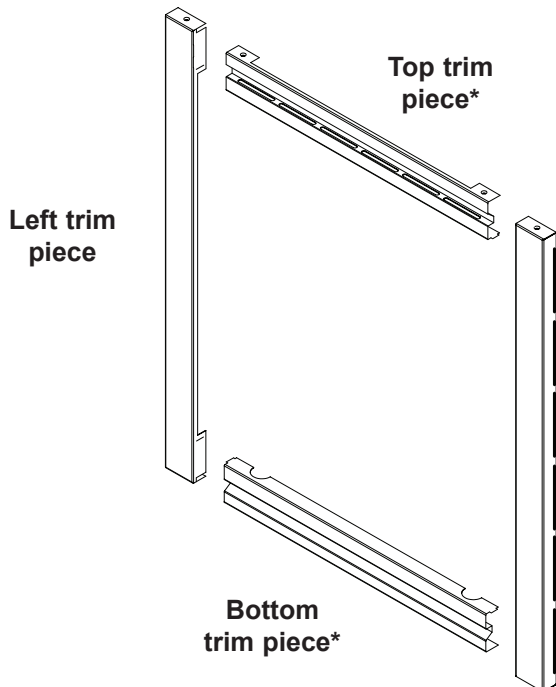
Top trim bracket



(1) Base divider



(2) Base supports

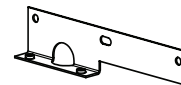


Top trim piece*

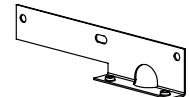
Left trim piece

Right trim piece

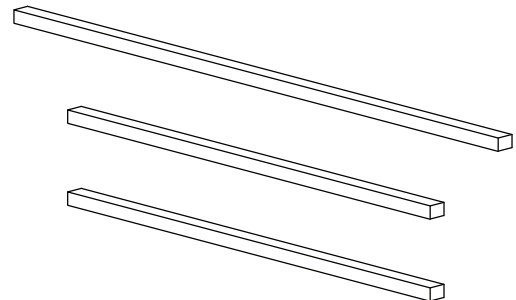
Bottom trim piece*



Bottom left trim bracket



Bottom right trim bracket



Foam Strips
(1 long, 2 short)

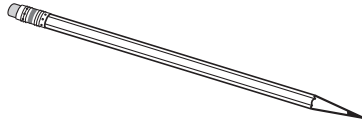
*The top and bottom trim pieces are identical, but installed in the opposite orientation from each other.

Wine Dispensing System Trim Kit Instructions

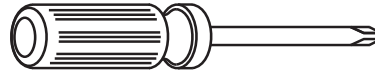
Tools Required



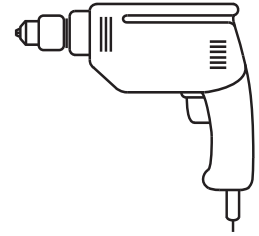
Tape measure



Pencil



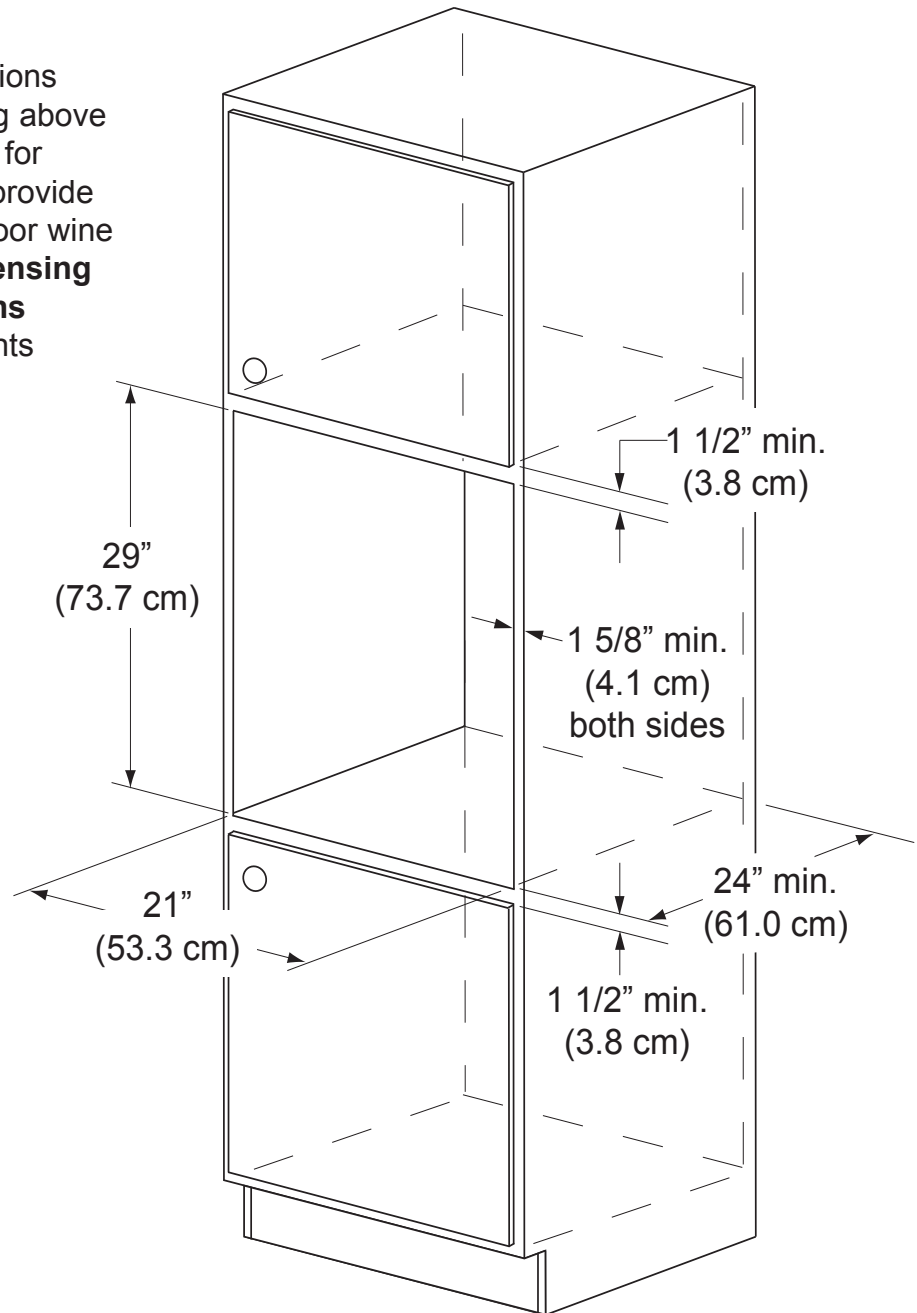
Phillips head
screwdriver



Drill with 3/32" drill bit
(for drilling pilot holes)

Introduction

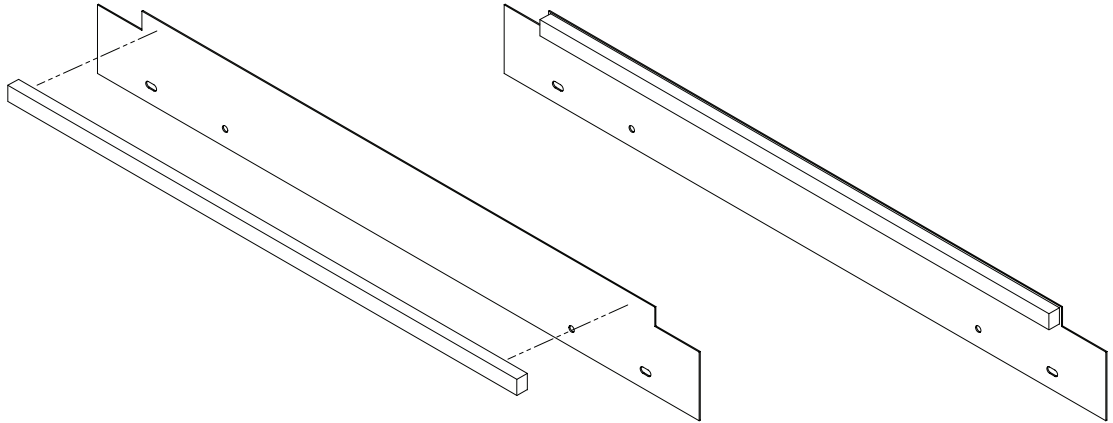
For proper fit, the cutout dimensions shown are required. The spacing above and below the cutout are critical for ventilation purposes. Failure to provide proper ventilation will result in poor wine cooling. Consult the **Wine Dispensing System Installation Instructions** for additional cabinet requirements (electrical requirements etc.).



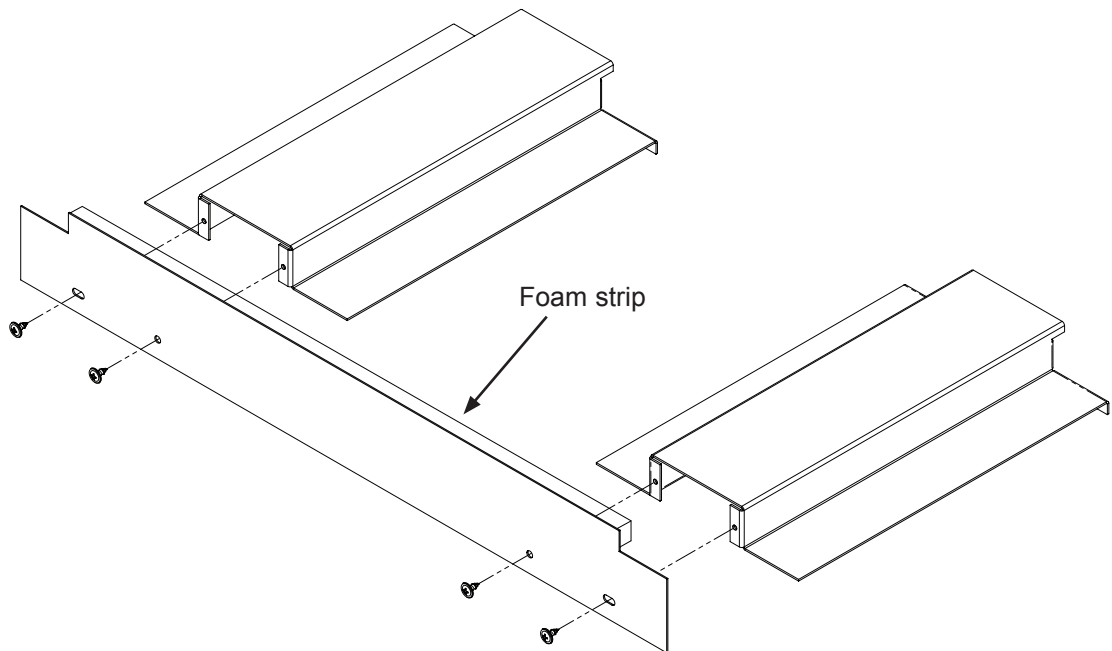
Wine Dispensing System Trim Kit Instructions

Installation Instructions

- STEP 1** Peel the protective backing off of the longest of the 3 foam strips and attached it to the base divider as shown.



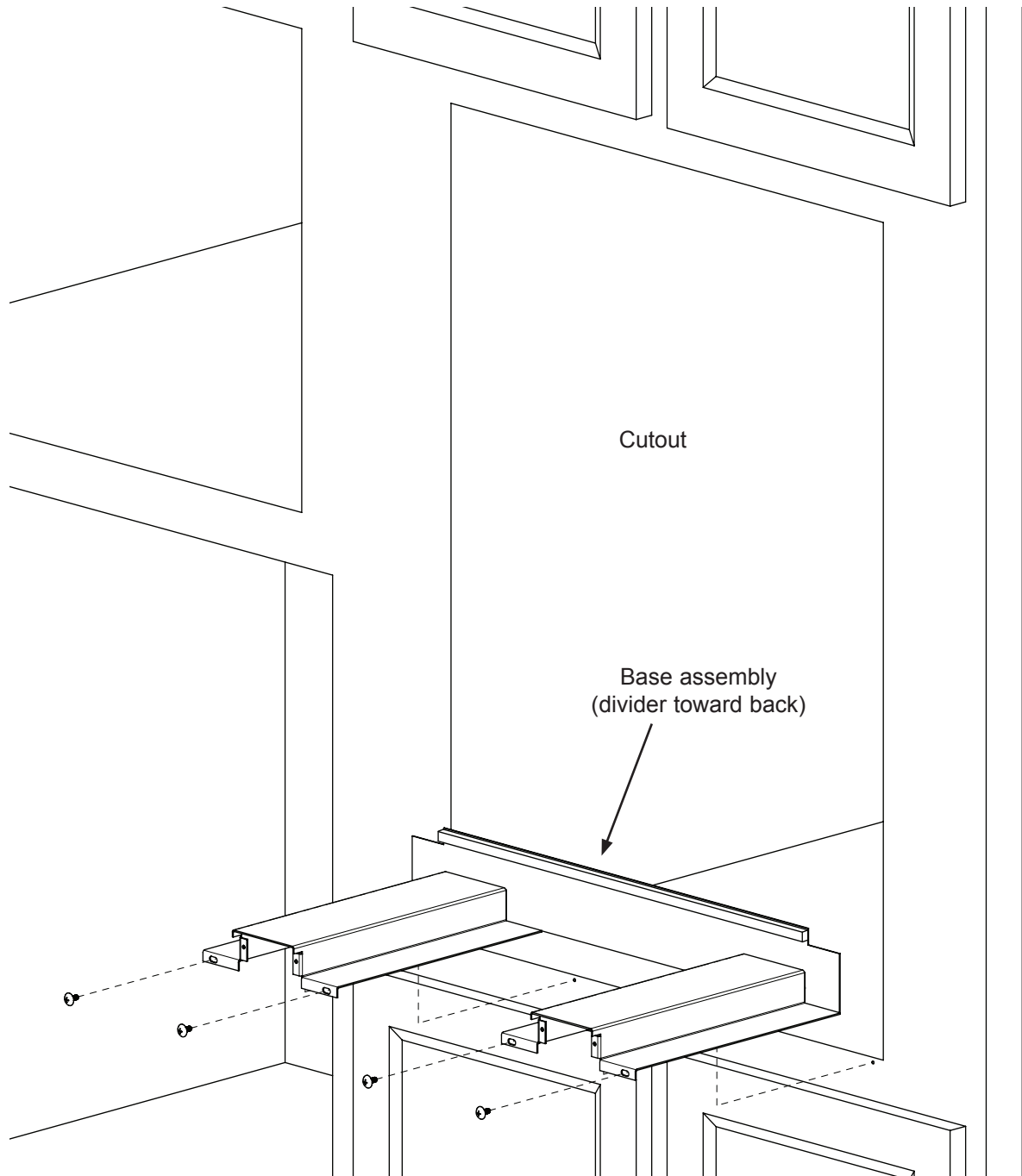
- STEP 2** Attach the (2) base pieces to the base divider using (4) #8 x 3/8 screws. The foam strip attached in step 1 goes toward the base pieces as shown below.



Base Assembly

Wine Dispensing System Trim Kit Instructions

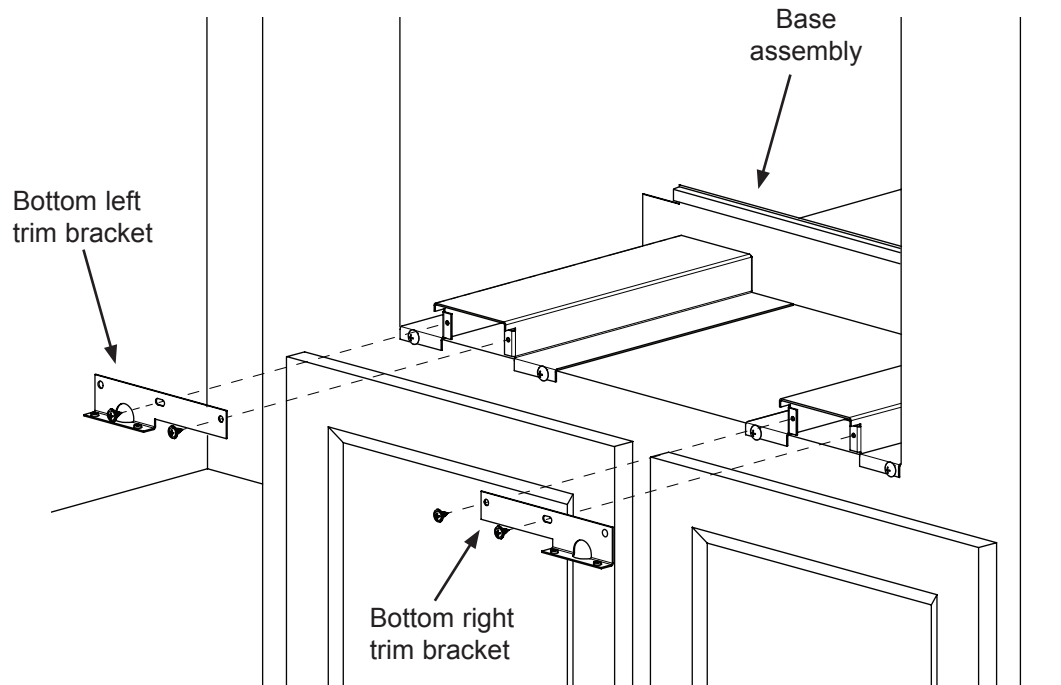
- STEP 3** Insert the base assembly, assembled in step 1, into the cutout with the divider toward the back. Center it left to right in the cutout using a ruler or tape measure.
- STEP 4** Using a pencil, mark 4 pilot hole locations in the front of the cabinet.
- STEP 5** Drill 4 pilot holes for the base assembly using a 3/32" drill bit.
- STEP 6** Attach the base assembly to the front of the cabinet using (4) #10 x 1/2 Phillips head screws.



Base Installation

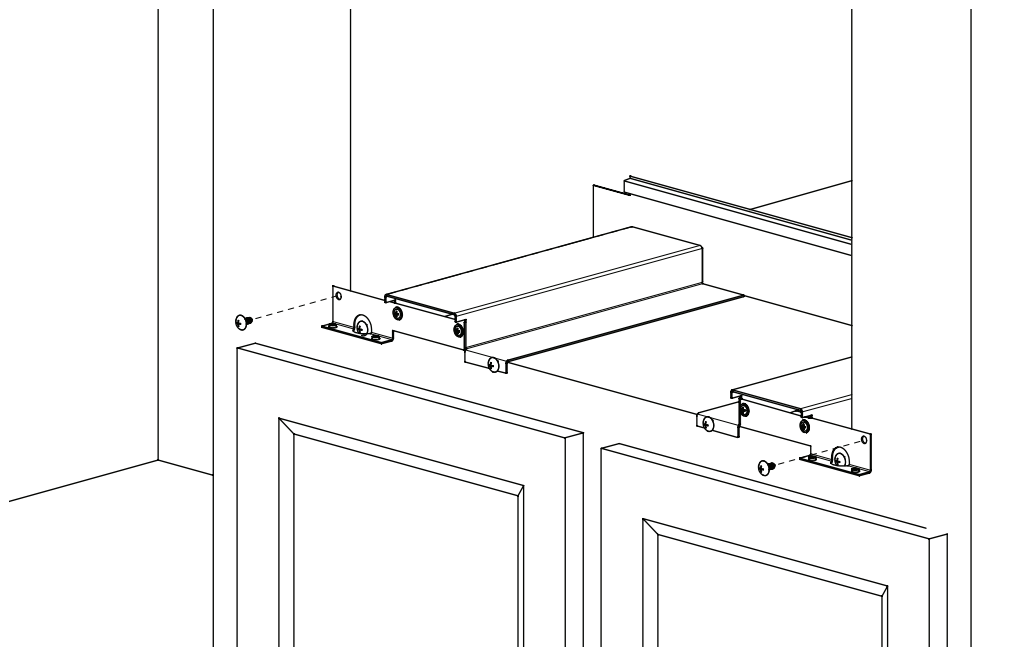
Wine Dispensing System Trim Kit Instructions

- STEP 7** Attach the bottom left and bottom right trim brackets to the front of the base assembly as shown, using (4) #8 x 3/8 screws.



Bottom Trim Bracket Installation

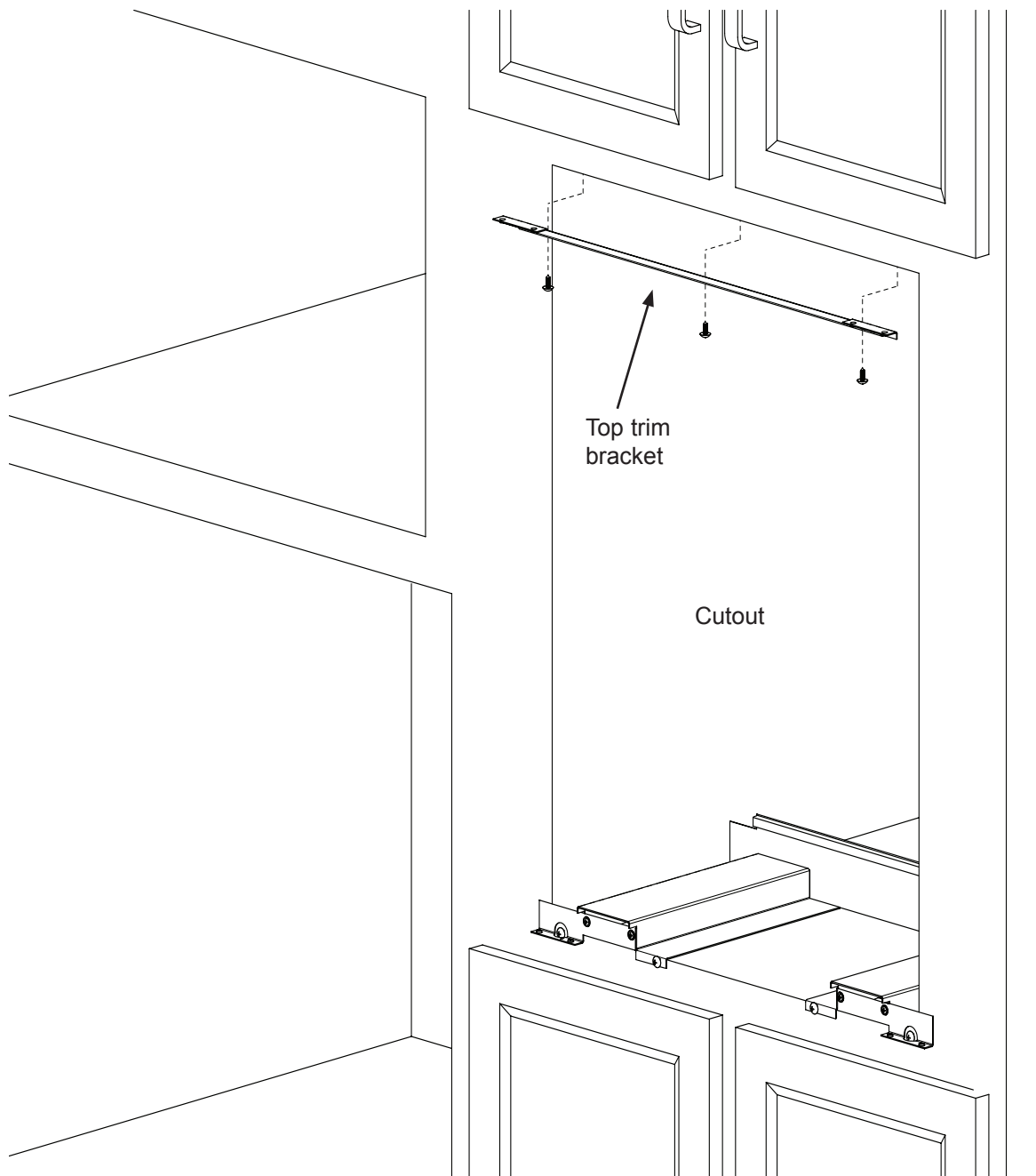
- STEP 8** Attach the bottom left and bottom right trim brackets to the front of the cabinet using (2) #10 x 1/2 Phillips head screws.



Attach Bottom Trim Brackets to Cabinet

Wine Dispensing System Trim Kit Instructions

- STEP 9** Hold the top trim bracket in the mounting position on the top edge of the cutout. Center it using a ruler or tape measure
- STEP 10** While holding the trim bracket in place, using a pencil, mark 3 pilot hole locations in the underside of the top of the cabinet cutout.
- STEP 11** Drill 3 pilot holes for the top trim bracket using a 3/32" drill bit.
- STEP 12** Attach the top trim bracket to the top front of the cabinet using (3) #10 x 1/2 Phillips head screws.

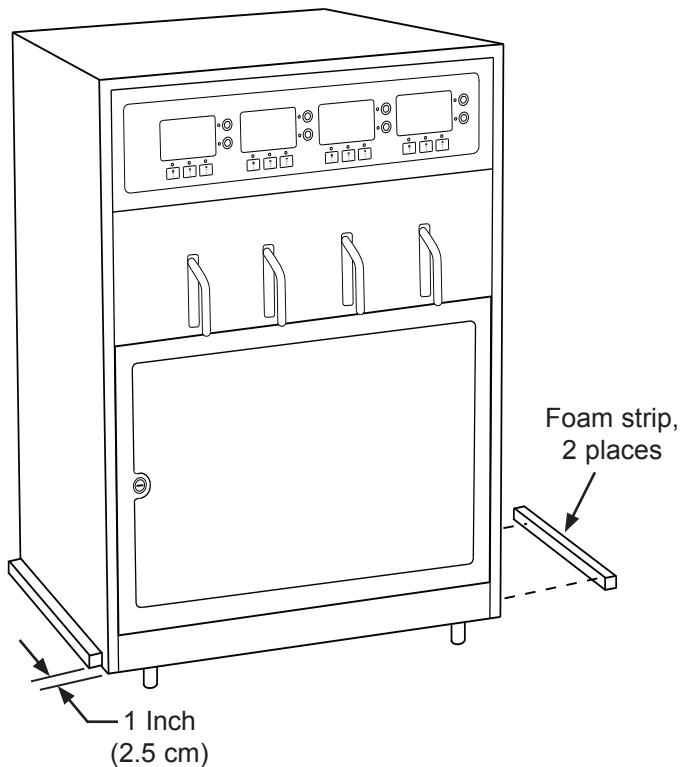


Top Trim Bracket Installation

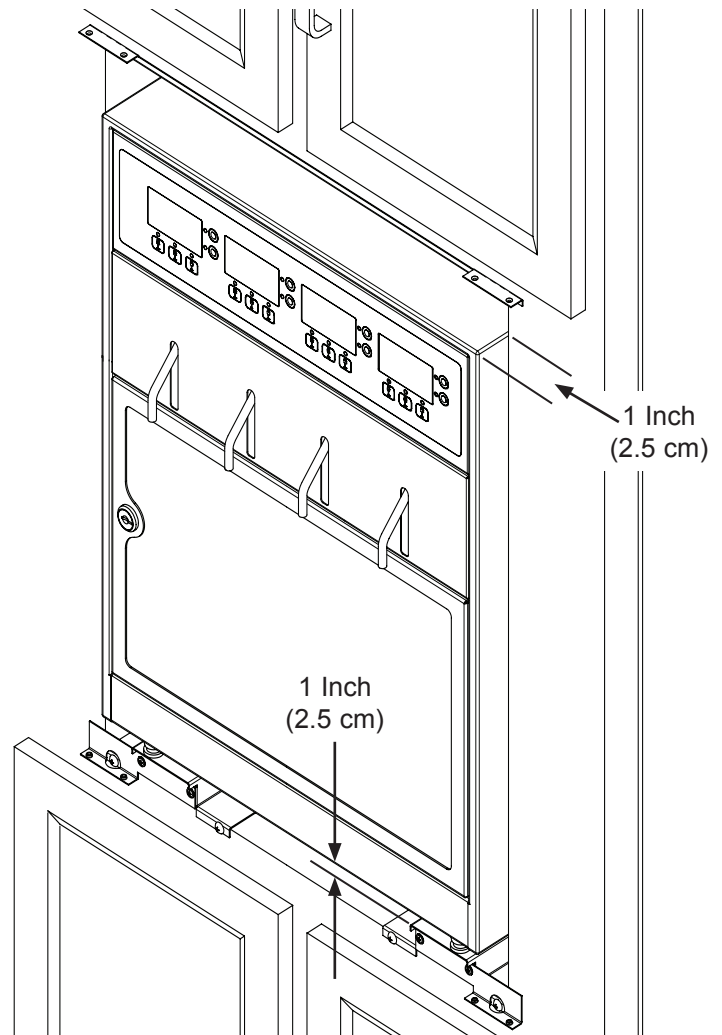
Wine Dispensing System Trim Kit Instructions

⚠ WARNING: Excessive weight hazard - Use two or more people to move and install the wine dispensing system. Failure to do so can result in back or other injury.

- STEP 13** With the help of at least one other person, place the wine dispensing system close to the cabinet cutout. Connect the power supply and the gas supply line according to the **Wine Dispensing System Installation Instructions**. Adjust the leveling legs to 1 inch in height. **NOTE:** The trim and the wine dispensing system will not line up properly if the legs are not adjusted to 1 inch.
- STEP 14** Peel the protective backing off of the short foam strips included with the kit and attached them to the sides of the wine dispensing system at the bottom of the side panel. Leave a 1 inch gap between the front of the unit and the edge of each foam strip (see below).
- STEP 15** With the help of at least one other person, lift the wine dispensing system into the cutout. Be sure that the foam strips on the sides do not pull loose. The legs on the wine dispensing system go on top of the base supports.
- STEP 16** Center the wine dispensing system left to right in the cutout using a ruler or tape measure. The front of the system needs to protrude from the front of the cabinet 1 inch.



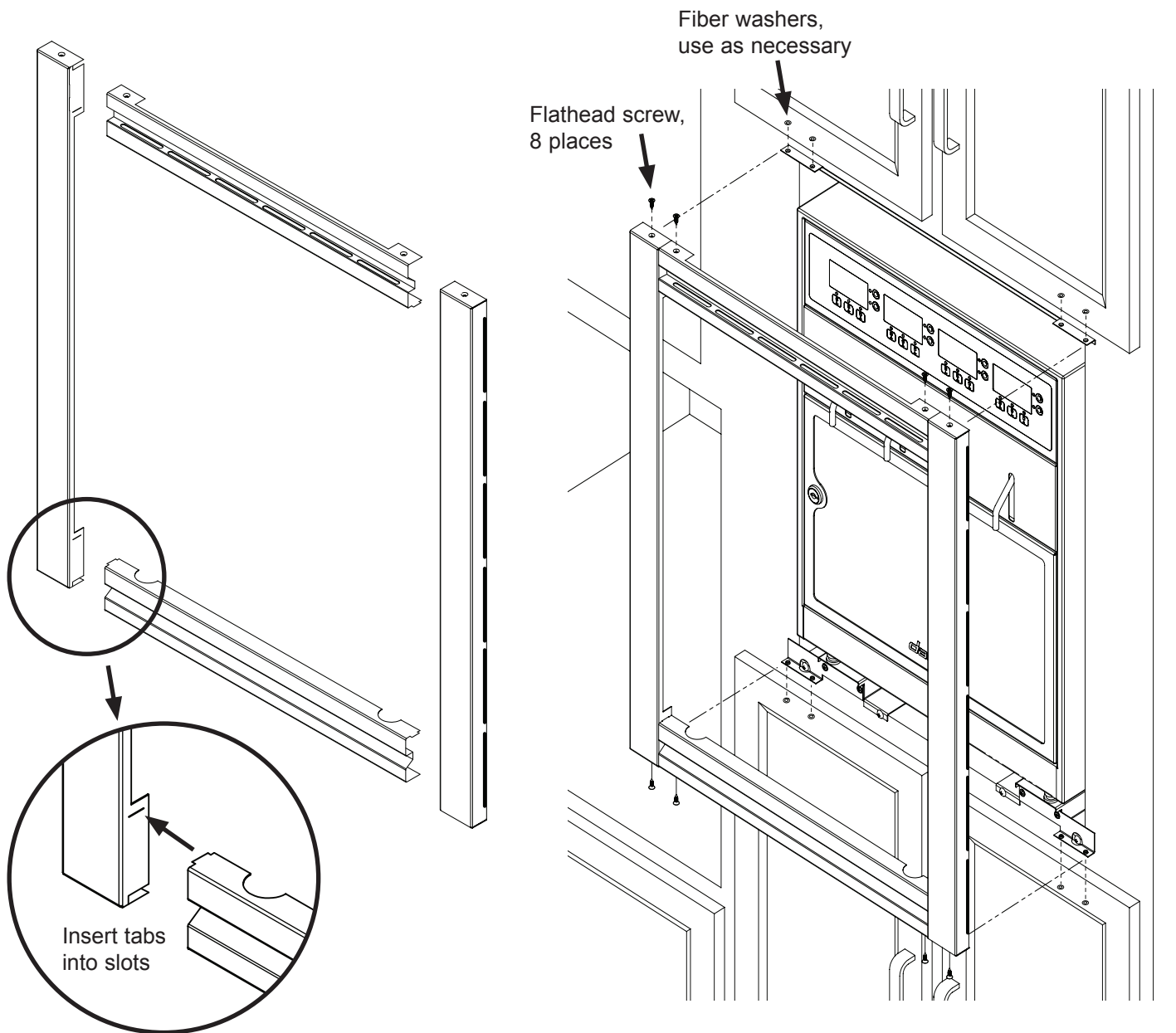
Foam Strip Installation - Step 14



System Installation - Steps 15 and 16

STEP 14 Assemble the front trim pieces as shown below. Insert the tabs on the top and bottom pieces into the slots on the side pieces.

STEP 15 Install the trim using the (8) flat head screws included with the kit. Insert the fiber washers between the trim and the mounting brackets as needed for a good fit.



Trim Assembly and Installation

dacor
The Life of the Kitchen.®