

WUgb 3400 vinidor

24" Wine Cabinet 2 Temperature Zone

The **WUgb 3400** offers a number of innovative solutions for wine storage. The Black Glass door has a touch to tip open feature eliminating the need for a handle. Controls are integrated into the insulation layer between the temperature zones, making it possible to set two different temperatures within the unit between **+41 °F and +68 °F**. Store red and white wines according to your preference - use the entire cabinet for one or store both, each at its optimum drinking temperature. Because the wine cabinet ventilates through the toe kick, no counter slots are necessary, and the cabinet can be integrated easily and elegantly into your kitchen. The glass doors with its high-quality wine experience before you even select a bottle. The LED interior light can be dimmed to provide an ambient atmosphere.

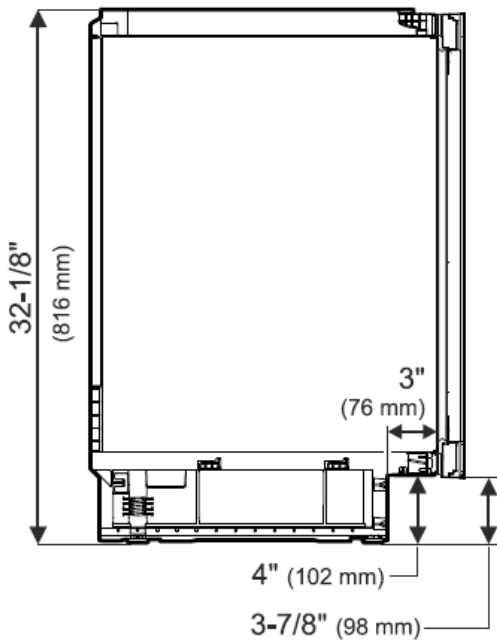


LED lightning

Capacity	34 Bordeaux Bottles
Volume	94 liters /3.3 cu. ft.
Climate rating	SN-T 10°C to 43°C(50°F to 110°F)
Power	115v at 60hz 2.5 amps / 300 watt
Shipping Weight	110 lbs. /50 kg
All Glass Door	Right Hand Reversible
	Black Framed Glass
	Touch to tip open
Bottle Shelves	3 Wooden Slide Out
Hinge Kit for Door Panel	9590195-00
Side by Side Kit	9901601-00
Black Glass Trim Strip	9901599-00
Charcoal filter	7434557-00

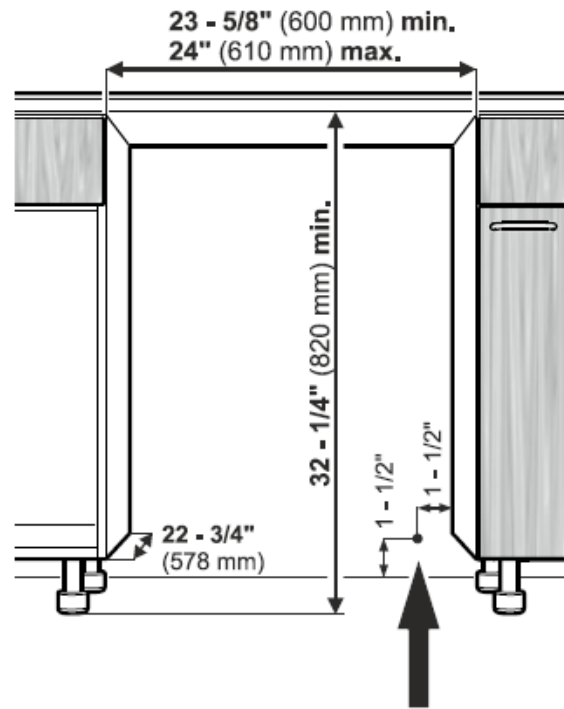
THIS IS A QUICK REFERENCE GUIDE FOR WUgb 3400, FOR COMPLETE INSTRUCTIONS, PLEASE REFER TO THE DESIGN GUIDE OR VISIT <http://www.liebherr-appliances.com>

Side view



Height when adjustable feet have been screwed in as far as they will go.

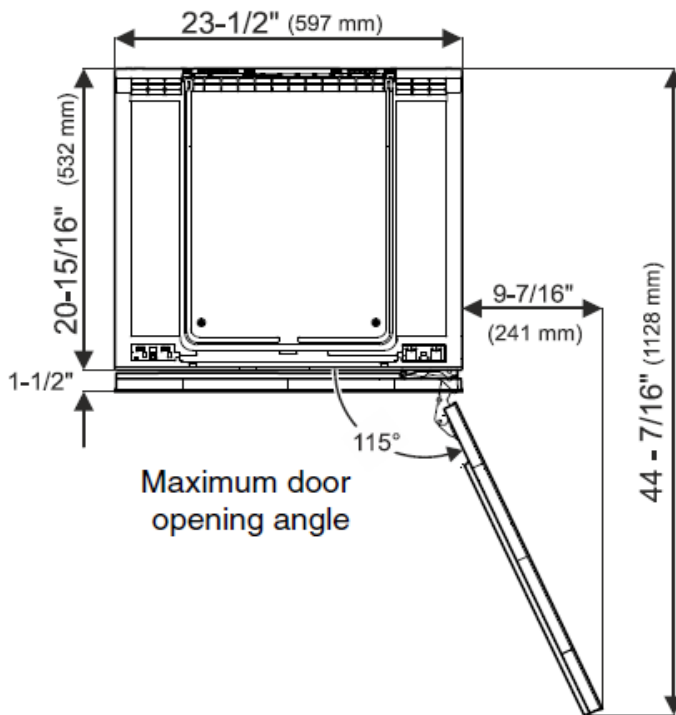
Maximum height adjustment = 2" (51 mm) to allow for a 6" (153 mm) toe kick.



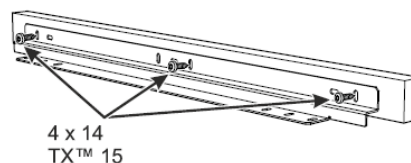
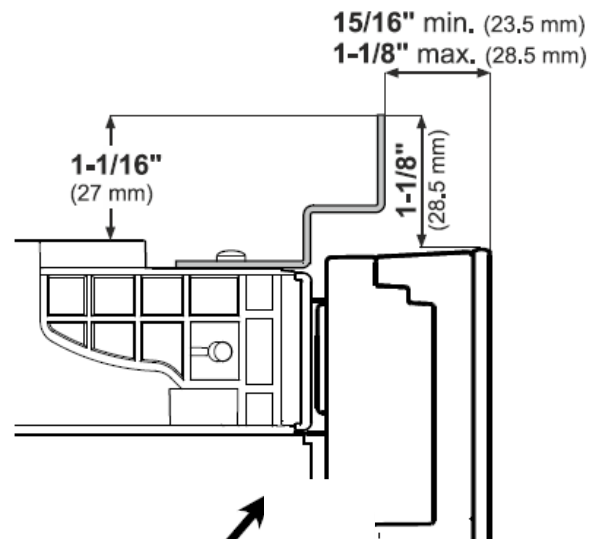
This is where the power cord extends from the back of the appliance.

Free length of the power cord = 78 - 3/4 Inch (2000 mm)

Top view



Maximum door opening angle



4 x 14 TX™ 15

