

**3024ZWC • 24" Wine Captain® Model • Modular 3000 Series**

**FEATURES & BENEFITS**



<b>PERFORMANCE</b>	<ul style="list-style-type: none"> <li>• Volume of 4.7 cu ft holds up to 43 wine bottles (750 ml)</li> <li>• Temperature range: 34°F - 65°F</li> <li>• U-Select® Control offers four distinct modes: Beverage: 34°F - 65°F, Sparkling Wine: 38°F - 50°F, White Wine: 45°F - 55°F, Red Wine: 55°F - 65°F</li> <li>• U-Select® Control with digital OLED display</li> <li>• Independently controlled dual-zones</li> <li>• Rubber mounted compressor virtually eliminates vibration</li> </ul>
<b>INTERIOR/EXTERIOR</b>	<ul style="list-style-type: none"> <li>• Black interior is illuminated with LED theater lighting that automatically turns off when the door is closed, or can be set to stay on for 3, 6, or 24 hours</li> <li>• Robust full-extension black vinyl coated wine racks allow for easy access and prevent bottles from shifting</li> <li>• Wine racks accommodate a variety of bottle shapes and sizes; the third and sixth racks allow for larger diameter wine and champagne bottles</li> <li>• LowE coated, argon gas filled triple thermopane glass door provides protection from harmful UV light</li> <li>• Standard commercial stainless steel handle is interchangeable with professional handle accessory</li> <li>• The door swing on non-lock models is field reversible, and is shipped right-hand hinged</li> <li>• Lock models must be ordered right-hand or left-hand hinged</li> </ul>
<b>INTEGRATION</b>	<ul style="list-style-type: none"> <li>• Robust, concealed and covered hinges with built-in door stop and closer</li> <li>• Adjustable grille can be shifted front-to-back and up-and-down</li> <li>• Integrated model requires 3/4" custom panel of your choice, or can accept U-Line Euro Style Handleless Stainless Panel Accessory (must be ordered separately)</li> <li>• Grille can accept an integrated toe-kick</li> <li>• Four independently adjustable leveling legs; rear legs are adjustable from the front for ease of installation</li> </ul>



STAINLESS FRAME



STAINLESS FRAME (LOCK)



STAINLESS FRAME (HANDLELESS PANEL)\*



INTEGRATED FRAME



INTEGRATED SOLID



STAINLESS SOLID (HANDLELESS PANEL)\*

**MODEL DETAILS**

Model	Voltage/Hz	Door Swing	Finish	Shipping Weight
U-3024ZWCS-00B	115 / 60	Field Reversible	Stainless Frame	160 lb
U-3024ZWCS-13B	115 / 60	Right-Hand Hinged	Stainless Frame (Lock)	160 lb
U-3024ZWCS-15B	115 / 60	Left-Hand Hinged	Stainless Frame (Lock)	160 lb
U-3024ZWCINT-00B	115 / 60	Field Reversible	Integrated Frame	157 lb
U-3024ZWCINT-60B	115 / 60	Field Reversible	Integrated Solid	150 lb

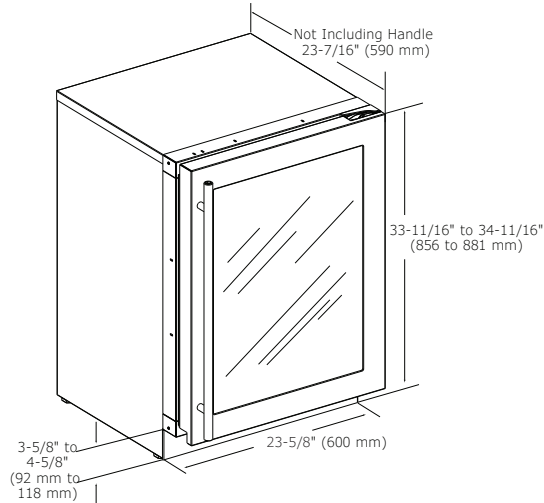
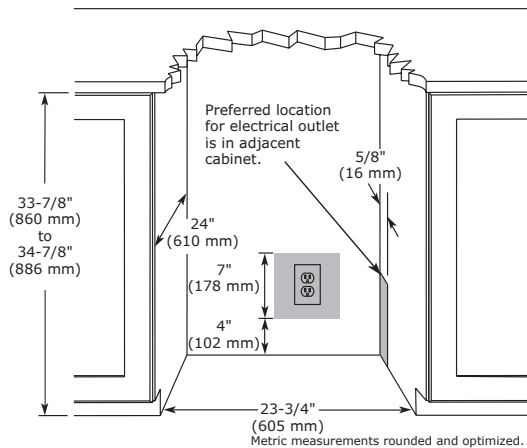
**ACCESSORIES**

Model	Description	Finish	Shipping Weight
80-54247-00	Professional Door Handle, 1 1/4" Diameter	Stainless	2 lb
80-54214-00	Commercial Door Handle, 7/8" Diameter	Stainless	2 lb
U-ESPF60S*	Euro Style Handleless Panel, 24" Frame	Stainless	8 lb
U-ESP60S*	Euro Style Handleless Panel, 24" Solid	Stainless	12 lb

\*Installs on integrated models.

**Modular 3000 Series • 24" Wine Captain® Model • 3024ZWC**
**DIMENSIONS**

Dimensions shown apply to all finishes, including Integrated (INT) models with ¾" integrated panel/frame installed.


**CABINET CUT-OUT**

**INSTALLATION NOTES**

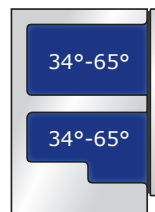
When installing adjacent to wall, ensure 2 ½" clearance on hinged side for 90° door opening, allowing ample room for door handle.

No additional clearance around sides, top or rear of unit is needed for ventilation.

Do not obstruct front grille air flow.

**SPECIFICATIONS**

Model	3024ZWC
Amps: Running	1.2
Capacity: Volume (cu ft)	4.7
Capacity: Wine Bottle (750 ml)	43
Control Type	U-Select®
Dimensions: Product Depth	23 7/16" / 590 mm
Dimensions: Product Height	33 11/16" / 856 mm
Dimensions: Product Width	23 5/8" / 600 mm
ENERGY STAR	N/A
Panel Height	30" / 762 mm
Panel Thickness	¾" / 20 mm
Panel Type	2 ¾" / 70 mm Frame Panel or Solid Panel (-60 suffix)
Panel Width	23 ½" / 595 mm
Product Weight: Max	150 lb
Refrigerant Type	R600a
Sabbath (Star K Certified)	Yes
Temperature Range	34°F - 65°F

**COOLING SYSTEM**

**ELECTRICAL REQUIREMENTS**

This unit requires a grounded, polarized 115 VAC, 60 Hz, 15 A power supply (normal household current).