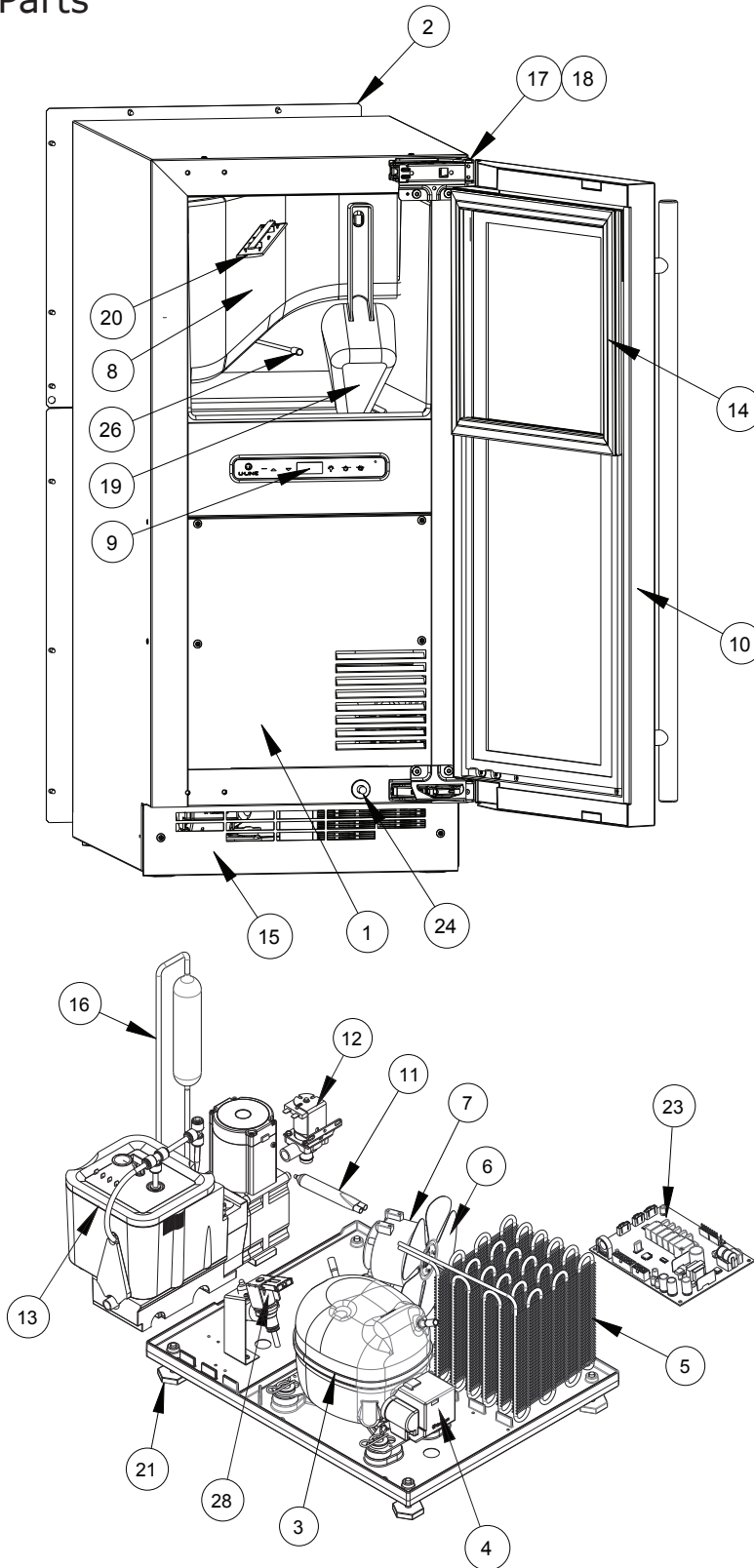


# USER GUIDE

## Parts

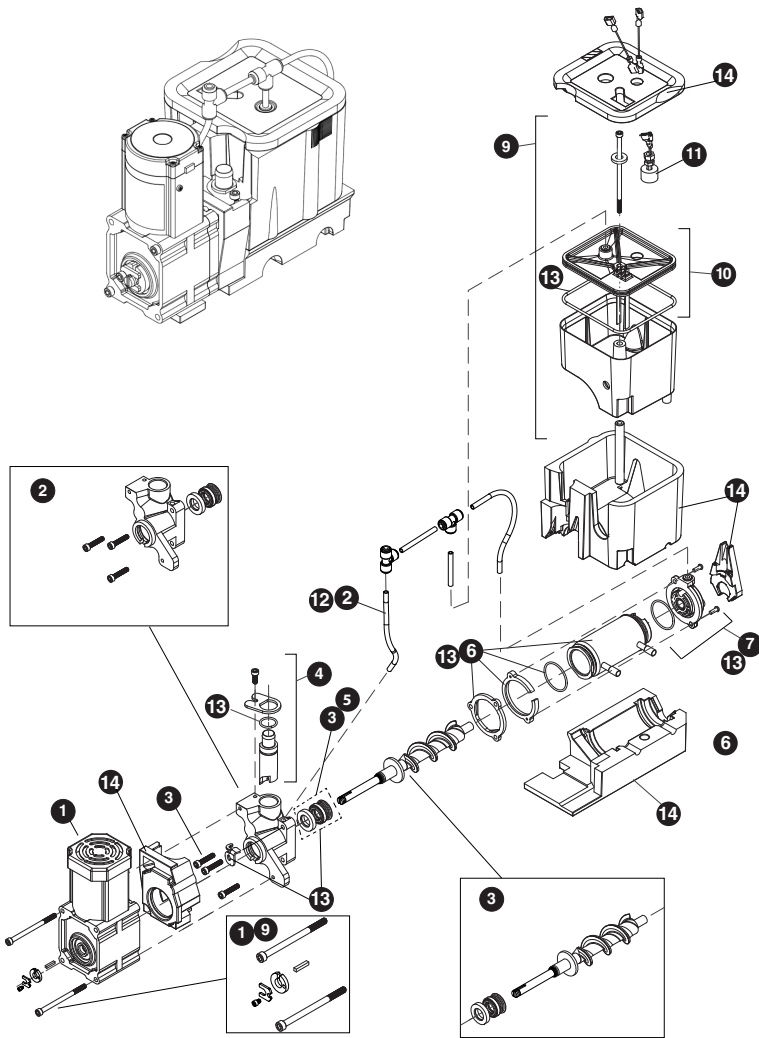


| UHNB115-SS01A |                              |                |
|---------------|------------------------------|----------------|
| 1             | ACCESS PANEL                 | 80-55369-00    |
| 2             | BACK PANEL                   | 80-55377-00    |
| 3             | COMPRESSOR                   | 80-54140-00    |
| 4             | COMPRESSOR ELECTRICALS       | 80-54141-00    |
| 5             | CONDENSER ASSEMBLY           | 80-55213-01    |
| 6             | CONDENSER FAN BLADE          | 80-54066-00    |
| 7             | CONDENSER FAN MOTOR          | 80-54138-00    |
| 8             | COVER W/HOOK                 | 80-54332-00    |
| 9             | DISPLAY MODULE               | 80-55214-00    |
| 10            | DOOR ASSEMBLY                | 80-55370-00    |
| 11            | DRIER                        | 80-54055-00    |
| 12            | DUMP VALVE                   | 80-55232-00    |
| 13            | EVAPORATOR ASSEMBLY**        | 80-55216-00    |
| 14            | GASKET                       | 80-55372-00    |
| 15            | GRILLE ASSEMBLY              | 80-55373-00    |
| 16            | HEAT EXCHANGER ASSEMBLY      | 80-55434-00    |
| 17            | HINGE ASSEMBLY               | 80-55374-00    |
| 18            | HINGE COVER                  | 80-54001-00    |
| 19            | ICE SCOOP                    | 80-54080-00    |
| 20            | LED LIGHT STRIP AND COVER    | 80-54000-00    |
| 21            | LEG LEVELERS (4)             | 80-54019-00    |
| 22            | NUGGET ICE CLEANER*          | ULANUGGETCLEAN |
| 23            | MAIN BOARD                   | 80-55398-00    |
| 24            | PLUNGER SWITCH NUG NUGGET    | 80-55375-00    |
| 25            | POWER CORD, NUGGET*          | 80-55376-00    |
| 26            | THERMISTOR                   | 80-54006-00    |
| 27            | WATER SUPPLY LINE KIT*       | ULAWATERHOOKUP |
| 28            | WATER VALVE, RESERVOIR/INLET | 80-55448-00    |
| 29            | WIRE HARNESS, BOARD*         | 80-55226-00    |

\*Not Pictured

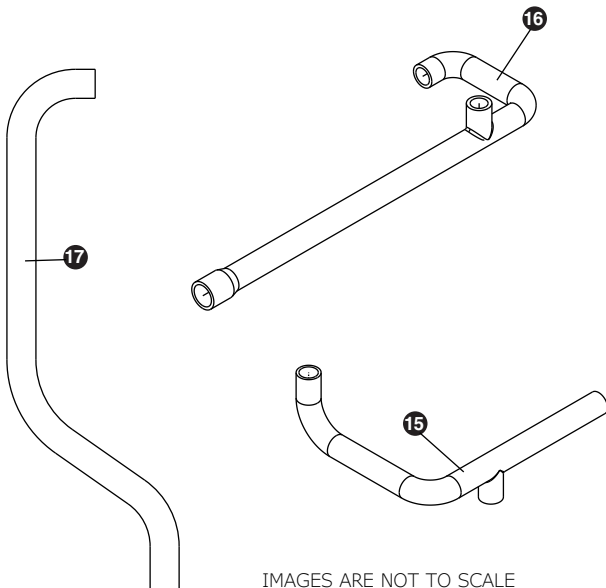
\*\*See next page for parts breakdown

## Parts



| <b>NUGGET ICE EVAPORATOR</b> |                                 |             |
|------------------------------|---------------------------------|-------------|
| 1                            | GEAR MOTOR ASSEMBLY             | 80-55371-01 |
| 2                            | MAIN HOUSING W/SEAL & SCREWS    | 80-55371-02 |
| 3                            | AUGER W/FRONT SEAL              | 80-55371-04 |
| 4                            | ICE COMPRESSION NOZZLE ASSY     | 80-55371-05 |
| 5                            | FRONT SEAL AND O-RING           | 80-55371-06 |
| 6                            | EVAPORATOR W/FLANGES & O-RING   | 80-55371-07 |
| 7                            | HOUSING, BUSHING                | 80-55371-08 |
| 8                            | HARDWARE KIT, GEAR MOTOR        | 80-55371-09 |
| 9                            | RESERVOIR & FLOAT COMPLETE ASSY | 80-55371-10 |
| 10                           | RESERVOIR LID & O-RING          | 80-55371-11 |
| 11                           | FLOAT SWITCH                    | 80-55538-00 |
| 12                           | WATER LINE, 12" SEGMENT         | 80-54722-01 |
| 13                           | WATER SEAL KIT                  | 80-55371-13 |
| 14                           | INSULATION KIT*                 | 80-55371-14 |
| 15                           | DUMP VALVE TUBE ASSY            | 80-55447-01 |
| 16                           | RESERVOIR DUMP VALVE TUBE ASSY  | 80-55371-20 |
| 17                           | ICE TRANSPORT TUBE ASSY         | 80-55371-19 |

\*Insulation foam pieces are sold only as a complete set



IMAGES ARE NOT TO SCALE