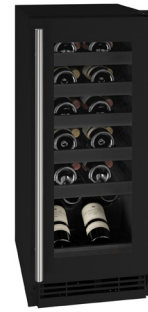




Stainless Frame



Black Frame



Integrated Frame



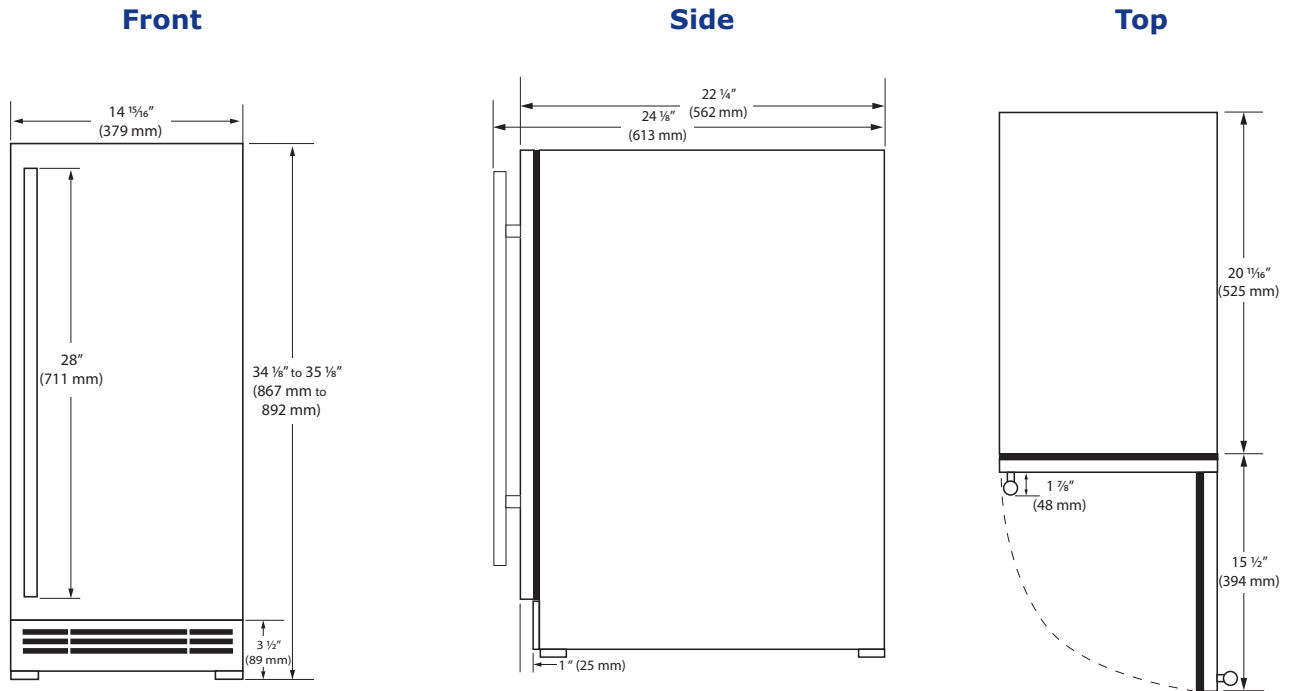
Integrated Solid

Key Features

- Convection cooling system provides a quick cool down and consistent temperature
- Black interior
- LowE coated, argon gas filled, dual thermopane glass door provides protection from harmful UV Light
- Stainless steel full-wrap door and handle (7/8" diameter)
- Stainless steel grille (stainless model), black metal grille (black & integrated models)
- Five, three-quarter extension, black wine racks
- Temperature range: 34°F to 60°F
- Digital touch pad control
- Bright white LED lighting
- Volume of 3.0 cu ft holds up to 24 wine bottles (750 ml)
- Field reversible door is shipped right-hand hinged
- Integrated model requires 3/4" custom door panel and handle (not supplied by U-Line)
- Built-in or freestanding
- Four adjustable leveling legs

Model Details

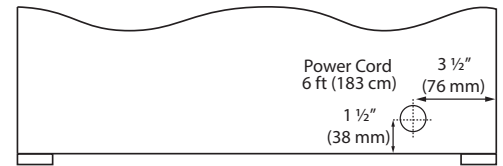
Model	Voltage/Hz	Door Swing	Finish	Shipping Weight
UHWC115-SG01A	115 / 60	Field Reversible	Stainless Frame	102 lb
UHWC115-IG01A	115 / 60	Field Reversible	Integrated Frame	97 lb
UHWC115-IS01A	115 / 60	Field Reversible	Integrated Solid	92 lb
UHWC115-BG01A	115 / 60	Field Reversible	Black Frame	102 lb



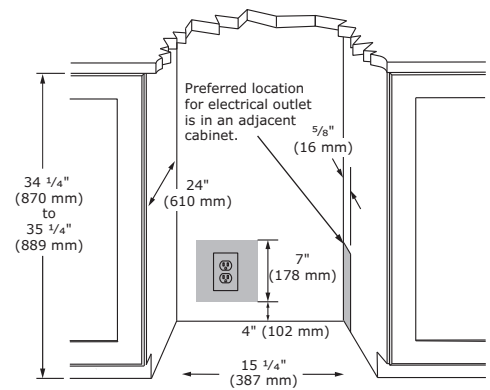
Specifications

Model	HWC115
Amps: Running (115 v)	1.2 A
Capacity: Wine Bottle (750 ml)	24
Capacity: Volume (cu ft)	3.0
Dimensions: Product Depth	22 1/4" / 562 mm
Dimensions: Product Height	34 1/8" / 867 mm
Dimensions: Product Width	14 15/16" / 379 mm
ENERGY STAR (Glass)	No
ENERGY STAR (Solid)	Tier 3
Energy Consumption: Avg. Per Year	285 kWh
Panel Height	30 1/4" / 768 mm
Panel Thickness	3/4" / 20 mm
Panel Type	2 3/4" / 70 mm Frame or Solid Panel
Panel Width	14 3/4" / 375 mm
Refrigerant Type	R600a (1.23 oz)
Sabbath (Star K Certified)	Yes
Temperature Range	34°F to 60°F

Back



Cabinet Cut-Out



Warranty

- 1 Year (parts & labor) / 5 year sealed system (parts)
- + **Additional 1 Year (parts & labor) warranty at no cost with product registration**

See complete warranty for details



Installation Notes

- 15" cutout width sufficient if door protrudes beyond adjacent cabinetry
- No additional clearance is needed for ventilation
- Do not obstruct front grille air flow

